

CHEM-FEED[®]

Municipal Skid Systems



Series CFPS

1.0	Introduction	4
<hr/>		
2.0	Features	4
<hr/>		
3.0	Specifications	5
<hr/>		
4.0	Dimensions	6
<hr/>		
5.0	Mounting a pump to the system	8
<hr/>		
6.0	Mounting the skid system to floor/wall	9
<hr/>		
7.0	Component Identification and Typical Operation - Single Skid	10
<hr/>		
	7.1 How to Operate the Chem-Feed® Skid System - Single Skid	11
<hr/>		
8.0	Component Identification and Typical Operation - Duplex Skid	12
<hr/>		
	8.1 How to operate the Chem-Feed Skid System - Duplex Skid	13
<hr/>		
9.0	Component Identification and Typical Operation - Triplex Skid	14
<hr/>		
	9.1 How to operate the Chem-Feed Skid System - Triplex Skid	15
<hr/>		
10.0	Chem-Feed® Skid System Matrix	19
<hr/>		
11.0	Warranty	18
<hr/>		

READ THE INSTRUCTION MANUAL PRIOR TO INSTALLATION AND USE.



+1 (714) 893 - 8529



sales@blue-white.com



customerservice@blue-white.com



5300 Business Drive
Huntington Beach, CA 92649

1.0 Introduction

Congratulations on purchasing the Chem-Feed® Engineered Plastic Skid System. The system is designed with the necessary components to safely inject liquid chemical into a system.

Your Chem-Feed® Engineered Plastic Skid System is pre-configured based on your selections via the matrix or when designed with our engineering staff.

Please Note: Your new Chem-Feed® System has been pressure tested at the factory with clean water for a minimum of four hours before shipping. You may notice trace amounts of clean water in the system. This is part of our stringent quality assurance program at Blue-White Industries.



CAUTION. Skid is provided only for the application and use for which it is intended. User assumes responsibility for proper operation and maintenance. User is responsible for ensuring skid components are compatible with the chemicals being used. Contact the factory if there are any questions regarding use or compatibility.

2.0 Features

Chem-Feed® Engineered Skid Systems were designed and engineered using solid modeling tools for superior piping installation and easy component maintenance. Custom engineered universal mounting blocks and pre-machined mounting slots provide for easy component servicing and replacement. Each factory built and tested system can include the following components:

- **Pressure Relief Valve** - Protects the system from over-pressurization, 5-150 psi setting range, 150 psi maximum system pressure. Ships on all systems.
- **Check Valve** - Protects the user from back-flow during pump maintenance. Ships on all systems.
- **Flow Verification Sensor** - MS6 accurately verifies chemical feed. Exclusive to Blue-White®. (Optional)
- **Inlet Y Strainer** - Protects system components from damage cause by dirt or debris.
- **Calibration Cylinder** - Confirm pump output under system conditions. Specify cylinder volumes from 1.6 GPH to 64 GPH.
- **Pulsation Dampener** - Protect the system components from pulsation. Recommended for diaphragm pump systems. Not recommended for peristaltic pump systems. (Optional)
- **Pressure Gage with Guard** - Isolate and protect the system pressure gage. Specify pressure ranges from 0-30 psi, 0-100 psi, or 0-200 psi. (Optional)
- **Pressure Switch with Guard** - Activate or de-activate equipment when pressure in a piping system either rises or falls to a set pressure. (Optional)
- **Back-Pressure Valve** - Protects the user from siphon or back-flow, and maintains consistent pressure on pump. Typically used on diaphragm pump systems. (Optional)
- **Terminal Box** - Pump signal wiring is pre-wired to NEMA box for easy access and connection to facility wiring. (Optional)
- **Electrical Outlet Box** - Plug pumps into convenient weather resistant box.
- **Mounting Pads** - Stainless Steel mounting pads to secure Chem-Feed® System to a solid surface. Designed for floor mount or wall mount.
- **Corrosion Resistant** - Chem-Feed® frame constructed of chemically resistant polyethylene.
- **Drip Tray** - To collect chemicals and prevent spills.
 - Single Skid Tray 2.2 Gal (8.4L)
 - Dual Skid Tray 2.9 Gal (11.4L)
 - Triplex Skid Tray 3.2 Gal (12.46L)

3.0 Specifications

Items listed below are standard available items and ship with most configurations. Your system may be customized with components not listed below.

Skid	Chemically resistant polyethylene structure
Pump (sold separately)	FLEXFLO® M1, M2, M3 or M4 peristaltic pumps CHEM-FEED® MD1, C2, C3 or MD3 diaphragm pumps
Piping	1" Inlet & 1/2" outlet PVC schedule 80 (optional CPVC, PVDF, Chem Proline®)
Seals	FKM seals (optional EPDM)
Tubing (T)	Reinforced braided PVC, 200 psi max, certified NSF 51 / NSF 61. The pump inlet and outlet flexible tubing connections are terminated to half unions and secured to the barbed fitting with stainless steel clamps. (Optional: 1/2" PTFE, 1/4" PE, 1/4" PTFE)
Tubing Clamps	300 series SS band, 400 series SS screw
Unions (U)	PVC body, schedule 80 (optional CPVC, PVDF)
Ball Valves (V)	True unions, Vented, PVC body, PTFE shaft bearings and seats (optional CPVC, PVDF)
Pressure Relief Valve (PRV)	PVC body, PTFE primary diaphragm seal. Non-wetted components: EPDM secondary seal, zinc plated steel spring, stainless steel external hardware, HDPE pressure adjustment screw. Infinite adjustment from 10-150 psi. (optional CPVC, PVDF)
Calibration Cylinder (CC)	PVC body, PVC end caps, 1/2" PVC pipe outlet vent Available volumes: 3 GPH (100ml), 8 GPH (250ml), 16 GPH (500ml), 32 GPH (1000ml), 64 GPH (2000ml), and 132 GPH (4000mL)
Pulsation Dampener (PD)	CPVC body, 10 cubic inch volume (optional PVDF)
Gauge W/Guard (G)	Gauge: liquid filled stainless steel with blowout plug, bottom mount, 1/4" NPT threads. Available pressure ranges: 0-30 psi, 0-100, psi, 0-200 psi. Guard: PVC body, temperature compensated oil filled. (optional CPVC, PVDF)
Check Valve (CV)	PVC body. Cracking pressure: 1.0-1.5 psi Maximum working pressure: inlet = 150 psi, back = 100 psi (optional CPVC, PVDF)
Flow Indicator (F)	Machined cast acrylic, PVC connections, ceramic ball, PVDF ball stop, PVC half unions.
Flow Sensor (MS6)	PVDF and PEEK Body. Available Flow Ranges: 10 - 5,000 ml/min, 100-10,000 ml/min
Y Strainer (S)	PVC body, 1/32" Mesh (optional CPVC, PVDF)
Pressure Switch (PSH)	316 Stainless Steel
Back-Pressure Valve (BPV)	PVC body, 0-150 PSI Range (optional CPVC, PVDF)
Universal Mounting Blocks	PA 12
Pump Extended Mounting Brackets	316 Stainless Steel
Skid Mounting Foot Pads	316 Stainless Steel
Mounting Hardware	304 Stainless Steel - Wall or Floor mounting acceptable
Maximum Working Pressure	150 psig (10.3 bar)
Operating Temperature	14 °F to 115 °F (-10 °C to 46 °C)

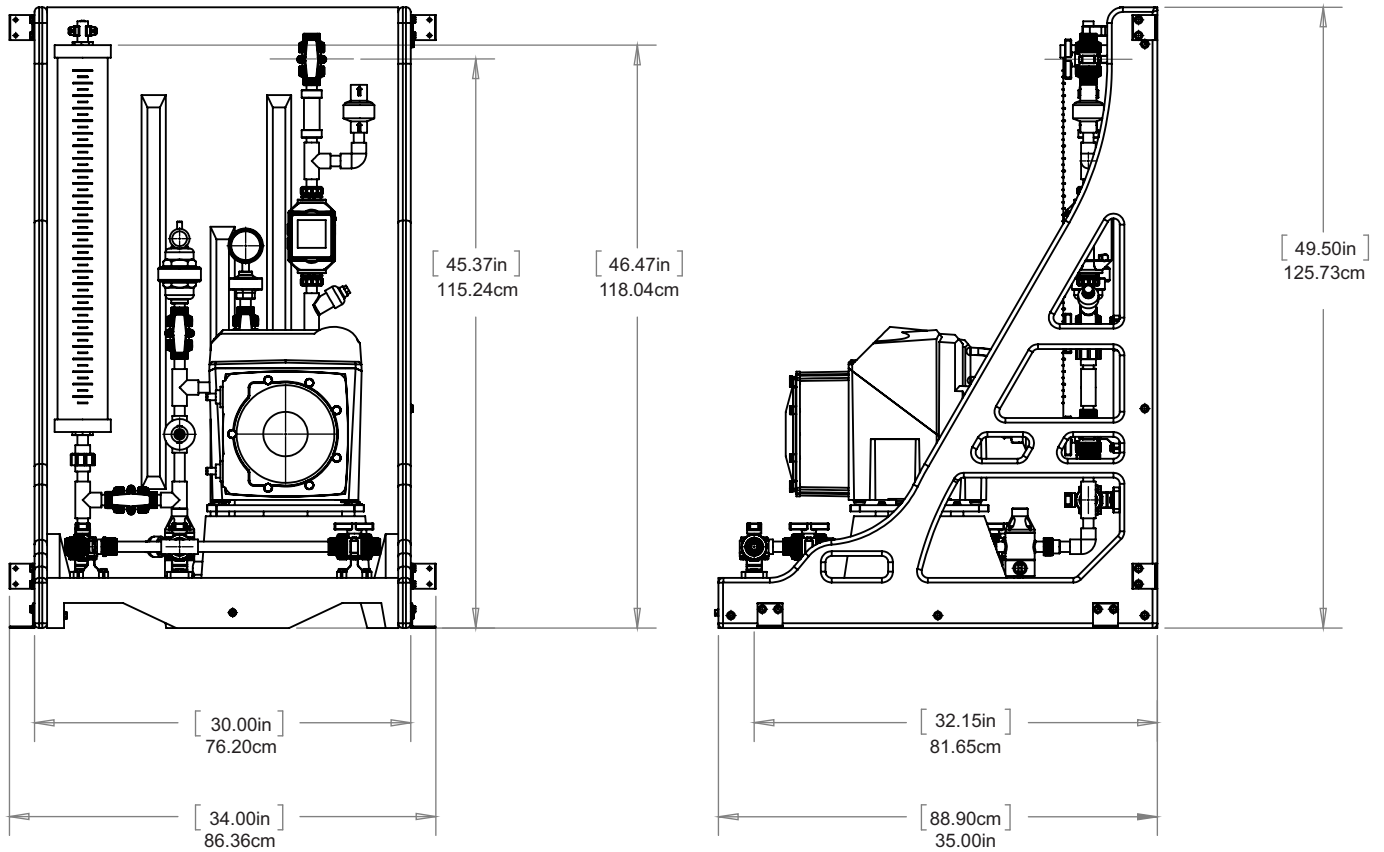
Approximate Shipping Weight

Single Pump System	Standard: 80 lb. (36 Kg) - With Mounted Pump: 140 lb. (64 Kg)
Dual Pump System	Standard: 120 lb. (54 Kg) - With Mounted Pumps: 240 lbs (109 Kg)
Triplex Pump System	Standard: 200 lb. (91 Kg) - With Mounted Pumps: 380 lbs (172 Kg)

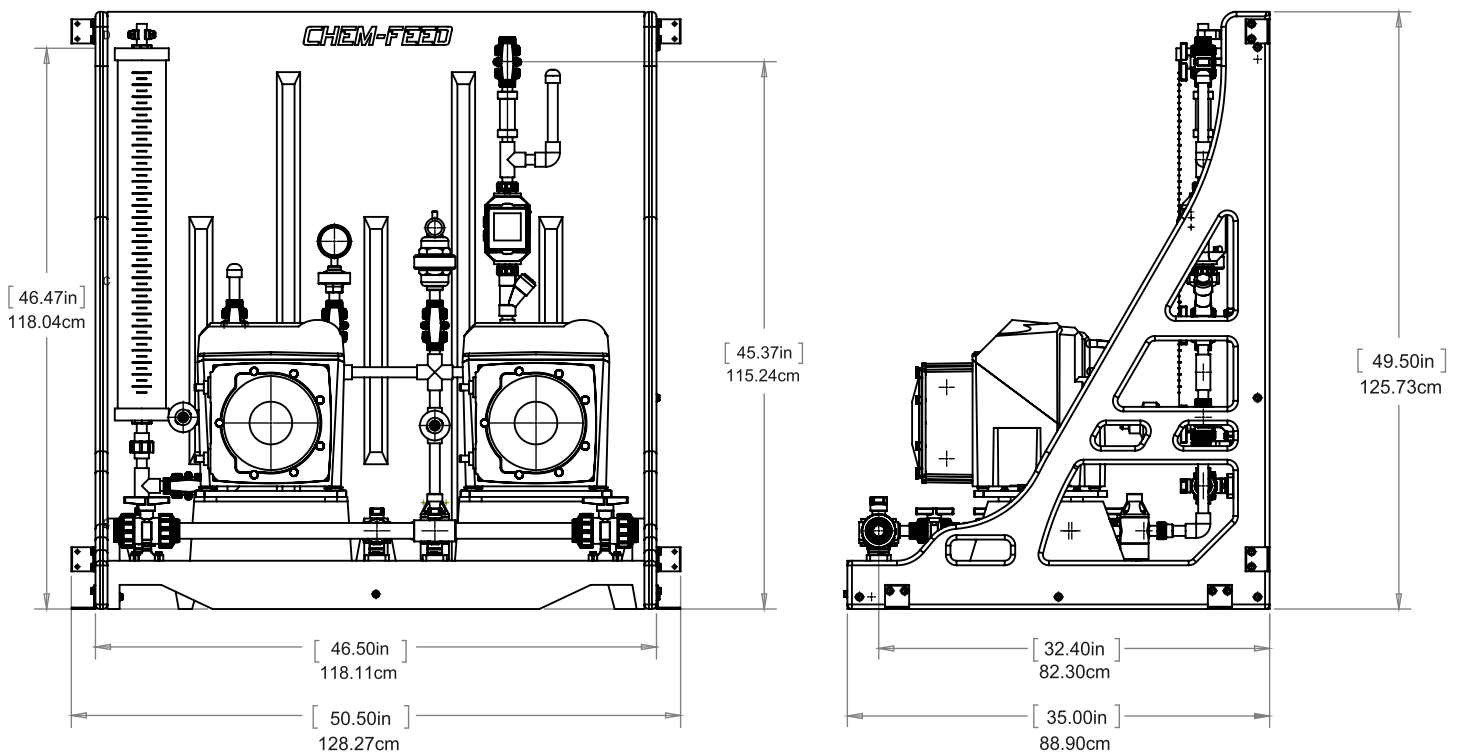
4.0 Dimensions

Your Chem-Feed System may be designed differently from drawings below. However, the dimensions shown below remain the same no matter your configuration.

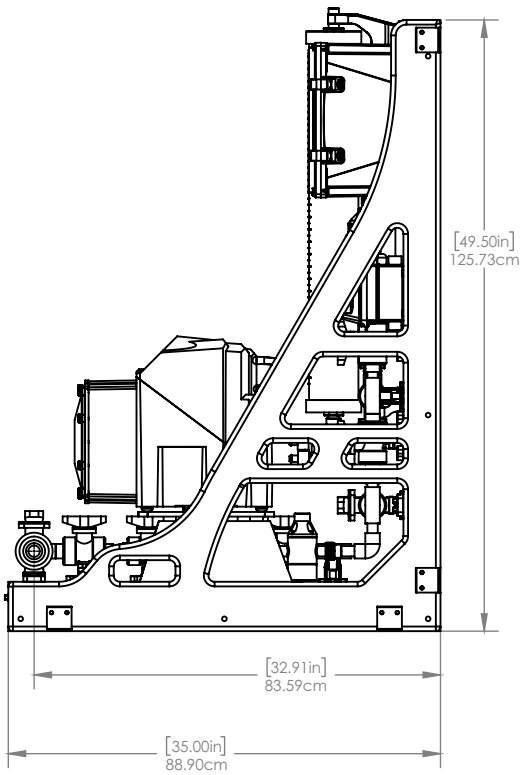
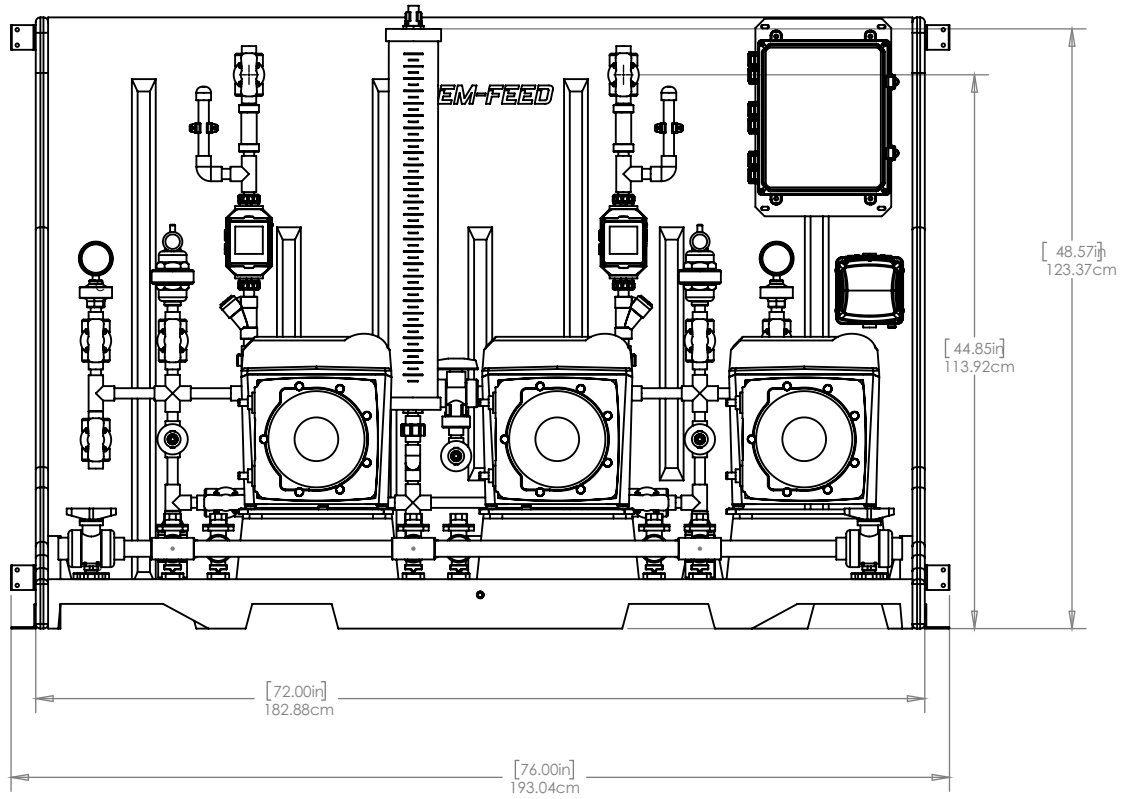
Single Pump System:



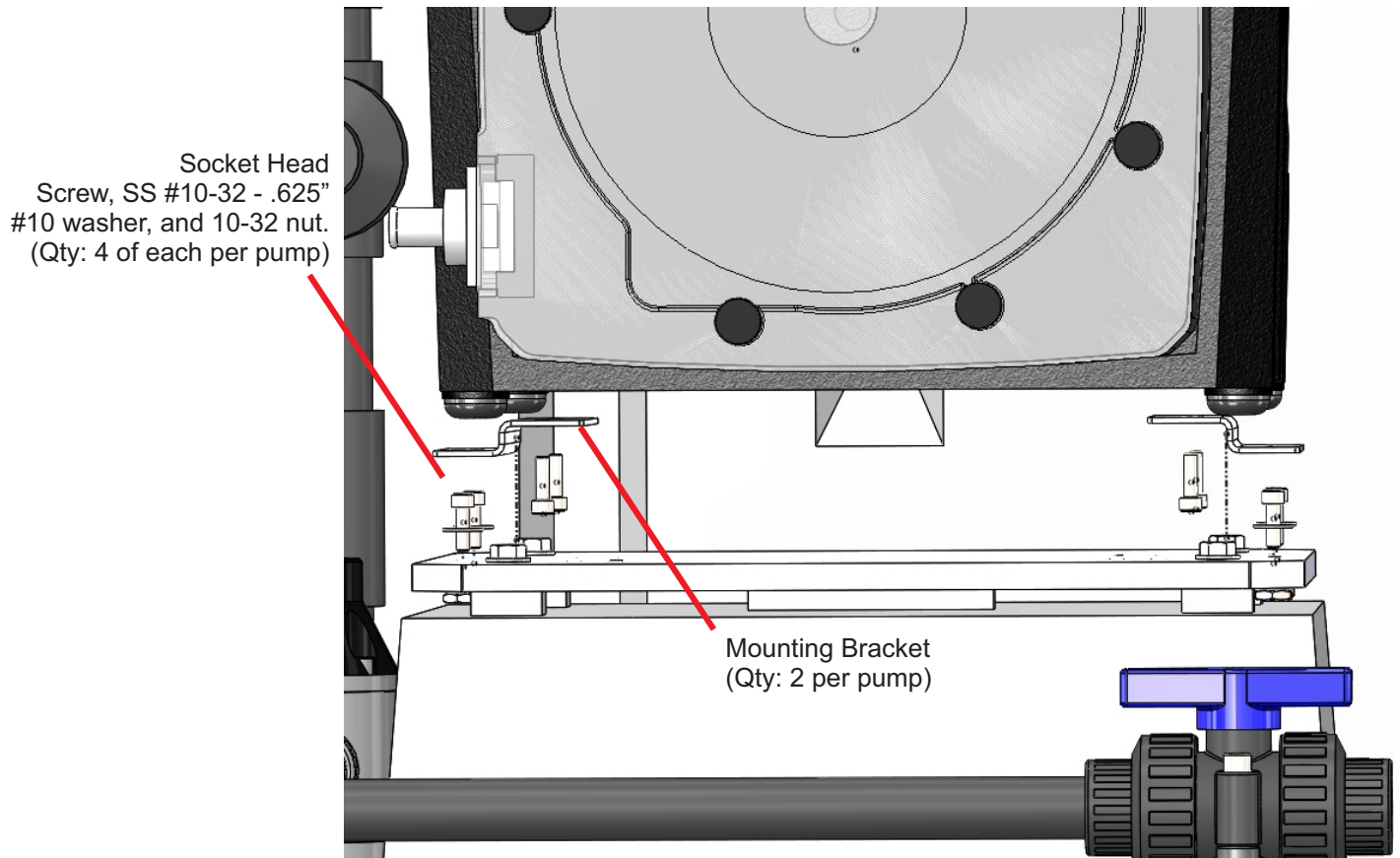
Dual Pump System:



Triple Pump System:



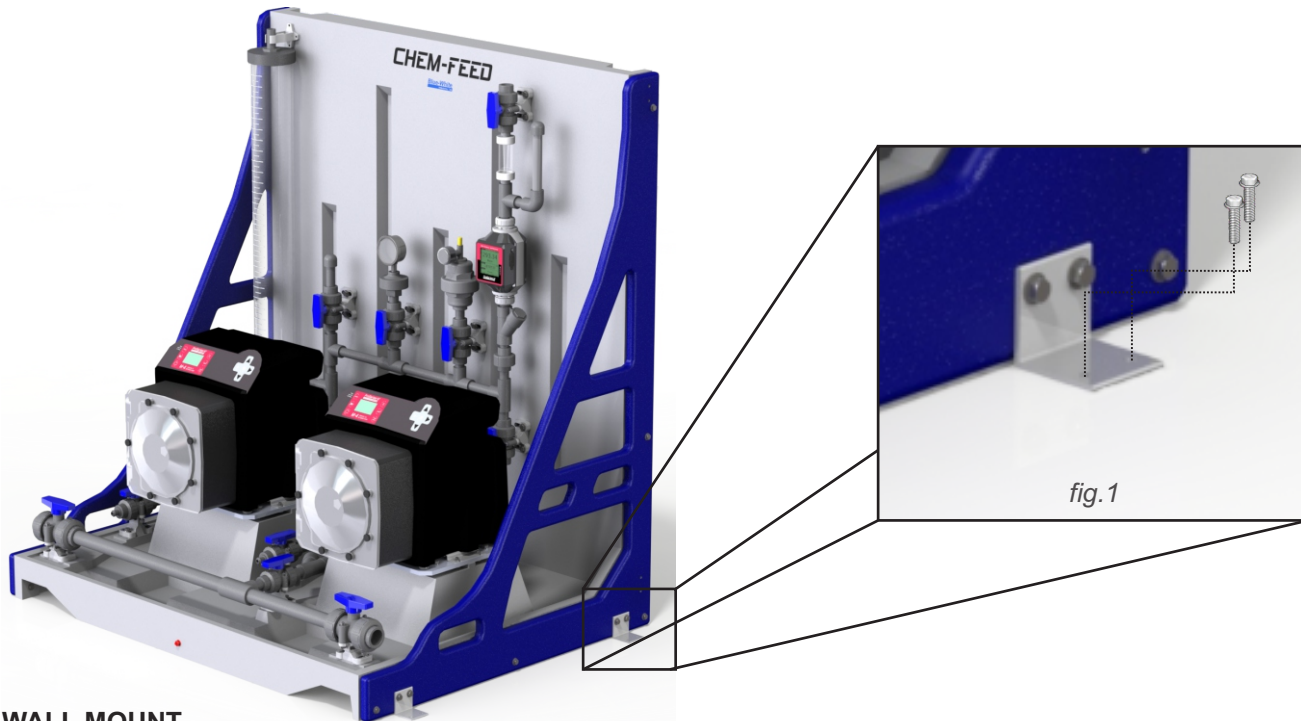
5.0 Mounting Pump to the Chem-Feed® System - Single and Dual System



6.0 Mounting the Chem-Feed® System - Single and Dual System

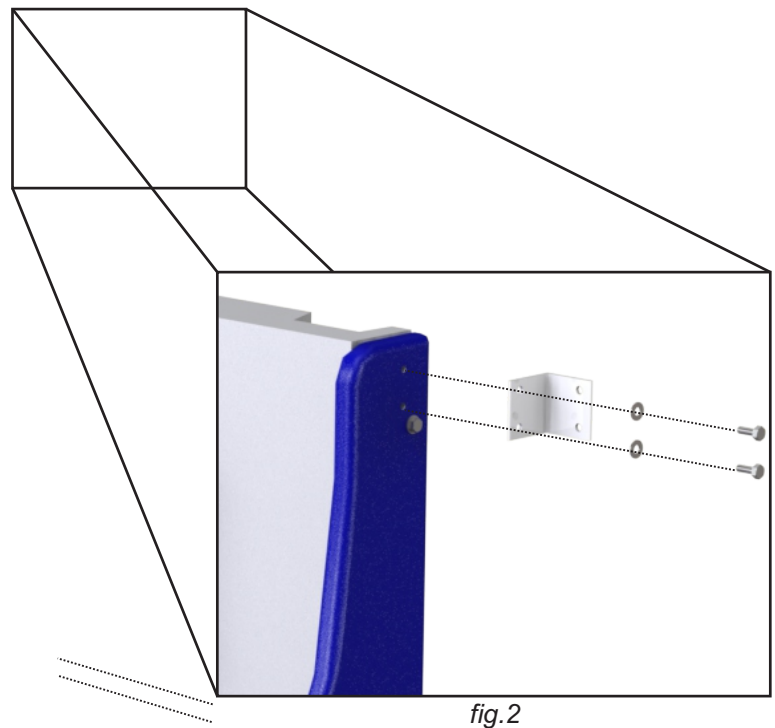
FLOOR MOUNT

The Skid system is shipped with the mounting brackets ready for floor mounting. Mount the skid system to the floor using eight 1/4-20 Bolts (see *fig. 1*) through the mounting brackets.

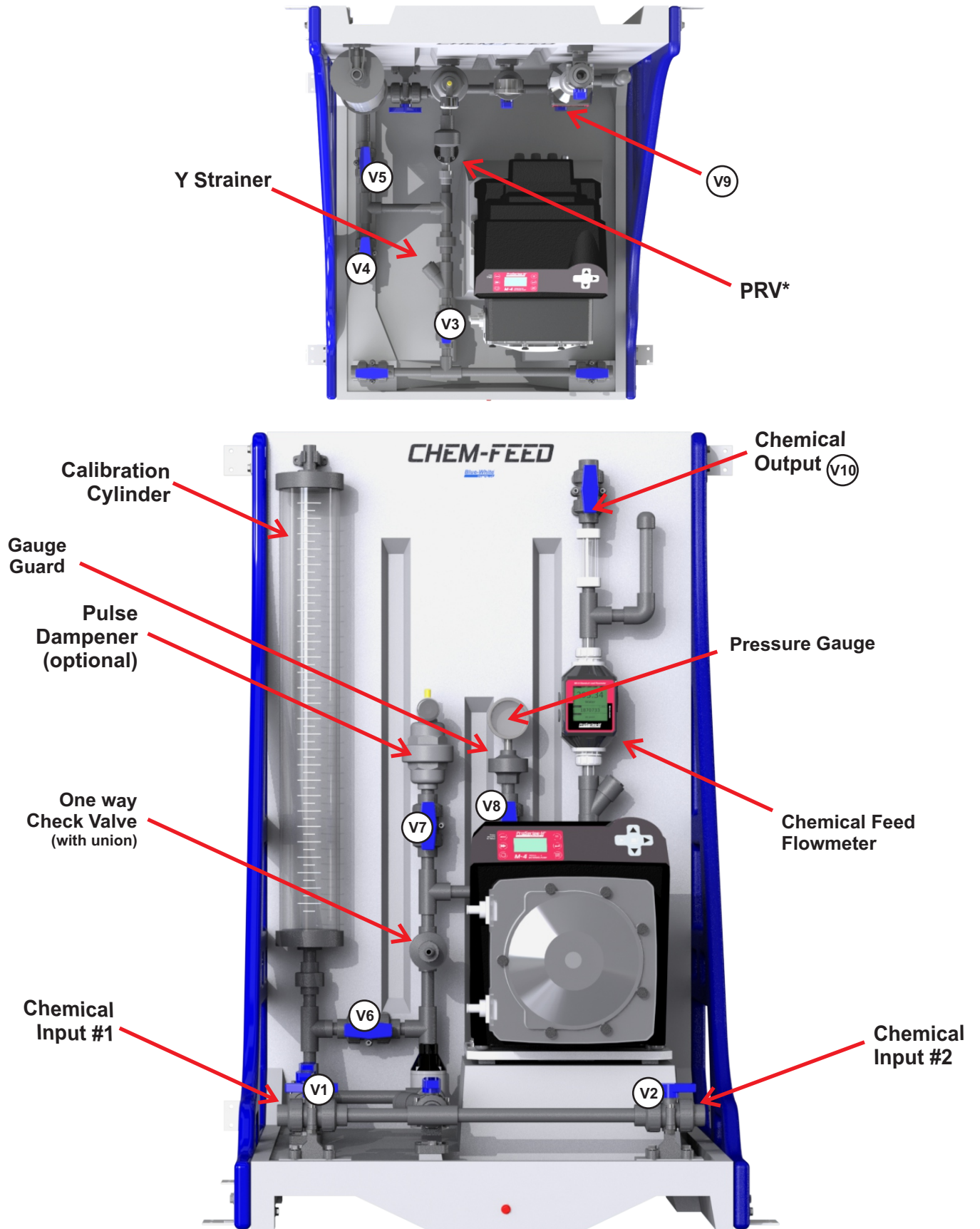


WALL MOUNT

Remove the mounting brackets using a 1/4" wrench or socket. Install those same mounting brackets in the vertical position on the sides of the skid system. Mount the skid system to the wall using eight 1/4-20 Bolts (see *fig. 2*) through the mounting brackets.



7.0 Component Identification and Typical Operation - Single Pump Skid



* PRV = Pressure Relief Valve preset at 50psi

7.1 How To Operate the Chem-Feed® Skid System - Single Pump Skid

Connections:

Connect chemical solution into either Inlet 1 or inlet 2. (V-1 or V-2)

Connect chemical treated system to outlet. (V-10)

To Pump chemical solution into system.

Open ball valve V-1 or V-2, depending on your inlet side.

Open ball valve V-3 and V-4.

Close ball valve V-5, V-6, and V-9.

Open ball valve V-10 to inject chemical solution into your system.

Start pump.

To calibrate pump / system.

Open ball valve V-1 or V-2, depending on your inlet side.

Open ball valve V-3, V-4, and V-6.

Close ball valve V-5, V-9, and V-10.

Start pump and run until calibration cylinder is filled to top calibration line. Do not leave pump unattended during this operation.

Stop pump once calibration cylinder is filled.

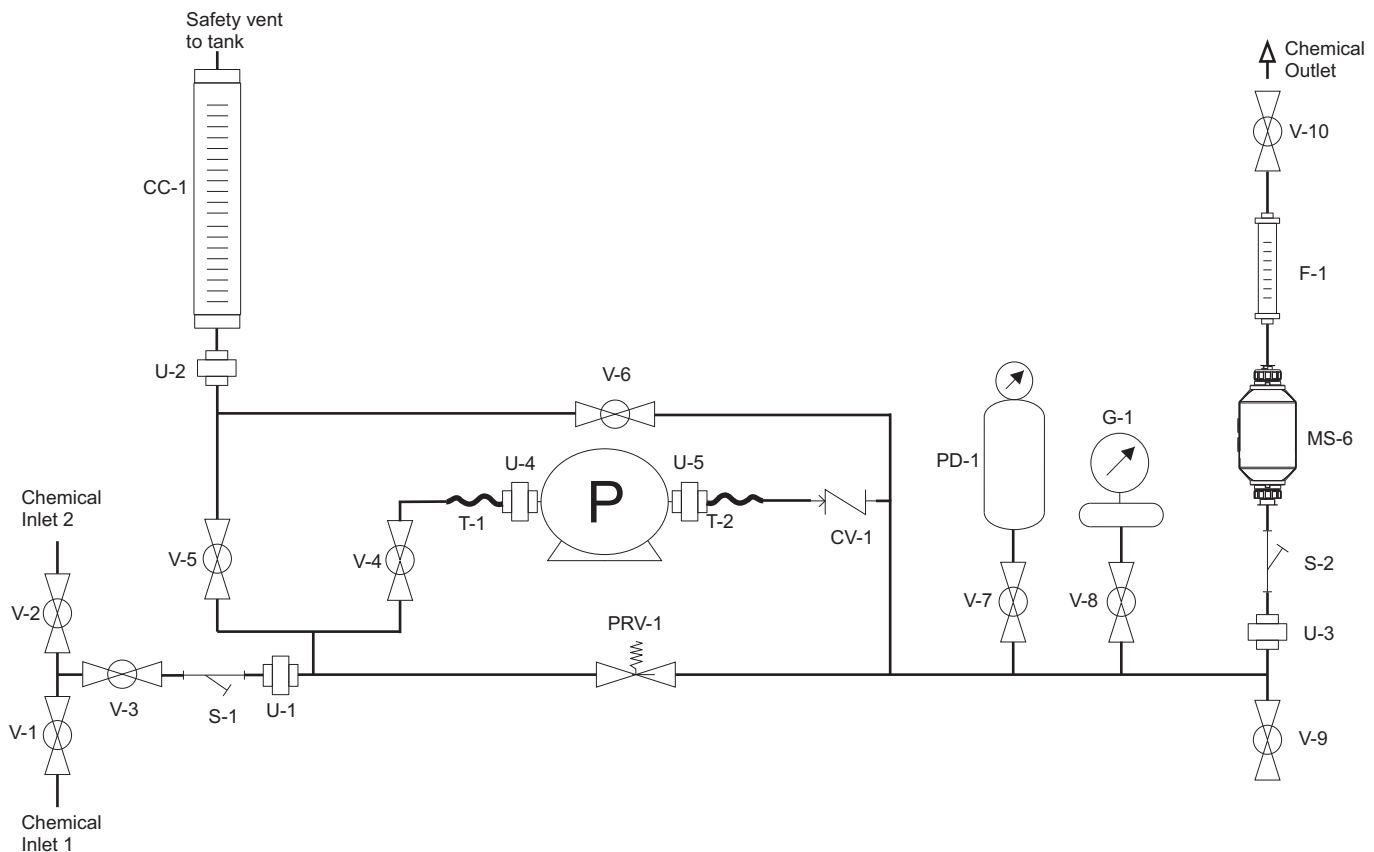
Close ball valves V-1, V-2, and V-6.

Open ball valve V-5 and V-10 to inject chemical solution into your system.

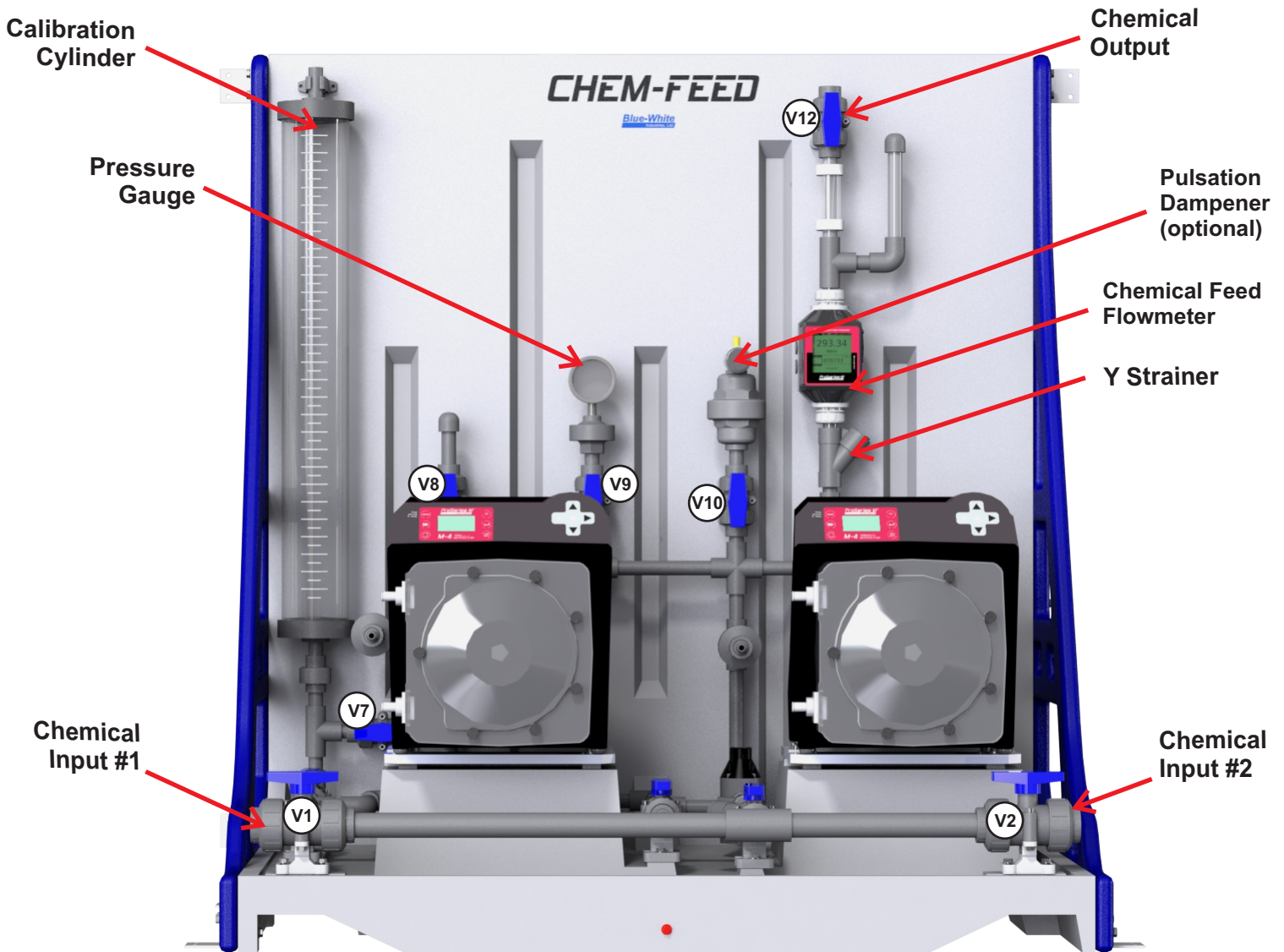
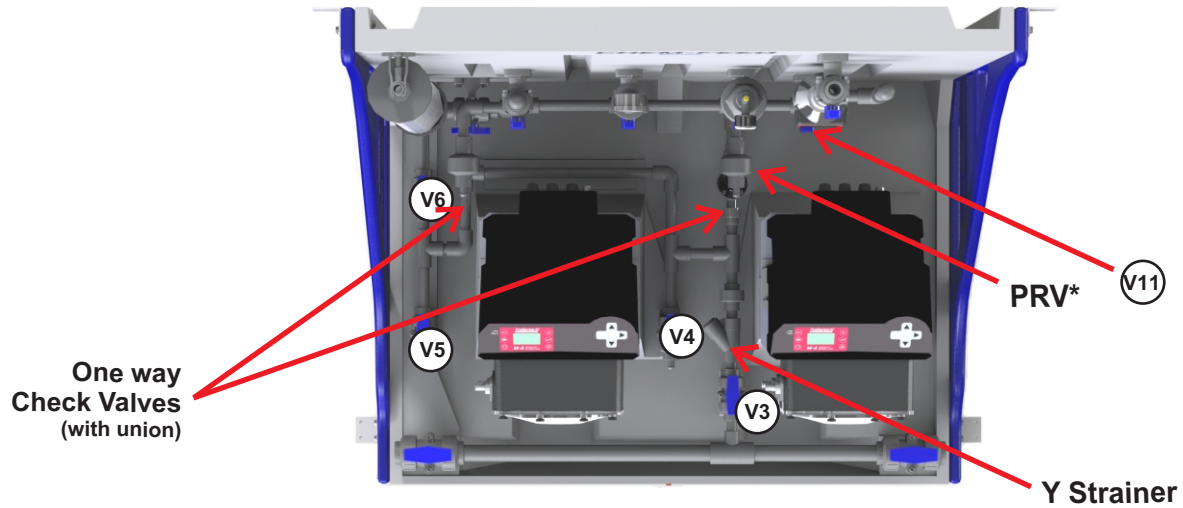
Note the chemical solution level in the calibration cylinder.

To calibrate pump at maximum speed into your system, Press the prime button on pump. The prime mode runs the pump at maximum speed for 60 seconds (1 minute) on all Blue-White® ProSeries-M pumps.

To calibrate pump at your desired feed rate, you must pre-program your pump speed before running this routine. Please refer to the instruction manual for your pump to adjust feed rate and additional calibration instructions.



8.0 Component Identification and Typical Operation - Dual Pump Skid



* PRV = Pressure Relief Valve preset at 50psi

8.1 How To Operate the Chem-Feed® Skid System - Dual Pump Skid

Connections:

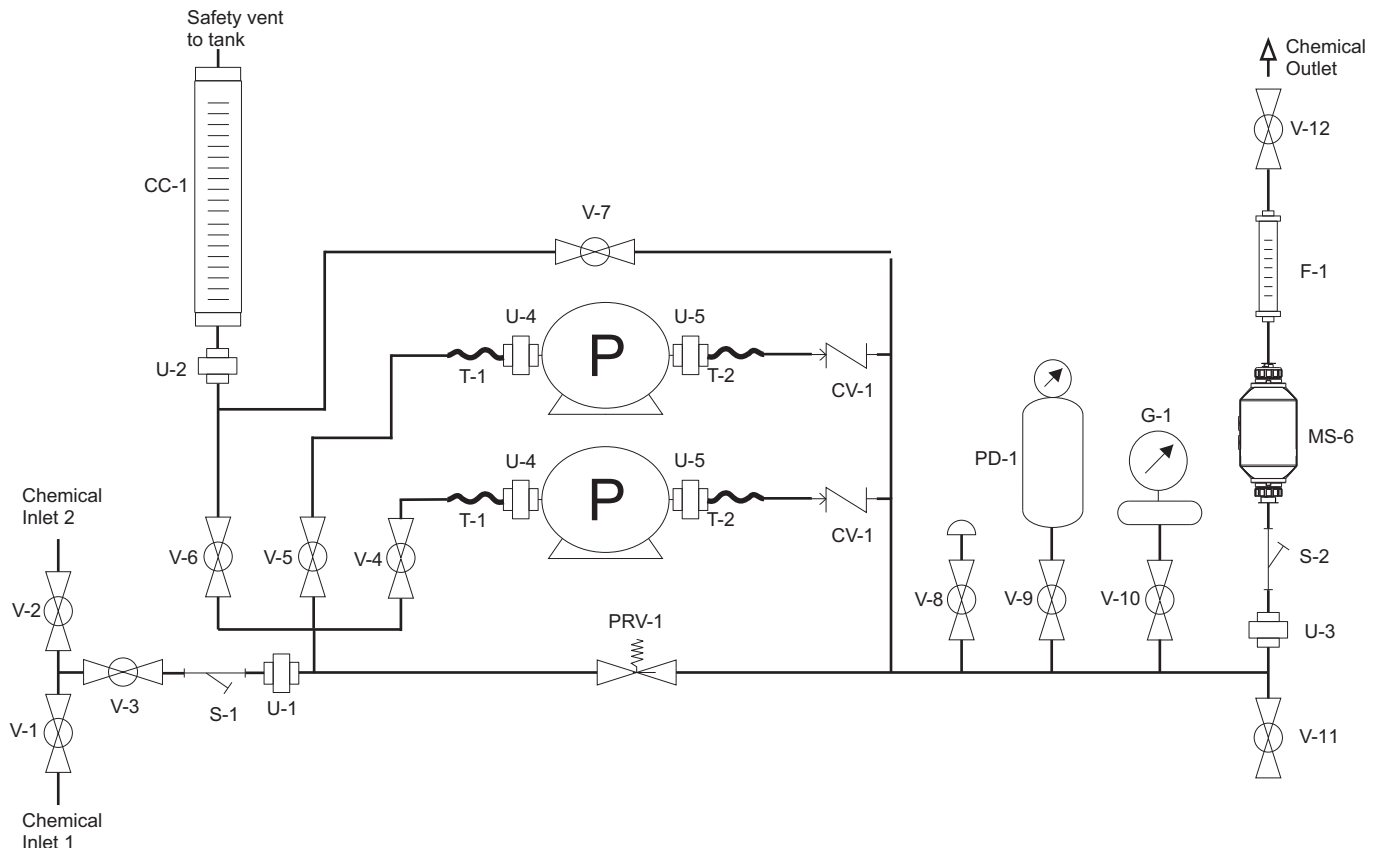
- Connect chemical solution into either Inlet 1 or inlet 2. (V-1 or V-2)
- Connect chemical treated system to outlet. (V-11)

To Pump chemical solution into system.

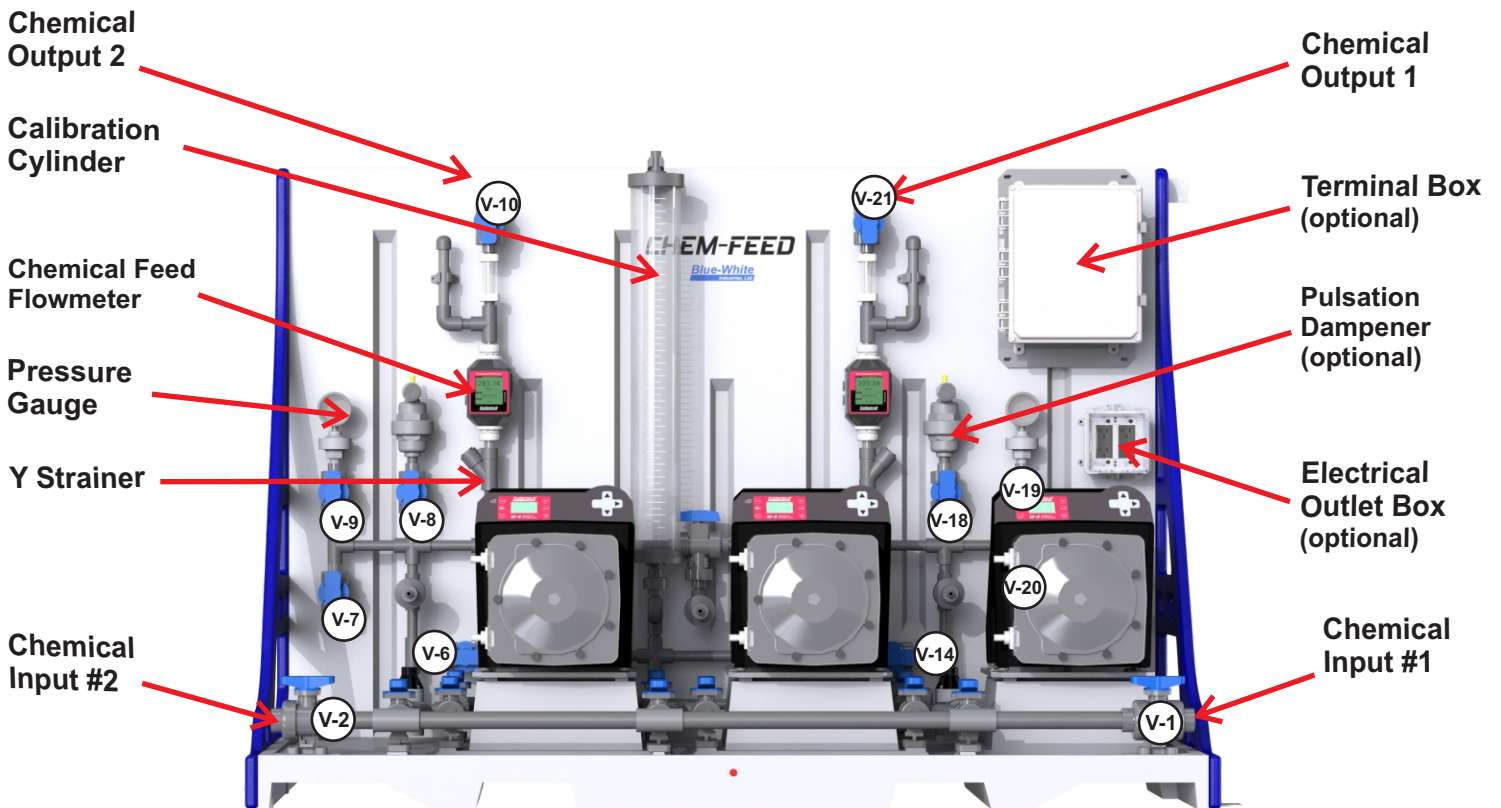
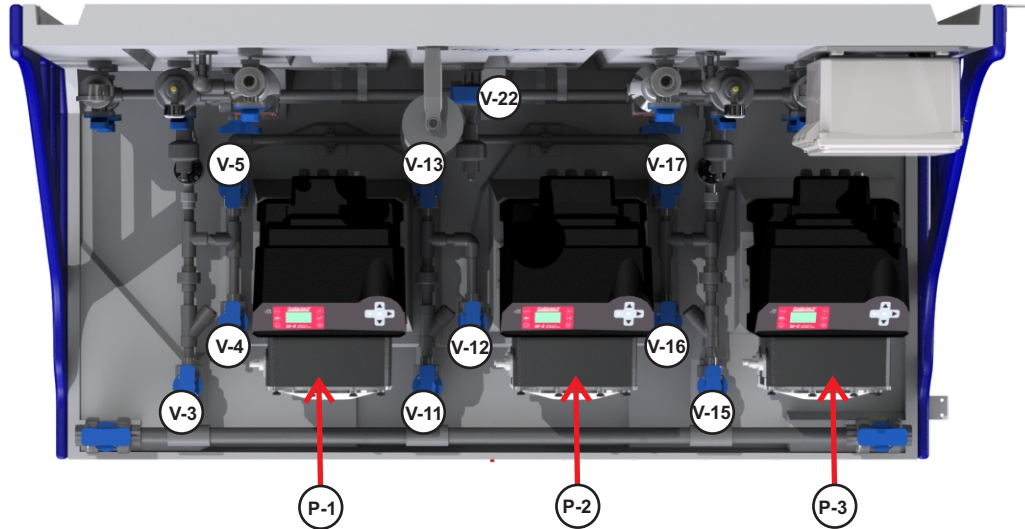
- Open ball valve V-1 or V-2, depending on your inlet side.
- Open ball valve V-3
- Close ball valve V-6, V-7, and V-11.
- Open ball valve V-4 and / or V-5. Depending on your system design.
- Open ball valve V-12 to inject chemical solution into your system.
- Start pump(s).

To calibrate pump(s) / system.

- Open ball valve V-1 or V-2, depending on your inlet side.
- Open ball valve V-3.
- Open ball valve V-4 or V-5, depending on which pump you're calibrating.
- Close ball valve V-6, V-11, and V-12.
- Open ball valve V-7. This open valve will direct chemical into calibration cylinder.
- Start pump and run until calibration cylinder is filled to top calibration line. Do not leave pump unattended during this operation!
- Stop pump once calibration cylinder is filled.
- Close ball valves V-1, V-2, and V-7.
- Open ball valve V-4 or V-5, depending on which pump you're calibrating.
- Open ball valve V-6 and V-12 to inject chemical solution into your system.
- Note the chemical solution level in the calibration cylinder.
- To calibrate pump at maximum speed into your system, Press the prime button on pump. The prime mode runs the pump at maximum speed for 60 seconds (1 minute) on all Blue-White® pumps.
- To calibrate pump at your desired feed rate, you must pre-program your pump speed before running this routine. Please refer to the instruction manual for your pump to adjust feed rate and additional calibration instructions.



9.0 Component Identification and Typical Operation - Triple Pump Skid



* PRV = Pressure Relief Valve preset at 50psi

9.1 How To Operate the Chem-Feed® Skid System - Triple Pump Skid

Connections:

Connect chemical solution into either Inlet 1 or inlet 2. (V-1 or V-2)

Connect chemical treated system to outlet. (V-11)

To Pump chemical solution into system.

Open ball valve V-1 or V-2, depending on your outlet side.

Open ball valve V-3, V-11, and V-15

Close ball valve V-5, V-13, and V-17.

Open ball valve V-10 and V-21 to inject chemical solution into your system.

Start pump P-1 and P-3.

To calibrate Pump 1

Open ball valve V-1 or V-2, depending on your inlet side

Open ball valve V-3 and V-4

Close ball valves V-5, V-7, V-10, V-13, V-14, V-17, V-20, and V-21

Open ball valve V-6. This open valve will direct chemical into calibration cylinder

Start P-1 pump and run until calibration cylinder is filled to top calibration line.

Do not leave pump unattended during this operation!

Stop pump once calibration cylinder is filled.

Close ball valves V-1, V-2, and V-6.

Open ball valve V-5 and V-10.

Note chemical solution level in the calibration cylinder.

To calibrate pump at maximum speed into your system, Press the prime button on pump P-1. The prime mode runs the pump at maximum speed for 60 seconds (1 minute) on all Blue-White ProSeries pumps.

To calibrate pump at your desired feed rate, you must pre-program your pump speed before running this routine.

Please refer to the instruction manual for your pump to adjust feed rate and additional calibration instructions.

To calibrate pump 2

Open ball valve V-1 or V-2, depending on your inlet side

Open ball valve V-11 and V-12

Close ball valves V-5, V-7, V-10, V-13, V-17, V-20, and V-21

Open ball valve V-6 or V-14. Close the ball valve that was not chosen to be open.

Open ball valve V-22 in the direction of the open ball valve V-6 or V-14. This open valve will direct chemical into calibration cylinder.

Start P-2 pump and run until calibration cylinder is filled to top calibration line.

Do not leave pump unattended during this operation!

Stop pump once calibration cylinder is filled.

Close ball valves V-1, and V-2.

Close the previously chosen ball valve V-6 or V-14.

Open ball valve V-12

Open ball valve V-22 in the direction of chemical outlet 1 or 2.

Open ball V-10 if ball valve V-22 was set to flow to chemical outlet 1. Open ball valve V-21 if ball valve V-22 was set to flow to chemical outlet 2

To calibrate pump at maximum speed into your system, Press the prime button on pump P-2. The prime mode runs the pump at maximum speed for 60 seconds (1 minute) on all Blue-White ProSeries pumps.

To calibrate pump at your desired feed rate, you must pre-program your pump speed before running this routine.

Please refer to the instruction manual for your pump to adjust feed rate and additional calibration instructions.

To calibrate pump 3

Open ball valve V-1 or V-2, depending on your inlet side

Open ball valve V-15 and V-16

Close ball valves V-5, V-7, V-10, V-13, V-14, V-17, V-20, and V-21

Open ball valve V-14. This open valve will direct chemical into calibration cylinder

Start P-1 pump and run until calibration cylinder is filled to top calibration line.

Do not leave pump unattended during this operation!

Stop pump once calibration cylinder is filled.

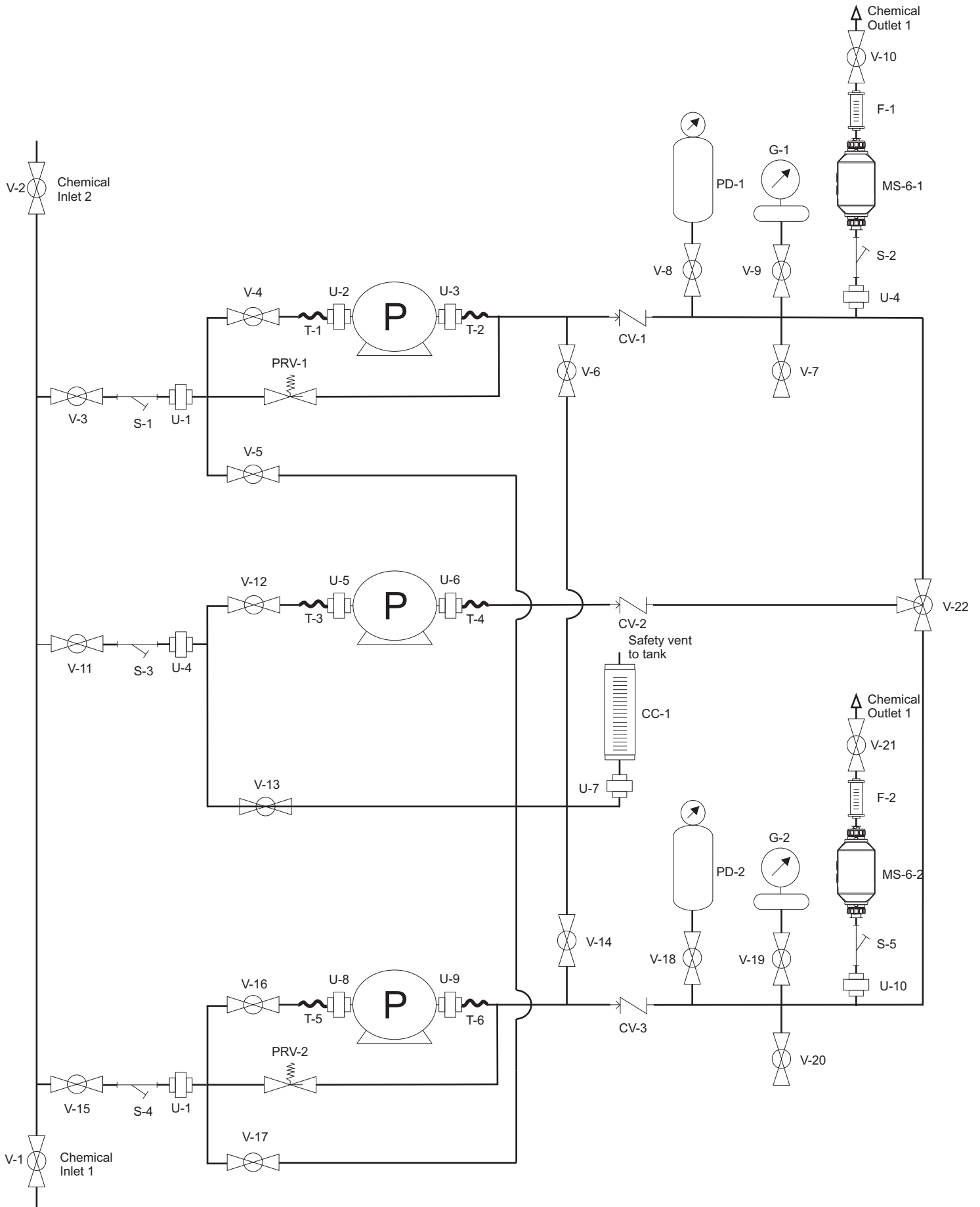
Close ball valves V-1, V-2, and V-14.

Open ball valve V-17 and V-21.

Note chemical solution level in the calibration cylinder.

To calibrate pump at maximum speed into your system, Press the prime button on pump P-3. The prime mode runs the pump at maximum speed for 60 seconds (1 minute) on all Blue-White pumps.

To calibrate pump at your desired feed rate, you must pre-program your pump speed before running this routine. Please refer to the instruction manual for your pump to adjust feed rate and additional calibration instructions.



10.0 WARRANTY

10.1 Limited Warranty

The skid is a quality product and is warranted for 24 months from date of purchase (proof of purchase is required). The skid will be repaired or replaced at our discretion. The pumps have a separate warranty and are not covered under this warranty.

10.2 What is not Covered

- > **The pump(s). Refer to pump warranty page for information.**
- > **Removal, or re-installation, and any related labor charge.**
- > **Freight to the factory.**
- > **Skids that have been tampered with, or in pieces.**
- > **Damage to the skids that results from misuse, carelessness (such as chemical spills) on the enclosure, abuse, lack of maintenance, or alteration that is out of Blue-White's control.**
- > **Skids damaged by faulty wiring, power surges, or acts of nature.**

Blue-White does not assume responsibility for any loss, damage, or expense directly or indirectly related to or arising out of the use of its products. Failure must have occurred due to defect in material or workmanship and not as a result of operation of the product other than in normal operation as defined in the pump operation manual.

The warranty status is determined by the product serial label and the sales invoice or receipt. The serial label must be on the product and be legible. The warranty status of the skid will be verified by Blue-White or a factory authorized service center.

10.3 Obtaining In-Warranty Repair

Contact the factory to obtain a RMA (Return Material Authorization) number. Carefully pack the system as instructed. Please enclose a brief description of the problem as well as the original invoice or sales receipt, or copy showing the date of purchase. Prepay all shipping costs. COD shipments will not be accepted. Warranty service must be performed by the factory or an authorized service center. Damage caused by improper packaging is the responsibility of the sender. When In-Warranty repair or replacement is completed, the factory pays for return shipping to the dealer or customer.

10.4 Product Use Warning

Blue-White products are manufactured to meet the highest quality standards in the industry. Each product instruction manual includes a description of the associated product warranty and provides the user with important safety information. Purchasers, installers, and operators of Blue-White products should take the time to inform themselves about the safe operation of these products. In addition, Customers are expected to do their own due diligence regarding which products and materials are best suited for their intended applications. Blue-White is pleased to assist in this effort but does not guarantee the suitability of any particular product for any specific application as Blue-White does not have the same degree of familiarity with the application that the customer/end user has. While Blue-White will honor all of its product warranties according to their terms and conditions, Blue-White shall only be obligated to repair or replace its defective parts or products in accordance with the associated product warranties. **BLUE-WHITE SHALL NOT BE LIABLE EITHER IN TORT OR IN CONTRACT FOR ANY LOSS OR DAMAGE WHETHER DIRECT, INDIRECT, INCIDENTAL, OR CONSEQUENTIAL, ARISING OUT OF OR RELATED TO THE FAILURE OF ANY OF ITS PARTS OR PRODUCTS OR OF THEIR UNSUITABILITY FOR A GIVEN PURPOSE OR APPLICATION.**

10.5 Chemical Resistance Warning

Blue-White offers a wide variety of wetted parts. Purchasers, installers, and operators of Blue-White products must be well informed and aware of the precautions to be taken when injecting or measuring various chemicals, especially those considered to be irritants, contaminants or hazardous. Customers are expected to do their own due diligence regarding which products and materials are best suited for their applications, particularly as it may relate to the potential effects of certain chemicals on Blue-White products and the potential for adverse chemical interactions.

Blue-White tests its products with water only. The chemical resistance information included in this instruction manual was supplied to Blue-White by reputable sources, but Blue-White is not able to vouch for the accuracy or completeness thereof. While Blue-White will honor all of its product warranties according to their terms and conditions, Blue-White shall only be obligated to repair or replace its defective parts or products in accordance with the associated product warranties.

BLUE-WHITE SHALL NOT BE LIABLE EITHER IN TORT OR IN CONTRACT FOR ANY LOSS OR DAMAGE, WHETHER DIRECT, INDIRECT, INCIDENTAL, OR CONSEQUENTIAL, ARISING OUT OF OR RELATED TO THE USE OF CHEMICALS IN CONNECTION WITH ANY BLUE-WHITE PRODUCTS.

11.0 Chem-Feed® Skid System Matrix

Model Number Matrix

CFPS-1-M

CHEM-FEED® Simplex Skid System Matrix - Municipal

CFPS-1 Single pump system - PE structure

Inlet/Outlet

A	Single Inlet / Single Outlet
X	None, Skid Panel Only

Piping/Unions

A	PVC	B	CPVC	C	PVDF	D	Chem Proline®
----------	-----	----------	------	----------	------	----------	---------------

Seals

V	FKM	E	EPDM
----------	-----	----------	------

Tubing Connections (Verify tubing connection matches pump outlet when ordering)

A	1/2" ID PVC Braided	B	1/2" ID PTFE	C	1/4" ID PE	D	1/4" ID PTFE
----------	------------------------	----------	-----------------	----------	---------------	----------	-----------------

Calibration Column

A	128 GPH (4000 mL) PVC	F	3 GPH (100 mL) PVC
B	64 GPH (2000 mL) PVC	P	32 GPH (1000 mL) Glass
C	32 GPH (1000 mL) PVC	Q	16 GPH (500 mL) Glass
D	16 GPH (500 mL) PVC	R	6 GPH (200 mL) Glass
E	8 GPH (250 mL) PVC	S	3 GPH (100 mL) Glass

Pulsation Dampener

P	10 cubic in	X	Not Included
----------	-------------	----------	--------------

Back Pressure Valve

B	Included	X	Not Included
----------	----------	----------	--------------

Pressure Gauge w/Guard

A	200 PSI	B	100 PSI	C	30 PSI
----------	---------	----------	---------	----------	--------

Pressure Switch w/Guard

S	Included	X	Not Included
----------	----------	----------	--------------

Flow Meter w/Strainer

A	10-5000 mL/m	B	100-10000 mL/m
X	Not Included		

Terminal Box

TA	M3S/M4S/MD3S	TD	M3/M4/MD3(Legacy)
TB	M1/MD1	X	Not Included
TC	M2/C2/C3		

Pumps

P	Mounted	X	Not Included
----------	---------	----------	--------------

*reference Adapter Kits Sheet 85000-198 when ordering with pumps utilizing "M = 1/2"MNPT" or "F = 1/2"FNPT" connections.

CFPS-1 M A A V A - A P B A S A TA P Sample Model Number

NOTE: When ordering pumps for skids, pump head orientation is standard LEFT facing only. All skids are pressure tested prior to shipment. Pumps are purchased and shipped separately. Contact factory for quote/pricing on 5-point performance testing. **Customer is responsible for ensuring skid components are compatible with any chemicals being used.**

Model Number Matrix

CHEM-FEED® Duplex Skid System Matrix - Municipal

CFPS-2	Dual pump system - PE structure														
Inlet/Outlet															
A	Single Inlet / Single Outlet														
B	Single Inlet / Dual Outlet														
X	None, Skid Panel Only														
Piping/Unions															
A	PVC			B	CPVC			C	PVDF			D	Chem Proline®		
Seals															
V	FKM			E	EPDM										
Tubing Connections (Verify tubing connection matches pump outlet when ordering)															
A	1/2" ID PVC Braided			B	1/2" ID PTFE			C	1/4" ID PE			D	1/4" ID PTFE		
Calibration Column															
A	128 GPH (4000 mL) PVC						F	3 GPH (100 mL) PVC							
B	64 GPH (2000 mL) PVC						P	32 GPH (1000 mL) Glass							
C	32 GPH (1000 mL) PVC						Q	16 GPH (500 mL) Glass							
D	16 GPH (500 mL) PVC						R	6 GPH (200 mL) Glass							
E	8 GPH (250 mL) PVC						S	3 GPH (100 mL) Glass							
Pulsation Dampener (One dampener provided. Contact factory for second dampener.)															
P	10 cubic in						X	Not Included							
Back Pressure Valve															
B	Included						X	Not Included							
Pressure Gauge w/Guard															
A	200 PSI			B	100 PSI			C	30 PSI						
Pressure Switch w/Guard															
S	Included						X	Not Included							
Flow Meter w/Strainer															
A	10-5000 mL/m						B	100-10000 mL/m							
X	Not Included														
Terminal Box															
TA	M3S/M4S/MD3S						TD	M3/M4/MD3 (Legacy)							
TB	M1/MD1						X	Not Included							
TC	M2/C2/C3														
Pumps															
P	Mounted*						X	Not Included							
*reference Adapter Kits Sheet 85000-198 when ordering with pumps utilizing "M = 1/2"MNPT" or "F = 1/2"FNPT" connections.															
CFPS-2	M	A	A	V	A	-	A	P	B	A	S	A	TA	P	Sample Model Number

NOTE: When ordering pumps for skids, pump head orientation is standard LEFT facing only. *When ordering skid with pumps of different model numbers, please include complete model number of each pump and location on skid with order. Contact factory for quote/pricing on 5-point performance testing. Customer is responsible for ensuring skid components are compatible with any chemicals being used.

Model Number Matrix

CFPS-3-M

CHEM-FEED® Triplex Skid System Matrix - Municipal

CFPS-3	Triplex pump system - PE structure																	
Inlet/Outlet																		
A	Single Inlet / Dual Outlet																	
B	Single Inlet / Triple Outlet																	
X	None, Skid Panel Only																	
Piping/Unions																		
A	PVC				B	CPVC				C	PVDF				D	Chem Proline®		
Seals																		
V	FKM				E	EPDM												
Tubing Connections (Verify tubing connection matches pump outlet when ordering)																		
A	1/2" ID PVC Braided				B	1/2" ID PTFE				C	1/4" ID PE				D	1/4" ID PTFE		
Calibration Column																		
A	128 GPH (4000 mL) PVC							F	3 GPH (100 mL) PVC									
B	64 GPH (2000 mL) PVC							P	32 GPH (1000 mL) Glass									
C	32 GPH (1000 mL) PVC							Q	16 GPH (500 mL) Glass									
D	16 GPH (500 mL) PVC							R	6 GPH (200 mL) Glass									
E	8 GPH (250 mL) PVC							S	3 GPH (100 mL) Glass									
Pulsation Dampener (Two dampeners provided)																		
P	10 cubic in							X	Not Included									
Back Pressure Valve																		
B	Included							X	Not Included									
Pressure Gauge w/Guard																		
A	200 PSI				B	100 PSI				C	30 PSI							
Pressure Switch w/Guard																		
S	Included							X	Not Included									
Flow Meter w/Strainer																		
A	10-5000 mL/m							B	100-10000 mL/m									
X	Not Included																	
Terminal Box																		
TA	M3S/M4S/MD3S							TD	M3/M4/MD3 (Legacy)									
TB	M1/MD1							X	Not Included									
TC	M2/C2/C3																	
Pumps																		
P	Mounted*							X	Not Included									
*reference Adapter Kits Sheet 85000-198 when ordering with pumps utilizing "M = 1/2"MNPT " or "F = 1/2"FNPT" connections.																		
CFPS-3	M	A	A	V	A	-	A	P	B	A	S	A	TA	P	Sample Model Number			

NOTE: When ordering pumps for skids, pump head orientation is standard LEFT facing only. When ordering skid with pumps of different model numbers, please include complete model number of each pump and location on skid with order. Contact factory for quote/pricing on 5-point performance testing. Customer is responsible for ensuring skid components are compatible with any chemicals being used.

Notes

Notes



Users of electrical and electronic equipment (EEE) with the WEEE marking per Annex IV of the WEEE Directive must not dispose of end of life EEE as unsorted municipal waste, but use the collection framework available to them for the return, recycle, recovery of WEEE and minimize any potential effects of EEE on the environment and human health due to the presence of hazardous substances. The WEEE marking applies only to countries within the European Union (EU) and Norway. Appliances are labeled in accordance with European Directive 2002/96/EC.

Contact your local waste recovery agency for a *Designated Collection Facility* in your area.

Blue-White[®]

5300 Business Drive
Huntington Beach, CA 92649
USA

TEL: 714-893-8529
FAX: 714-894-9492

www.blue-white.com
sales@blue-white.com
customerservice@blue-white.com