

MUNICIPAL CATALOG 2025



Blue-White[®]

Rev. 1 01/08/2025

Rev 0.9 includes the following modifications and updates (from 2024 Catalog Rev.3):

1. F-450 Flow Meters are discontinued. Spare parts are still available. Refer to model F-440 for alternate.
2. CFS Aluminum Frame Skids are discontinued. Refer to CFCS Skid for alternate.
3. Accessories section is added to Skid section.
4. Pump Accessories section is expanded.

Rev1 includes the following modifications and updates:

1. Addition of CFCS Chem-Feed Compact Skid System.
2. Updated Diaphragm Pump warranty.



+1 (714) 893 - 8529



sales@blue-white.com



customerservice@blue-white.com



5300 Business Drive
Huntington Beach, CA 92649

Table of Contents

POLICY	4
<hr/>	
PERISTALTIC PUMPS	7
M1	8
M2	10
M3	12
M4	14
M5	16
A100NFP / A100NVP (Polymer)	18
Peristaltic Pump Warranty	20
<hr/>	
DIAPHRAGM PUMPS	21
C2	22
C3	24
MD1	26
MD3	28
Diaphragm Pump Warranty	30
<hr/>	
SKID SYSTEMS	31
<hr/>	
Plastic	
CFPS-1	32
CFPS-2	34
CFPS-3	36
<hr/>	
Wall	
CFWS-1	38
CFWS-2	40
<hr/>	
Coated-Aluminum Frame	
CFS-1 (discontinued)	42
CFS-2 (discontinued)	44
<hr/>	
Compact	
CFCS-1	46
CFCS-2	48
Skid Adapter Kits	50
Skid Accessories	51
Skid System Warranty	52

ANALYZER PANELS	53
APFCL Chlorine Analyzer	54
APNTU Turbidity Analyzer	56
APH2O Multi-Parameter Analyzer	58
Analyzer Panel Warranty	60
<hr/>	
FLOW METERS	63
<hr/>	
Ultrasonic Flow Meters	
MS6	64
<hr/>	
Paddlewheel Flow Meters	
Micro-Flo	66
F-1000	68
F-2000	70
<hr/>	
Variable Area Flow Meters	
F-300	72
F-300M	74
F-400	76
F-410	78
F-420	80
F-430	82
F-550	84
F-440	86
F-450 (discontinued)	88
F-451	90
F-452	92
F-460	94
F-461	96
F-462	98
Flow Meter Warranty	100
<hr/>	
TANKS AND ACCESSORIES	101
STAR III TANK	102
CHEMICAL TANK	103
ACCESSORIES	104
<hr/>	
CO₂ FEED SYSTEM	114
<hr/>	
REPLACEMENT PARTS	119

POLICY

DEALERS

Please contact the factory for the stocking outlet nearest you.

MINIMUM ORDER

The minimum acceptable order is \$150.00. There are no exceptions.

TERMS

Terms are NET 30 DAYS on approved credit. We do not ship orders to accounts with past-due balances.

If you have not established open account terms with Blue-White, you may prepay your order or pay with a credit card. All major credit cards are accepted.

Credit card transactions are subject to a 2.5% convenience fee.

PAYMENT POLICY

Net amount of invoice is due in full according to terms. A service charge of 1.5% will be added to outstanding balances beyond the term limit.

Any account over 45 days will be subject to credit hold.

FREIGHT

For all allowable items, our normal means of shipment is via United Parcel Service. Should you wish an alternate means of shipment, you must advise the factory at the time you place your order. All shipments ship Ex Works. Buyer assumes all responsibilities for transit and delivery.

PARTIAL SHIPMENT POLICY

Blue-White Industries, Ltd. will make partial shipments of goods as they become available. The FOB terms for each shipment will be as stated on the purchase order. Partial shipments will proceed unless the order explicitly specifies "Ship Complete." For any questions or to arrange special shipping instructions, please contact Customer Service.

RETURNED GOODS

Any merchandise being returned to the factory, regardless of the reason for the return, must have a Returned Merchandise Authorization number. Contact our in-house sales staff for an RMA number. The factory does not accept C.O.D. shipments.

All returns are subject to a restock charge.

Blue-White does not permit the return of products because of overstock, discontinued products, etc. Under no circumstance will the factory consider the return of products over six months old from date of original factory shipment.

ORDER ADD-ON

Please be certain your order is complete when placed. Since orders are immediately entered into the computer as received, we may not be able to "add-on" later. Your understanding of this situation, and your cooperation are most appreciated. Any changes to a current order may result in extended lead times.

Possession of this price schedule does not guarantee the right to purchase directly from the factory. F.O.B. Huntington Beach, CA

See instruction manual at www.blue-white.com for detailed installation and operating requirements.

PRICES SHOWN IN THIS BOOK ARE IN U.S. DOLLARS.

PRICING EFFECTIVE JANUARY 1, 2025.

PROCEDURE FOR IN WARRANTY REPAIR

Warranty service must be performed by the factory or an authorized service center. Contact the factory or local repair center to obtain a RMA (Return Material Authorization) number. It is recommended to include foot strainer and injection/check valve fitting since these devices may be clogged and part of the problem. Decontaminate, dry, and carefully pack the product to be repaired. Please enclose a brief description of the problem and proof of purchase. Prepay all shipping and insurance cost. COD shipments will not be accepted. Damage caused by improper packaging is the responsibility of the sender. When In-Warranty repair is completed, the factory pays for return shipping to the dealer or customer.

PRODUCT USE WARNING

Blue-White products are manufactured to meet the highest quality standards in the industry. Each product instruction manual includes a description of the associated product warranty and provides the user with important safety information. Purchasers, installers, and operators of Blue-White products should take the time to inform themselves about the safe operation of these products. In addition, Customers are expected to do their own due diligence regarding which products and materials are best suited for their intended applications. BLUE-WHITE is pleased to assist in this effort but does not guarantee the suitability of any particular product for any specific application as Blue-White does not have the same degree of familiarity with the application that the customer/end user has. While BLUE-WHITE will honor all of its product warranties according to their terms and conditions, Blue-White shall only be obligated to repair or replace its defective parts or products in accordance with the associated product warranties.

BLUE-WHITE SHALL NOT BE LIABLE EITHER IN TORT OR IN CONTRACT FOR ANY LOSS OR DAMAGE WHETHER DIRECT, INDIRECT, INCIDENTAL, OR CONSEQUENTIAL, ARISING OUT OF OR RELATED TO THE FAILURE OF ANY OF ITS PARTS OR PRODUCTS OR OF THEIR UNSUITABILITY FOR A GIVEN PURPOSE OR APPLICATION.

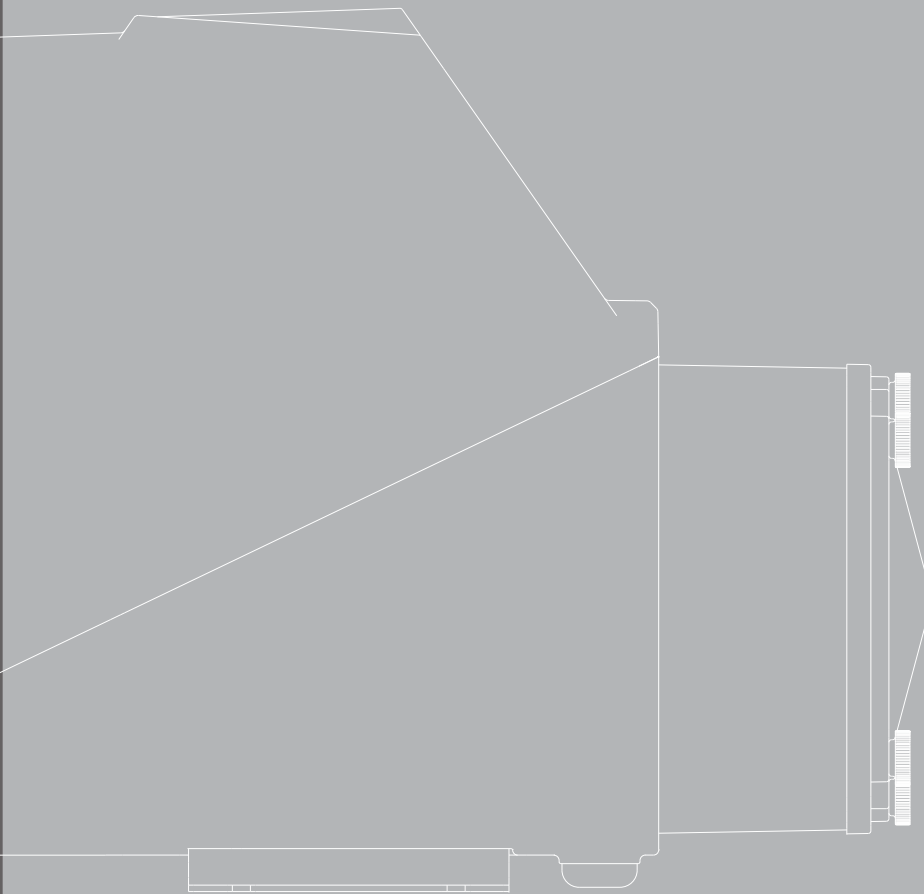
CHEMICAL RESISTANCE WARNING

BLUE-WHITE offers a wide variety of wetted parts. Purchasers, installers, and operators of Blue-White products must be well informed and aware of the precautions to be taken when injecting or measuring various chemicals, especially those considered to be irritants, contaminants or hazardous. Customers are expected to do their own due diligence regarding which products and materials are best suited for their applications, particularly as it may relate to the potential effects of certain chemicals on Blue-White products and the potential for adverse chemical interactions. Blue-White tests its products with water only. The chemical resistance information included in this instruction manual was supplied to BLUE-WHITE by reputable sources, but Blue-White is not able to vouch for the accuracy or completeness thereof. While BLUE-WHITE will honor all of its product warranties according to their terms and conditions, Blue-White shall only be obligated to repair or replace its defective parts or products in accordance with the associated product warranties.

BLUE-WHITE SHALL NOT BE LIABLE EITHER IN TORT OR IN CONTRACT FOR ANY LOSS OR DAMAGE, WHETHER DIRECT, INDIRECT, INCIDENTAL, OR CONSEQUENTIAL, ARISING OUT OF OR RELATED TO THE USE OF CHEMICALS IN CONNECTION WITH ANY BLUE-WHITE PRODUCTS.

Users of electrical and electronic equipment (EEE) with the WEEE marking per Annex IV of the WEEE Directive must not dispose of end of life EEE as unsorted municipal waste, but use the collection framework available to them for the return, recycle, recovery of WEEE and minimize any potential effects of EEE on the environment and human health due to the presence of hazardous substances. The WEEE marking applies only to countries within the European Union (EU) and Norway. Appliances are labeled in accordance with European Directive 2002/96/EC. Contact your local waste recovery agency for a Designated Collection Facility in your area.

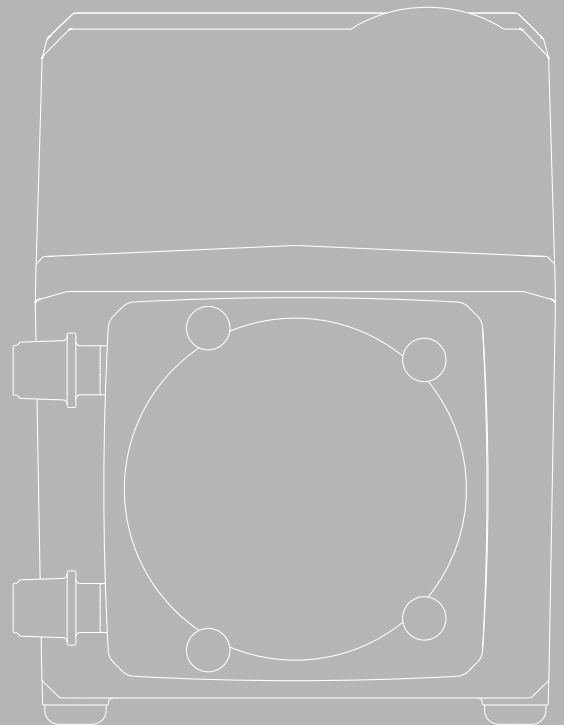
This page intentionally left blank.



MUNICIPAL

Peristaltic
Metering Pumps

Blue-White[®]



M1

FLEXFLO® Peristaltic Metering Pump



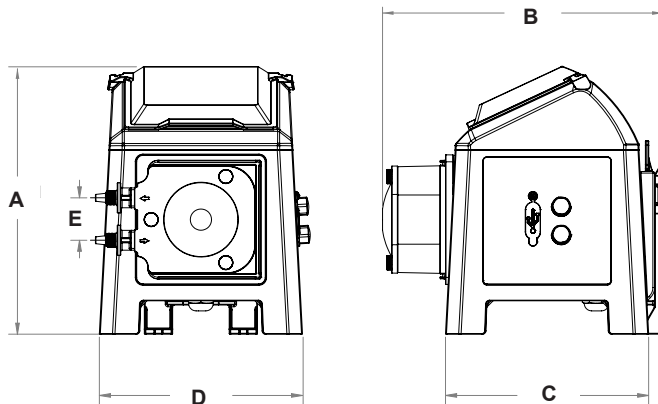
- > Tube Failure Detection senses tube leak
- > Heavy duty display shield protects pump controls
- > Remote Start/Stop - non-powered dry contact closure
- > Relay outputs: single 250V/3A (TFD/FVS) relay, motor running contact closure
- > SCADA I/O include: 4-20 mA input, 4-20 mA output

Highlights

Flow range .0001 – 5.60 GPH .0004 – 21.2 LPH	Pressures up to 100 PSI (6.89 bar)	Turndown ratio 10,000 : 1	Suction lift 30 ft. (at sea level)
Exclusive Tube Failure Detection (TFD+)	Motor Brushless DC	Pump Weight 6 lb. (2.7 kg)	Warranty 5 Years

Dimensions

Dim	Inch	cm	Dim	Inch	cm
A	9"	22.9	D	7.25"	19.6
B	10"	25.2	E	2.5"	18.5
C	7.75"	19.6			



What's in the box

M1 Peristaltic Metering Pump w/ removable power cord.
 Two tube assemblies (One installed, one spare)
 Mounting hardware kit / Rear bracket
 Display shield
 Instruction Manual
Optional Accessories Not included (ordered separately): Suction tubing/Discharge tubing, Injection Valves, Suction strainer, M12 communication cables, or Wall Mount Bracket.




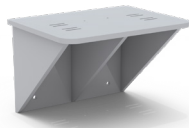





Model Number Matrix

FLEXFLO® Model Number

M1

M1	FLEXFLO® Peristaltic Metering Pump				
Power Cord (Operating voltage requirement 96VAC to 264VAC)					
4	115V 50/60Hz, power cord NEMA 5/15 plug (US) (detachable - 6 ft)				
6	220V 50/60Hz, power cord CEE 7/11 plug (EU) (detachable - 6 ft)				
X	No Power Cord (Power cord is required - See accessories for power cord options)				
Pump Tube Size and Material					
1	1/4" OD Flex-A-Thane® 0.0001 - 1.09 GPH .0069 - 69 mL/Min 65 PSI (4.5 bar)				
3	7/16" OD Flex-A-Thane® 0.0005 - 5.60 GPH .0353 - 353 mL/Min 50 PSI (3.45 bar)				
4	1/4" OD Flex-A-Prene® 0.0001 - 0.44 GPH .0028 - 28 mL/Min 100 PSI (6.89 bar)				
6	3/8" OD Flex-A-Prene® 0.0001 - 1.35 GPH .0085 - 85 mL/Min 100 PSI (6.89 bar)				
7	7/16" OD Flex-A-Prene® 0.0004 - 4.17 GPH .0263 - 263 mL/Min 50 PSI (3.45 bar)				
8	7/16" OD Flex-A-Chem® 0.0003 - 3.09 GPH .0195 - 195 mL/Min 50 PSI (3.45 bar)				
Inlet/Outlet Connection Size, Connection Type					
T	3/8" OD x 1/4" ID Tube Compression Fitting				
M	1/2" Male NPT Fitting				
MB	1/2" Male BSPT Fitting, Natural PVDF (Kynar)				
M1	4	-	1	T	Sample Model Number

Accessories

 <p>KIT-S07 KIT-S15 KIT-S30</p> <p>* Includes cover and foot valve</p> <p>KIT-S07 (7 Gallon), KIT-S15 (15 Gallon), KIT-S30 (30 Gallon) STAR III TANKS, PP</p>	 <p>KIT-PSM WALL MOUNT BRACKET, HDPE</p>	 <p>CABLE-UAC USB A-C CABLE - 3 ft</p>
<p>90010-663 115V/60Hz NEMA 5/15 90010-664 220V/50Hz CEE 7/11 90010-665 230V/50Hz BS 1363/A 90010-666 240V/50Hz AS 3112 90010-696 230V/60Hz NEMA 6/15 90010-821 115V Lockable</p> <p>POWER CABLES - 6 ft</p>	 <p>KIT-M12 TWO M12 CABLES - 9.8 ft</p>	 <p>A-014NK-6A PVDF INJECTOR, 1/4" ID tubing</p>
 <p>C-334-6 (5 ft) 1/4" x 3/8 clear PVC suct. tubing</p>	 <p>C-335-6 (5 ft) 1/4" x 3/8" PE disch. tubing</p>	<p>Visit Accessory Pages for More Options</p>

M2

FLEXFLO® Peristaltic Metering Pump



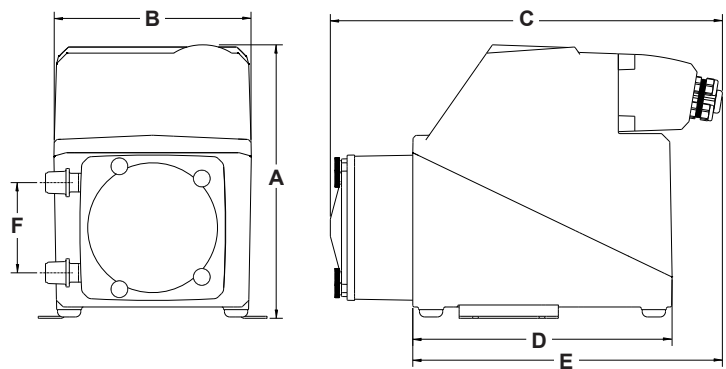
- > Peristaltic pump design does not have valves that can clog requiring maintenance
- > Self priming - even against maximum line pressure
- > Patented Tube Failure Detection (TFD) senses tube failure by detecting chemical in the pump head, no false triggering
- > SCADA Inputs/Outputs include: 4-20mA input, Pulse Input, Frequency Input, 4-20ma output, TFD alarm output

Highlights

Flow range .0085 - 21.23 GPH .032 - 80.4 LPH	Pressures up to 125 PSI (8.6 bar)	Turndown ratio 200 : 1	Suction lift 30 ft. (at sea level)
Exclusive Tube Failure Detection (TFD)	Motor Brushed DC Motor	Pump Weight 28.4 lb. (12.9 kg)	Warranty 5 Years

Dimensions

Dim	Inch	cm	Dim	Inch	cm
A	10-1/4"	26	D	9-1/2"	24.1
B	7-1/2"	19	E	11"	27.9
C	14"	35.6	F	3-3/8"	8.6



What's in the box

M2 Peristaltic Metering Pump
 Two tube assemblies (One installed, one spare)
 Tube installation tool
 Mounting hardware kit (Includes Standard and Extended Mounting Brackets)
 USB Drive (Operating Manual)
Optional Accessories Not included (ordered separately): Suction tubing/Discharge tubing, Injection Valves, Suction strainer, Quick Disconnect fittings, communication cables, or Wall Mount Bracket.



Model Number Matrix

M2

FLEXFLO® Model Number

M2 FLEXFLO® Peristaltic metering pump model number

Power Cord (operating voltage user selectable 115V/240 Vac 50/60Hz)

4	115V / 60Hz, power cord NEMA 5/15 plug (US)	8	240V / 50HZ, power cord AS 3112 plug (AU/New Zealand)
5	230V / 60Hz, power cord NEMA 6/15 plug (US)	9	230V / 50HZ, power cord BS 1363/A plug (United Kingdom)
6	220V / 50HZ, power cord CEE 7/VII plug (EU)	X	No Power Cord

Inlet/Outlet Connection Size, Connection Type, Connection Material

S	3/8" OD x 1/4" ID Tube Compression Fitting, Natural PVDF (Kynar)	C	1/2" - 3/4" Tri-clamp connections, Natural PVDF (Kynar), available for ND, NEE, NGG, and G2G only
M	1/2" Male NPT Fitting, Natural PVDF (Kynar)	Q	Quick Disconnect, Natural PVDF (Kynar), available for NDD, NEE, NGG, and G2G only (valves sold separately)
B	1/2" Hose Barb, Natural PVDF (Kynar), available for ND, NEE, NGG, and G2G only	MB	1/2" Male BSPT Fitting, Natural PVDF (Kynar)

Pump Tube Material, Pump Tube Size, Output Range NOTE: * = Dual tube


ND	Flex-A-Prene® .075 ID 0.01-1.7 GPH .03-6.5 LPH .54-108 mL/M 125 PSI
NEE*	Flex-A-Prene® .093 ID 0.022-4.44 GPH .084-16.8 LPH 1.4-280 mL/M 110 PSI
NGG*	Flex-A-Prene® .187 ID 0.086-17.2 GPH .325-65.1 LPH 5.4-1085 mL/M 110 PSI
GE	Flex-A-Thane® .125 ID 0.02-4.0 GPH .08-15.2 LPH 1-253 mL/M 65 PSI
GG	Flex-A-Thane® .187 ID 0.05-9.3 GPH .17-35.2 LPH 3-587 mL/M 65 PSI
G2G*	Flex-A-Thane® .187 ID 0.07-14.98 GPH .03-56.7 LPH 4.7-945 mL/M 65 PSI
GH	Flex-A-Thane® .312 ID 0.106-21.23 GPH .04-80.4 LPH 6.7-1340 mL/M 65 PSI
TH	Flex-A-Chem® .250 ID 0.07-14.3 GPH .27-54 LPH 4.5-900 mL/M 50 PSI

Pumphead Orientation

(Blank)	Standard - Left facing
R	Right facing pumphead
D	Down facing pumphead

M2	2	4	S	ND	R	Sample Model Number
-----------	----------	----------	----------	-----------	----------	----------------------------

Accessories

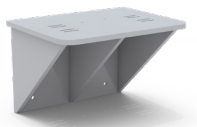


1/4" x 3/8" "S" Fitting

1/2" Hose Barb "B" Fitting

1/2" MNPT "M" Fitting

Quick Disconnects	*KIT-QSV FKM O-rings *KIT-QSE EP O-rings *KIT-QSA Aflas O-rings	*KIT-QBV FKM *KIT-QBE EP *KIT-QBA Aflas	*KIT-QMV FKM *KIT-QME EP *KIT-QMA Aflas
--------------------------	---	---	---



KIT-PSM
Wall Mount Bracket, HDPE

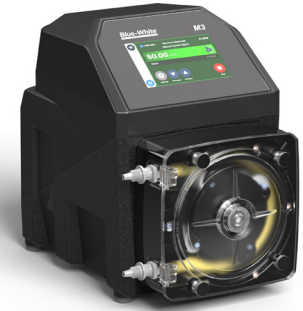


A-014NK-6A
Injector, PVDF, 1/4" "S" Conn.

Visit Accessory Pages for More Options

M3

FLEXFLO® Peristaltic Metering Pump



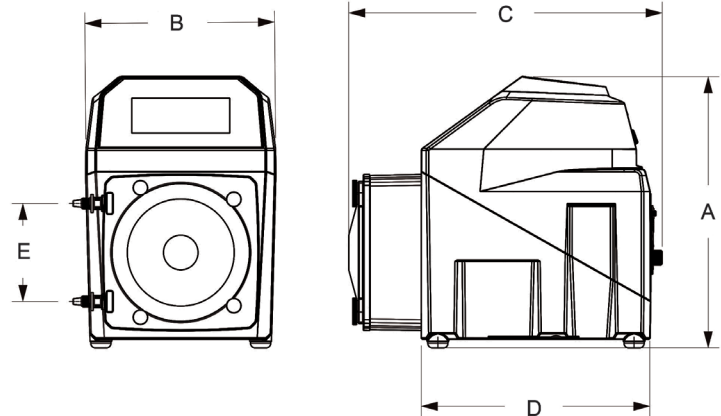
- > 5" touchscreen color LCD display
- > User-friendly configurations
- > Self priming peristaltic metering pump delivers smooth chemical feed
- > Tube Failure Detection (TFD) system senses tube failure
- > Inputs include: 4-20mA, Remote Start/Stop, Pulse Inputs, Industrial Protocols
- > Outputs include: 4-20mA, Frequency, (4) Alarm Outputs, Industrial Protocols
- > Communications Protocols: Ethernet IP, Profibus DP, Modbus TCP

Highlights

<p>Flow range</p> <p>.0002 - 33.3 GPH .0007 - 126 LPH</p>	<p>Pressures up to</p> <p>125 PSI (8.6 bar)</p>	<p>Turndown ratio</p> <p>10,000 : 1</p>	<p>Suction lift</p> <p>30 ft. (at sea level)</p>
<p>Exclusive</p> <p>Tube Failure Detection (TFD)</p>	<p>Motor</p> <p>Brushless DC Motor</p>	<p>Pump Weight</p> <p>25.4 lb. (11.5 kg)</p>	<p>Warranty</p> <p>5 Years</p>

Dimensions

Dim	Inch	cm	Dim	Inch	cm
A	11-3/4"	29.8	D	10.5"	26.5
B	8-1/4"	20.9	E	4-1/4"	10.8
C	13-1/2"	34.5			



What's in the box

M3 Peristaltic Metering Pump w/ removable power cord
 Two tube assemblies (1 installed, 1 spare)
 Tube installation tool
 Mounting hardware kit (Includes Standard and Extended Mounting Brackets)
 QR Code link to Operating Manual
Optional Accessories Not included (ordered separately): Suction tubing/Discharge tubing, Injection Valves, Suction strainer, Quick Disconnect fittings, M12 communication cables, Ethernet/Modbus cables, or Wall Mount Bracket.



Model Number Matrix

FLEXFLO® Model Number

M3	FLEXFLO® Peristaltic metering pump							
Power Cord (operating voltage user selectable 115V/240 Vac 50/60Hz)								
4	115V / 60Hz, power cord NEMA 5/15 plug (US)							
6	220V / 50HZ, power cord CEE 7/II plug (EU)							
X	No Power Cord							
Inlet/Outlet Connection Size, Connection Type, Connection Material								
S	3/8" OD x 1/4" ID Tube Compression Fitting, Natural PVDF (Kynar)							
M	1/2" Male NPT Fitting, Natural PVDF (Kynar)							
B	1/2" Hose Barb, Natural PVDF (Kynar), available for ND, NEE, NGG, NKL, and G2G only							
C	1/2" - 3/4" Tri-clamp connections, Natural PVDF (Kynar), available for ND, NEE, NGG, NKL, and G2G only							
Q	Quick Disconnect, Natural PVDF (Kynar), available for ND, NEE, NGG, NKL, and G2G only. (valves sold seperately)							
MB	1/2" Male BSPT Fitting, Natural PVDF (Kynar)							
Pump Tube Material, Pump Tube Size, Output Range NOTE: * = Dual tube								
ND	Flex-A-Prene® .075 ID .0002–2.10 GPH 125 PSI	GE	Flex-A-Thane® .125 ID .0004–4.60 GPH 65 PSI					
NEE*	Flex-A-Prene® .093 ID .0004–4.76 GPH 110 PSI	GG	Flex-A-Thane® .187 ID .0010–10.1 GPH 65 PSI					
NGG*	Flex-A-Prene® .187 ID .0019–19.02 GPH 110 PSI	G2G*	Flex-A-Thane® .187 ID .0018–18.23 GPH 65 PSI					
NHL	Flex-A-Prene® .250 ID .0017–17.4 GPH 65 PSI	GH	Flex-A-Thane® .312 ID .0024–24.9 GPH 65 PSI					
NK	Flex-A-Prene® .375 ID .0033–33.3 GPH 125 PSI	GK	Flex-A-Thane® .375 ID .0028–28.5 GPH 65 PSI					
NKL	Flex-A-Prene® .375 ID .0033–33.3 GPH 30 PSI	TH	Flex-A-Chem® .250 ID .0015–15.06 GPH 50 PSI					
		TK	Flex-A-Chem® .375 ID .0028–28.5 GPH 50 PSI					
Pumphead Orientation								
(Blank)	Standard - Left facing							
R	Right facing pumphead							
D	Down facing pumphead							
M3	S	2	4	-	S	ND	R	Sample Model Number

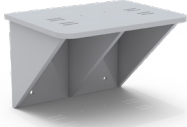
Accessories



1/4" x 3/8" "S" Fitting
1/2" Hose Barb "B" Fitting
1/2" MNPT "M" Fitting

Quick Disconnects

- *KIT-QSV FKM O-rings
- *KIT-QSE EP O-rings
- *KIT-QSA Aflas O-rings
- *KIT-QBV FKM
- *KIT-QBE EP
- *KIT-QBA Aflas
- *KIT-QMV FKM
- *KIT-QME EP
- *KIT-QMA Aflas



KIT-PSM
Wall Mount Bracket, HDPE




KIT-M12
Two M12 Cables - 9.8 ft.

90010-663 115V/60Hz NEMA 5/15
90010-664 220V/50Hz CEE 7/II
90010-665 230V/50Hz BS 1363/A
90010-666 240V/50Hz AS 3112
90010-696 230V/60Hz NEMA 6/15
90010-711 115V Lockable

POWER CABLES - 6 ft



A-014NK-6A
Injector, PVDF, 1/4" "S" Conn.

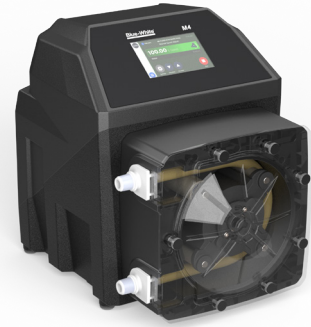


KIT-DP3
Profibus Cable, 3 ft

Visit Accessory Pages for More Options

M4

FLEXFLO® Peristaltic Metering Pump



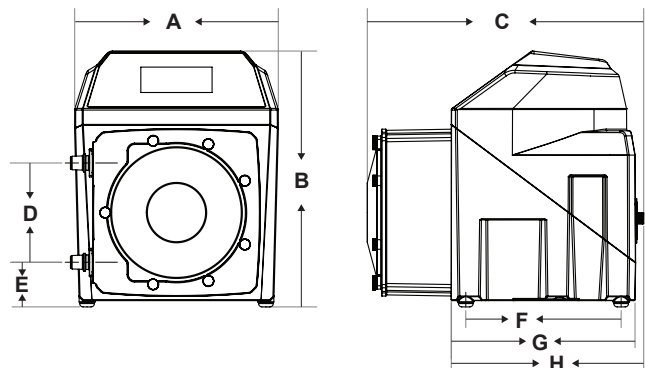
- > 5" touchscreen color LCD display
- > User-friendly configurations
- > Self priming peristaltic metering pump delivers smooth chemical feed
- > Tube Failure Detection (TFD) system senses tube failure
- > Inputs include: 4-20mA, Remote Start/Stop, Pulse Inputs, Industrial Protocols
- > Outputs include: 4-20mA, Frequency, (4) Alarm Outputs, Industrial Protocols
- > Communications Protocols: Ethernet IP, Profibus DP, Modbus TCP

Highlights

Flow range .0028 - 158.5 GPH .0108 - 600 LPH	Pressures up to 125 PSI (8.6 bar)	Turndown ratio 10,000 : 1	Suction lift 30 ft. (at sea level)
Exclusive Tube Failure Detection (TFD)	Motor Brushless DC Motor	Pump Weight 45.5 lb. (20.64 kg)	Warranty 5 Years

Dimensions

Dim	Inch	cm	Dim	Inch	cm
A	12.1"	30.8	E	2.7"	6.8
B	15.3"	38.8	F	9.3"	23.5
C	16.5"	41.9	G	11.0"	27.8
D	5.9"	15.0	H	11.5"	29.2



What's in the box

M4 Peristaltic Metering Pump w/ removable cord
 Two tube assemblies
 Tube installation tool
 Mounting hardware kit (Includes Standard and Extended Mounting Brackets)
 QR Code link to Operating Manual
Optional Accessories Not included (ordered separately): Suction tubing/Discharge tubing, Injection Valves, Suction strainer, Quick Disconnect fittings, M12 communication cables, Ethernet/Modbus cables, or Wall Mount Bracket.




Model Number Matrix

FLEXFLO® Model Number

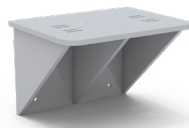
M4	FLEXFLO® M4 Peristaltic Metering Pump							
Power Cord (operating voltage requirement 96VAC to 264VAC)								
4	115V / 60HZ, power cord NEMA 5/15 plug (US)							
6	220V / 50HZ, power cord CEE 7/VII plug (EU)							
X	No Power Cord							
Inlet/Outlet Connection Size, Connection Type, Connection Material								
M	1/2" Male NPT Fitting, Natural PVDF (Kynar)							
B	1/2" ID Tubing Barb Fitting, Natural PVDF (Kynar)							
C	1/2" - 3/4" Tri-clamp connections, Natural PVDF (Kynar)							
Q	Quick Disconnect, Natural PVDF (Kynar), NP flow rate reduced 16.5% with Quick Disconnect connections (Valves sold separately)							
MB	1/2" Male BSPT Fitting, Natural PVDF (Kynar)							
Pump Tube Material, Pump Tube Size NOTE: * = Dual tube								
NH	Flex-A-Prene® .250 ID .01–28.5 GPH 125 PSI							
NHH*	Flex-A-Prene® .250 ID .02–54.0 GPH 100 PSI							
NHHL*	Flex-A-Prene® .250 ID .02–54.0 GPH 65 PSI							
NHL	Flex-A-Prene® .250 ID .01–28.5 GPH 65 PSI							
NK	Flex-A-Prene® .375 ID .02–50.7 GPH 80 PSI							
NL	Flex-A-Prene® .500 ID .04–100.0 GPH 50 PSI							
NP	Flex-A-Prene® .750 ID .06–158.5 GPH 30 PSI							
GH	Flex-A-Thane® .312 ID .01–39.6 GPH 65 PSI							
GHH*	Flex-A-Thane® .312 ID .03–71 GPH 65 PSI							
GK	Flex-A-Thane® .375 ID .02–55.5 GPH 65 PSI							
GKK*	Flex-A-Thane® .375 ID .04–100 GPH 65 PSI							
TH	Flex-A-Chem® .250 ID .01–25.4 GPH 30 PSI							
TK	Flex-A-Chem® .375 ID .02–54.0 GPH 30 PSI							
TKK*	Flex-A-Chem® .375 ID .05–126 GPH 30 PSI							
Pumphead Orientation								
(Blank)	Standard - Left facing							
R	Right facing pumphead							
D	Down facing pumphead							
M4	S	2	4	-	M	NH	R	Sample Model Number

Accessories



1/2" Hose Barb "B" Fitting
1/2" MNPT "M" Fitting

Quick Disconnects	*KIT-QBV FKM O-rings	*KIT-QBE EP	*KIT-QBA Aflas
	*KIT-QMV FKM	*KIT-QME EP	*KIT-QMA Aflas



KIT-PSM
Wall Mount Bracket, HDPE



KIT-M12
Two M12 Cables - 9.8 ft.

90010-663 115V/60Hz NEMA 5/15
90010-664 220V/50Hz CEE 7/V11
90010-665 230V/50Hz BS 1363/A
90010-666 240V/50Hz AS 3112
90010-696 230V/60Hz NEMA 6/15
90010-711 115V Lockable

POWER CABLES - 6 ft



A-014NK-6A
Injector, PVDF, 1/4" "S" Conn.

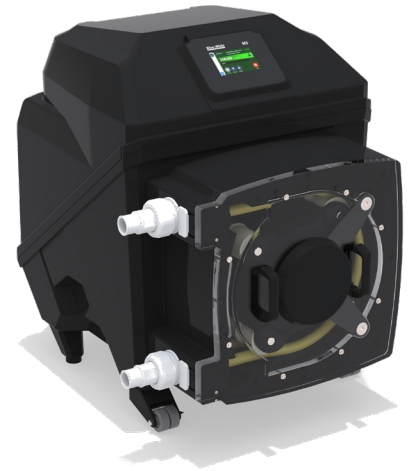


KIT-DP3
Profibus Cable, 3 ft

Visit Accessory Pages for More Options

M5

FLEXFLO® Peristaltic Metering Pump



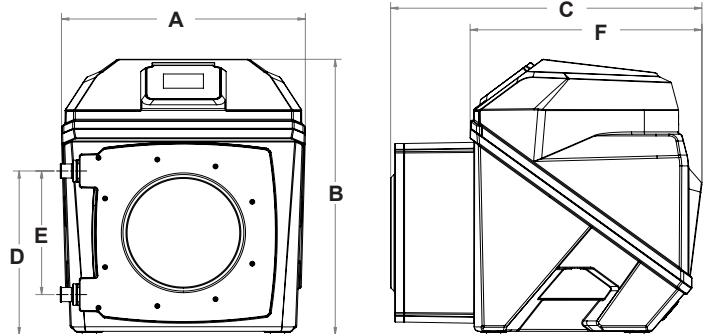
- > 5" touchscreen color LCD display
- > User-friendly configurations
- > Self priming peristaltic metering pump delivers smooth chemical feed
- > Tube Failure Detection (TFD) system senses tube failure
- > Inputs include: 4-20mA, Remote Start/Stop, Pulse Inputs, Industrial Protocols
- > Outputs include: 4-20mA, Frequency, (4) Alarm Outputs, Industrial Protocols
- > Communications Protocols: Ethernet IP, Profibus DP, Modbus TCP

Highlights

Flow range .0076 - 534 GPH .0286 - 2041 LPH	Pressures up to 65 PSI (4.4 bar)	Turndown ratio 10,000 : 1	Suction lift 30 ft. (at sea level)
Exclusive Tube Failure Detection (TFD)	Motor Brushless DC Motor	Weight 178 lb. (80.7 kg)	Warranty 5 Years

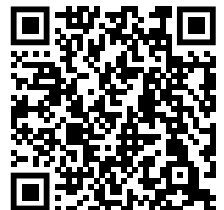
Dimensions

Dim	Inch	cm	Dim	Inch	cm
A	25.7"	65.2	D	17.9"	45.4
B	30.1"	76.4	E	13.5"	34.3
C	32.8"	83.3	F	24.4"	62.0



What's in the box

M5 Peristaltic Metering Pump w/ removable cord
 One complete tube assembly (installed)
 One Replacement Tube Kit
 Floor Mounting Brackets
 QR Code link to Operating Manual
Optional Accessories Not included (ordered separately): Suction tubing/Discharge tubing, Injection Valves, Suction strainer, M12 communication cables, Ethernet/Modbus cables.



Model Number Matrix

M5

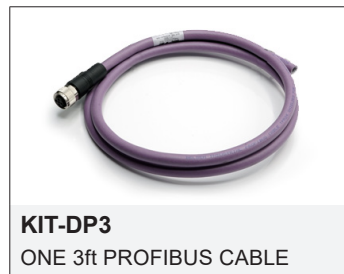
Model Number

M5	FLEXFLO® Peristaltic metering pump						
Power Cord (operating voltage user selectable 115V/240 VAC 50/60Hz)							
4	115V / 60Hz, power cord NEMA 5/15 plug (US)						
6	220V / 50HZ, power cord CEE 7/VII plug (EU)						
X	No Power Cord						
Inlet/Outlet Connection Size, Connection Type, Connection Material							
M	1.5" Male NPT Fitting, Polypropylene, Aflas O-rings						
B	1.5" Hose Barb, Polypropylene, Aflas O-rings						
Pump Tube Material, Pump Tube Size, Output Range, Pressure NOTE: * = Dual tube							
NPP*	Flex-A-Prene® .750 ID .0534 - 534 GPH .2121 - 2021 LPH 3.369 - 33690 mL/min 30 PSI						
NLL*	Flex-A-Prene® .500 ID .0286 - 286 GPH .1083 - 1083 LPH 1.806 - 18056 mL/min 50 PSI						
NHHL*	Flex-A-Prene® .250 ID .0076 - 75.6 GPH .0286 - 286 LPH 0.4769 - 4769 mL/min 65 PSI						
GKK*	Flex-A-Thane® .375 ID .0154 - 154.2 GPH .0584 - 583.6 LPH 0.9728 - 9728 mL/min 50 PSI						
Pumphead Orientation							
(Blank)	Standard - Left facing						
R	Right facing pumphead						
O-rings / Elastomers							
(Blank)	Standard (Aflas)						
E	EPDM						
M5	S	2	4	-	M	NPP	Sample Model Number

Accessories

90010-663 115V/60Hz NEMA 5/15
 90010-664 220V/50Hz CEE 7/V11
 90010-665 230V/50Hz BS 1363/A
 90010-666 240V/50Hz AS 3112
 90010-696 230V/60Hz NEMA 6/15
 90010-711 115V Lockable

POWER CABLES - 6 ft



***KIT-M12-3** Three M12 Cables and **KIT-M12-6** Six M12 Cables also available.

Visit Accessory Pages for More Options

A-100N (Polymer)

FLEXFLO® Peristaltic Metering Pump



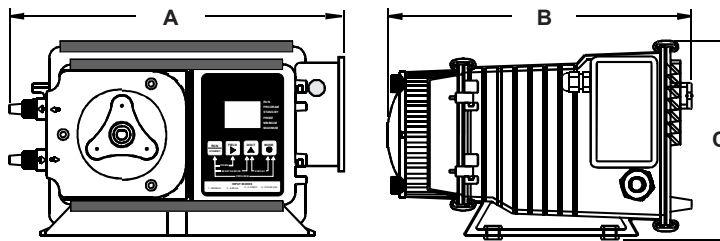
- > Enhanced Tube Failure Detection (TFD+) detects oil and water based polymers
- > Gentle pumping action for long chain polymers
- > Ideal for low and high viscosity fluids
- > Manual and Digital 4-20ma speed control models.

Highlights

Flow range	Pressures up to	Turndown ratio	Suction lift
.1 - 5.2 GPH .4 - 20 LPH	65 PSI (4.5 bar)	20 : 1	30 ft. Water, 0 psig (9.14 m, 0 bar)
Exclusive	Motor	Weight	Warranty
Tube Failure Detection (TFD+)	Brushed DC	8 lb. (3.63 Kg)	1 Year

Dimensions

Dim	Inch	cm
A	9.50"	24.10
B	9.125"	23.18
C	6.00"	15.24



***Polymer Units**
A-100NVP, A-100NFP only

What's in the box


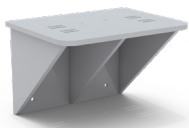




- | | |
|--|--------------------------|
| A100N Peristaltic Metering Pump | Mounting hardware kit |
| Two tube assemblies (one installed, one spare) | Display shield |
| Suction tube – clear PVC
5' length (3/8" OD, 1/4" ID) | Tube nuts (x2) |
| Suction strainer (C-342-6) | Silicon Oil, 5 ml bottle |
| Suction ceramic weight | Instruction manual |
| Discharge tube – opaque polyethylene
5' length (3/8" OD, 1/4" ID) | |
| Discharge injection fitting with 1/2 psi check (A-014N-6A) | |

Model Number Matrix

FLEXFLO® Model Number

A1N	FLEXFLO® Peristaltic Metering Pump								
Maximum Motor RPM									
0	14 RPM								
1	30 RPM								
2	45 RPM								
3	60 RPM								
Power Cord									
0	115V / 60HZ, power cord NEMA 5/15 plug (US)								
1	220V / 50HZ, power cord CEE7/VII plug (EU)								
Input/Output Control									
F	Analog Manual Speed Control (Dial Knob)								
V	Digital Speed Control with external input (4-20ma, 0-10VDC, and Frequency/Pulse)								
Pump Tube Material, Pump Tube Size									
1	1/4" OD Flex-A-Thane®, 65 PSI								
2	3/8" OD Flex-A-Thane®, 65 PSI								
3	7/16" OD Flex-A-Thane®, 50 PSI								
Polymer Pump Model									
P	Polymer Pump equipped with TFD+								
A1N	0	0	F	-	1	T	-	P	Sample Model Number

Accessories

 <p>KIT-S07 KIT-S15 KIT-S30</p> <p><small>* Includes cover and foot valve</small></p> <p>KIT-S07 (7 Gallon), KIT-S15 (15 Gallon), KIT-S30 (30 Gallon) STAR III TANKS, PP</p>	 <p>KIT-PSM WALL MOUNT BRACKET, HDPE</p>	 <p>A1-1T, A1-2T, A1-3T Spare Tube Element</p>
 <p>T140-6V T.I. INJECTOR, 3/8" OD</p>	 <p>C-340A FOOT VALVE</p>	 <p>A-014NK-6A PVDF INJECTOR</p>

Visit [Accessory Pages](#) for more Options

PERISTALTIC PUMP WARRANTY

LIMITED WARRANTY

Your Blue-White product is a quality product and is warranted for a specific time from date of purchase (proof of purchase is required). The product will be repaired or replaced at our discretion. Failure must have occurred due to defect in material or workmanship and not as a result of operation of the product other than in normal operation as defined in the product manual. Warranty status is determined by the product's serial label and the sales invoice or receipt. The serial label must be on the product and legible. The warranty status of the product will be verified by Blue-White or a factory authorized service center. Pump Head and roller assembly is warranted against damage from chemical attack when proper TFD (Tube Failure Detection) system instructions and maintenance procedures are followed.

FLEXFLO® M1, M2, M3, M4, and M5 pumps are warranted for 5 years from date of purchase (proof of purchase is required). Pumps will be repaired or replaced at our discretion. Pump Head and roller assembly is warranted for 2 years against damage from chemical attack when proper TFD (Tube Failure Detection) system instructions and maintenance procedures are followed.

WHAT IS NOT COVERED

- FLEXFLO® Pump Tube Assemblies and rubber components. They are perishable and require periodic replacement.
- Pump removal, or re-installation, and any related labor charge.
- Freight to the factory, or service center.
- Products that have been tampered with, or in pieces.
- Damage resulting from misuse, carelessness such as chemical spills on the enclosure, abuse, lack of maintenance, or alteration which is out of our control.
- Damage by faulty wiring, power surges or acts of nature.

BLUE-WHITE does not assume responsibility for any loss, damage, or expense directly or indirectly related to or arising out of the use of its products. Failure must have occurred due to defect in material or workmanship and not as a result of operation of the product other than in normal operation as defined in the pump manual.

Warranty status is determined by the pump's serial label and the sales invoice or receipt. The serial label must be on the pump and legible. The warranty status of the pump will be verified by Blue-White or a factory authorized service center.

PROCEDURE FOR IN WARRANTY REPAIR

Warranty service must be performed by the factory or an authorized service center. Contact the factory or local repair center to obtain a RMA (Return Material Authorization) number. It is recommended to include foot strainer and injection/check valve fitting since these devices may be clogged and part of the problem. Decontaminate, dry, and carefully pack the product to be repaired. Please enclose a brief description of the problem and proof of purchase. Prepay all shipping and insurance cost. COD shipments will not be accepted. Damage caused by improper packaging is the responsibility of the sender. When In-Warranty repair is completed, the factory pays for return shipping to the dealer or customer.

PRODUCT USE WARNING

Blue-White products are manufactured to meet the highest quality standards in the industry. Each product instruction manual includes a description of the associated product warranty and provides the user with important safety information. Purchasers, installers, and operators of Blue-White products should take the time to inform themselves about the safe operation of these products. In addition, Customers are expected to do their own due diligence regarding which products and materials are best suited for their intended applications. BLUE-WHITE is pleased to assist in this effort but does not guarantee the suitability of any particular product for any specific application as Blue-White does not have the same degree of familiarity with the application that the customer/end user has. While BLUE-WHITE will honor all of its product warranties according to their terms and conditions, Blue-White shall only be obligated to repair or replace its defective parts or products in accordance with the associated product warranties.

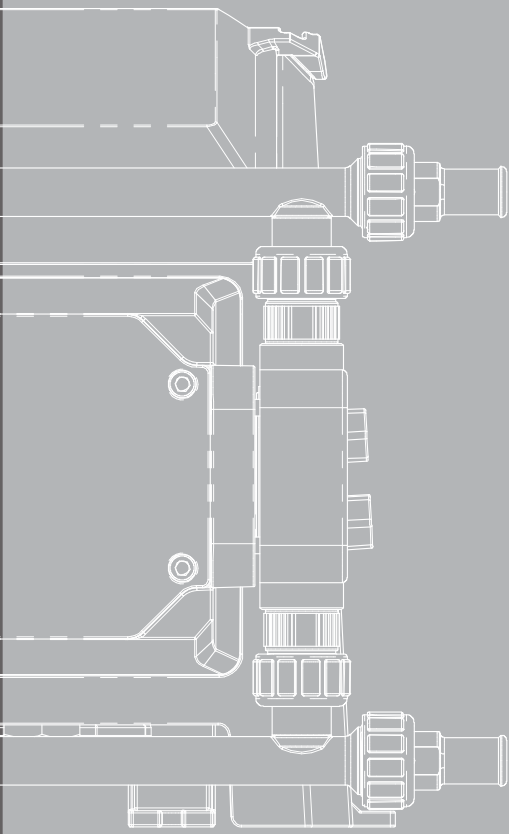
BLUE-WHITE SHALL NOT BE LIABLE EITHER IN TORT OR IN CONTRACT FOR ANY LOSS OR DAMAGE WHETHER DIRECT, INDIRECT, INCIDENTAL, OR CONSEQUENTIAL, ARISING OUT OF OR RELATED TO THE FAILURE OF ANY OF ITS PARTS OR PRODUCTS OR OF THEIR NONSUITABILITY FOR A GIVEN PURPOSE OR APPLICATION.

CHEMICAL RESISTANCE WARNING

BLUE-WHITE offers a wide variety of wetted parts. Purchasers, installers, and operators of Blue-White products must be well informed and aware of the precautions to be taken when injecting or measuring various chemicals, especially those considered to be irritants, contaminants or hazardous. Customers are expected to do their own due diligence regarding which products and materials are best suited for their applications, particularly as it may relate to the potential effects of certain chemicals on Blue-White products and the potential for adverse chemical interactions. Blue-White tests its products with water only. The chemical resistance information included in this instruction manual was supplied to BLUE-WHITE by reputable sources, but Blue-White is not able to vouch for the accuracy or completeness thereof. While BLUE-WHITE will honor all of its product warranties according to their terms and conditions, Blue-White shall only be obligated to repair or replace its defective parts or products in accordance with the associated product warranties.

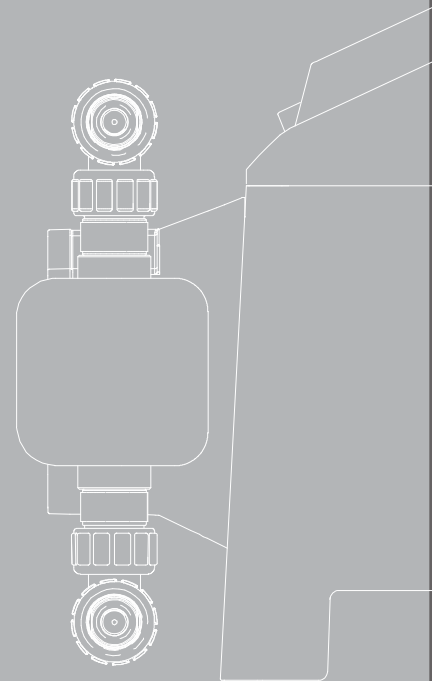
BLUE-WHITE SHALL NOT BE LIABLE EITHER IN TORT OR IN CONTRACT FOR ANY LOSS OR DAMAGE, WHETHER DIRECT, INDIRECT, INCIDENTAL, OR CONSEQUENTIAL, ARISING OUT OF OR RELATED TO THE USE OF CHEMICALS IN CONNECTION WITH ANY BLUE-WHITE PRODUCTS.

Users of electrical and electronic equipment (EEE) with the WEEE marking per Annex IV of the WEEE Directive must not dispose of end of life EEE as unsorted municipal waste, but use the collection framework available to them for the return, recycle, recovery of WEEE and minimize any potential effects of EEE on the environment and human health due to the presence of hazardous substances. The WEEE marking applies only to countries within the European Union (EU) and Norway. Appliances are labeled in accordance with European Directive 2002/96/EC. Contact your local waste recovery agency for a Designated Collection Facility in your area.



MUNICIPAL

Diaphragm
Metering Pumps



Blue-White[®]

C2

CHEM-FEED® Diaphragm Metering Pump

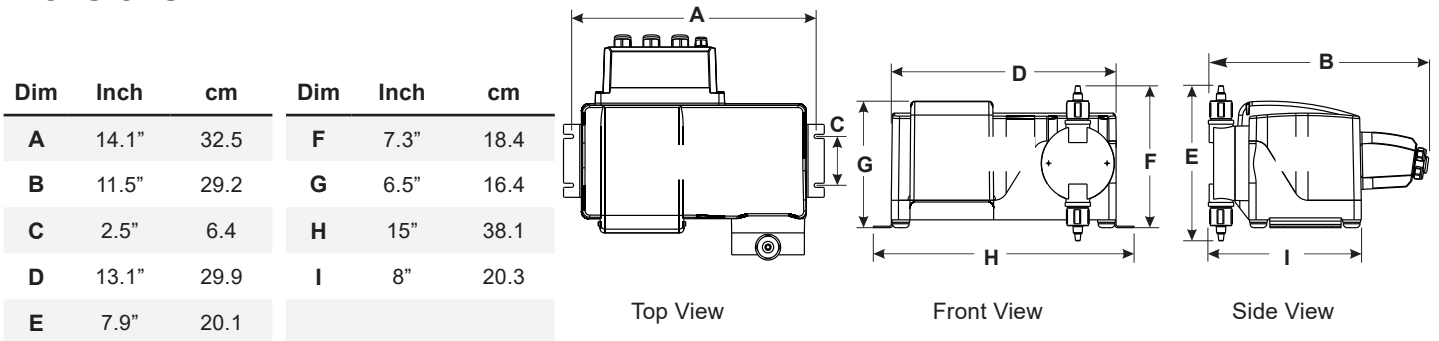


- > Built-in leak detection (DFD) senses diaphragm failure
- > Patented DiaFlex® offers zero breakdown, reducing maintenance
- > 4-20mA input and Frequency input on V model
- > Heavy duty PVDF pump head and valves are standard

Highlights

<p>Flow range</p> <p>.02 - 16.5 GPH .1 - 62.5 LPH</p>	<p>Pressures up to</p> <p>175 PSI (12 bar)</p>	<p>Turndown ratio</p> <p>100 : 1</p>	<p>Suction lift</p> <p>15 ft. (at sea level)</p>
<p>Exclusive</p> <p>Diaphragm Failure Detection (DFD)</p>	<p>Motor</p> <p>Brushed DC Motor</p>	<p>Weight</p> <p>24 lb. (10.9 kg)</p>	<p>Warranty</p> <p>2 Years</p>

Dimensions



NOTE: Optional Extended Bracket adds 4.5" (11.43cm) to overall height (dimension F and G).

What's in the box

- C2 Diaphragm Metering Pump
- Discharge injection fitting with check valve
- Option "A,B,C"** – ½" ID x 3/4" OD tubing pump head
- ½" hose barb injector • ½" hose barb foot valve
- Tubing and hose clamp
- Option "D"** – ¼" ID x 3/8" OD Tubing pump head
- Suction foot valve and ceramic weight
- Injector, suction tubing - 10 ft.
- discharge tubing - 10ft.

- Option "E"** – ½" M/NPT inlet and outlet, with ½" M/NPT injection fitting
- ½" M/NPT injector • ½" M/NPT foot valve
- Option "F"** – ½" F/NPT inlet and outlet, with ½" M/NPT injection fitting
- ½" M/NPT injector • ½" M/NPT foot valve
- Mounting hardware kit
- Junction box connectors
- QR Code link to Operating Manual

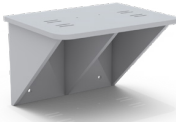


Model Number Matrix


Model Number

C2	Diaphragm metering pump							
Series								
F	Single manual output control (manual/local control only)							
V	Multiple automatic input output control and alarm modes (remote control)							
Input Voltage								
4	115V / 60Hz, power cord NEMA 5/15 plug (US)			8	240V / 50HZ, power cord AS 3112 plug (AU/New Zealand)			
5	230V / 60Hz, power cord NEMA 6/15 plug (US)			9	230V / 50HZ, power cord BS 1363 plug (UK)			
6	220V / 50HZ, power cord CEE 7/VII plug (EU)							
CAM Stroke Length and Diaphragm Size								
1	.060" (1.52 mm) stroke with small diaphragm .10–10 GPH 175 PSI							
2	.060" (1.52 mm) stroke with large diaphragm .165–16.5 GPH 175 PSI							
3	.040" (1.02 mm) stroke with small diaphragm .067–6.7 GPH 175 PSI							
5	.040" (1.02 mm) stroke with Micro-Feed .02–2.3 GPH 150 PSI							
6	.060" (1.52 mm) stroke with Micro-Feed .04–4.0 GPH 150 PSI							
Electrical Options								
X	Standard equipment							
Elastomer Material (o-rings)								
V	TFE/P			E	EP (Ethylene Propylene)			
Fitting Connection Types								
A	1/2" Hose Barb Inlet, 1/2" Male NPT Outlet, with 1/2" Male NPT Injection Fitting							
B	1/2" Hose Barb Inlet, 1/2" Female NPT Outlet, with 1/2" Male NPT Injection Fitting							
C	1/2" Hose Barb Inlet and Outlet, with 1/2" ID Hose Barb Injection Fitting							
D	3/8" OD Tube Compression Inlet, Outlet, and Injection Fitting							
E	1/2" Male NPT Inlet and Outlet, with 1/2" Male NPT Injection Fitting							
F	1/2" Female NPT Inlet and Outlet, with 1/2" Male NPT Injection Fitting							
Diaphragm Type								
(Blank)	Standard DiaFlex® Diaphragm							
S	Flex-A-Prene® Diaphragm (Caustic Soda resistant diaphragm)							
C2	F	2	4	1	X	V	A	Sample Model Number


Accessories



KIT-PSM
Wall Mount Bracket, HDPE



71000-555
PVDF INJECTOR, 1/4" ID tubing
71000-579
PVDF INJECTOR, 1/2" Hose Barb
71000-577
PVDF INJECTOR, 1/2" MNPT



C-334-6-10
Suction Tubing, Clear PVC 1/4"x 3/8", 10 ft
C-335-6-25
Discharge Tubing, PE, 1/4" x 3/8", 25 ft
76001-361
Suction Tubing, Clear PVC, 1/2" ID, 8ft
90008-437
Discharge Tubing, Braided PVC, 1/2" ID

Ball Check Cartridge Options

20000-228
Ball Check Cart. Hastelloy Balls
20000-229
Ball Check Cart. PTFE Balls
70001-409 (2 req.)
Ball Check Cart., Single Ceramic Ball with Hastelloy Spring

Visit Accessory Pages for More Options

C3

CHEM-FEED® Diaphragm Metering Pump



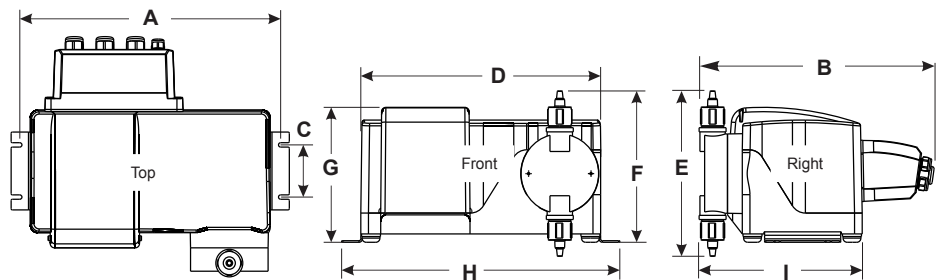
- > Built-in leak detection (DFD) senses diaphragm failure
- > Exclusive Patented DiaFlex® diaphragm
- > Signal inputs include: 4-20mA ("V" Model), pulse inputs ("V" Model), and Remote start/stop
- > Signal outputs include: Relay (3 amp) and 4-20mA ("V" Model)

Highlights

Flow range .262 - 40.6 GPH .99 - 154 LPH	Pressures up to 150 PSI (10.3 bar)	Turndown ratio 100 : 1	Suction lift 15 ft. Water, 0 psig (4.5 m, 0 bar)
Exclusive Diaphragm Failure Detection (DFD)	Motor Brushed DC	Weight 31 lb. (14.06 Kg)	Warranty 2 Years

Dimensions

Dim	Inch	cm	Dim	Inch	cm
A	14.1"	35.8	F	7.8"	19.8
B	12"	30.5	G	6.5"	16.5
C	2.5"	6.4	H	15"	38.1
D	13.1"	33.3	I	8"	20.3
E	9"	22.9			



NOTE: Optional Extended Bracket adds 4.5" (11.43cm) to overall height (dimension F and G).

What's in the box

- C2 Diaphragm Metering Pump
- Discharge injection fitting with check valve
- Option "A","B"** – ½" ID x ¾" OD tubing pump head
 - ½" M/NPT injector • ½" hose barb foot valve
 - Tubing and hose clamp
- Option "C"** – ½" ID x ¾" OD tubing pump head
 - ½" hose barb injector • ½" hose barb foot valve
 - Tubing and hose clamp

- Option "E"** – ½" M/NPT inlet and outlet, with ½" M/NPT injection fitting
 - ½" M/NPT injector • ½" M/NPT foot valve
- Option "F"** – ½" F/NPT inlet and outlet, with ½" M/NPT injection fitting
 - ½" M/NPT injector • ½" M/NPT foot valve
- Mounting hardware kit
- Junction box connectors
- QR Code link to Operating Manual



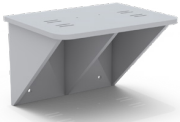
Model Number Matrix

C3


Model Number

C3	Diaphragm metering pump							
Series								
F	Single manual output control (manual/local control only)							
V	Multiple automatic input/output control and alarm modes (remote control)							
Input Voltage								
4	115V / 60Hz, power cord NEMA 5/15 plug (US)			8	240V / 50HZ, power cord AS 3112 plug (AU/New Zealand)			
5	230V / 60Hz, power cord NEMA 6/15 plug (US)			9	230V / 50HZ, power cord BS 1363 plug (UK)			
6	220V / 50HZ, power cord CEE 7/VII plug (EU)							
CAM Stroke Length and Diaphragm Size								
1	.060" (1.52 mm) stroke with large diaphragm .262–26.2 GPH 150 PSI							
2	.100" (2.54 mm) stroke with large diaphragm .406–40.6 GPH 100 PSI							
Electrical Options								
X	Standard equipment with "F" Series only							
A	Standard equipment with "V" Series only - includes 4-20ma output							
Elastomer Material (o-rings)								
V	TFE/P			E	EP (Ethylene Propylene)			
Fitting Connection Types								
A	1/2" Hose Barb Inlet, 1/2" Male NPT Outlet, with 1/2" Male NPT Injection Fitting							
B	1/2" Hose Barb Inlet, 1/2" Female NPT Outlet, with 1/2" Male NPT Injection Fitting							
C	1/2" Hose Barb Inlet and Outlet, with 1/2" ID Hose Barb Injection Fitting							
E	1/2" Male NPT Inlet and Outlet, with 1/2" Male NPT Injection Fitting							
F	1/2" Female NPT Inlet and Outlet, with 1/2" Male NPT Injection Fitting							
Diaphragm Type								
(Blank)	Standard DiaFlex® Diaphragm							
S	Flex-A-Prene® Diaphragm (Caustic Soda resistant diaphragms)							
C3	F	2	4	1	X	V	A	Sample Model Number


Accessories



KIT-PSM
Wall Mount Bracket, HDPE



71000-555
PVDF INJECTOR, 1/4" ID tubing
71000-579
PVDF INJECTOR, 1/2" Hose Barb
71000-577
PVDF INJECTOR, 1/2" MNPT



C-334-6-10
Suction Tubing, Clear PVC 1/4"x 3/8", 10 ft
C-335-6-25
Discharge Tubing, PE, 1/4" x 3/8", 25 ft
76001-361
Suction Tubing, Clear PVC, 1/2" ID, 8ft
90008-437
Discharge Tubing, Braided PVC, 1/2" ID

Ball Check Cartridge Options

20000-228
Ball Check Cart. Hastelloy Balls
20000-229
Ball Check Cart. PTFE Balls
70001-409 (2 req.)
Ball Check Cart., Single Ceramic Ball with Hastelloy Spring

Visit Accessory Pages for More Options

MD1

CHEM-FEED® Multi-Diaphragm Metering Pump



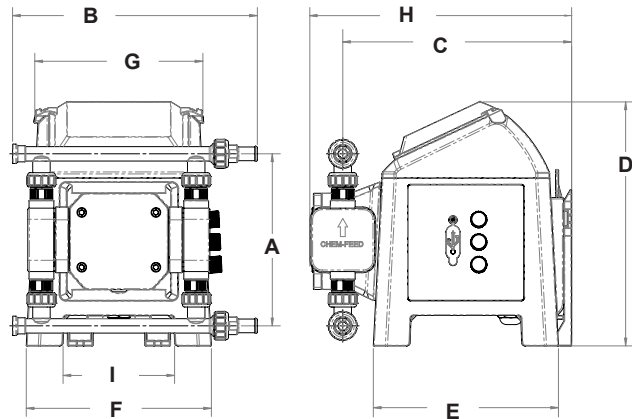
- > Diaphragm Failure Detection system senses diaphragm failure
- > Display shield protects pump controls in harsh environments
- > Exclusive Patented DiaFlex® diaphragm
- > Remote Start/Stop, non-powered dry contact closure
- > Relay outputs: single 250V/3A (TFD/FVS) relay, motor running contact closure
- > SCADA I/O: 4-20 mA input, 4-20 mA output
- > Straight and Elbow fitting options (1/4" x 3/8" tube connections, 1/2" MNPT, 1/2" Hose Barb)

Highlights

<p>Flow range .0008 – 8.50 GPH .003 – 32.2 LPH</p>	<p>Pressures up to 150 PSI (10.3 bar)</p>	<p>Turndown ratio 10,000 : 1</p>	<p>Suction lift 20 ft. (at sea level)</p>
<p>Exclusive Diaphragm Failure Detection (DFD)</p>	<p>Motor Brushless DC Motor</p>	<p>Weight 8.5 lb. (3.8 kg)</p>	<p>Warranty 5 Years</p>

Dimensions

Dim	Inch	cm	Dim	Inch	cm
A	6.67"	16.94	F	7.18"	18.23
B	9.49"	24.10	G	6.52"	16.55
C	8.87"	22.54	H	10.40"	26.41
D	9.46"	24.02	I	4.32"	10.98
E	7.18"	18.23			



What's in the box

- MD1 Multi-Diaphragm Metering Pump
- Discharge injection fitting with check valve
- Suction foot valve
- Suction ceramic weight
- Mounting hardware kit
- Display shield
- Instruction manual
- Optional Accessories not included: Suction Tubing, Discharge Tubing, M12 connector cables.**



Model Number Matrix

MD1

CHEM-FEED® Model Number

MD1	CHEM-FEED® Diaphragm Metering Pump			
Diaphragm and O-Rings Material				
V	DiaFlex® Diaphragms and TFE/P O-Rings (For all chemicals excluding caustic soda and aqueous ammonia)			
E	Flex-A-Prene® Diaphragms and EP O-Rings (For caustic soda and aqueous ammonia)			
Pump Fittings (Inlet / Outlet)				
B	1/2" ID Barb Straight Fittings			
C	1/2" ID Barb Elbow Fittings			
S	1/4" x 3/8" Compression Straight Fittings			
T	1/4" x 3/8" Compression Elbow Fittings			
M	1/2" M/NPT Straight Fittings			
X	1/2" M/NPT Elbow Fittings			
Power Cord - Removable (Operating voltage requirement 96VAC to 264VAC)				
4	115V 50/60Hz, power cord NEMA 5/15 plug (US)			
6	220V 50/60Hz, power cord CEE 7/V11 plug (EU)			
X	No Power Cord Provided (Power cord is required - See accessories for power cord options)			
MD1	V	B	4	Sample Model Number

Accessories

 <p>KIT-S07 KIT-S15 KIT-S30</p> <p>* Includes cover and foot valve</p> <p>KIT-S07 (7 Gallon), KIT-S15 (15 Gallon), KIT-S30 (30 Gallon) STAR III TANKS, PP</p>	 <p>KIT-PSM WALL MOUNT BRACKET, HDPE</p>	 <p>CABLE-UAC USB A-C CABLE - 3 ft</p>	
<p>POWER CABLES - 6 ft 90010-663 115V/60Hz NEMA 5/15 90010-664 220V/50Hz CEE 7/V11 90010-665 230V/50Hz BS 1363/A 90010-666 240V/50Hz AS 3112 90010-696 230V/60Hz NEMA 6/15 90010-821 115V Lockable</p> <p>POWER CABLES</p>	 <p>KIT-M12 TWO M12 CABLES - 9.8 ft</p>	 <p>KIT-CQA (Aflas) / KIT-CQE (EP) QUICK CONNECT KIT MD1</p>	<p>Teflon Ball Check Cartridge Valve Kit (PVDF body, TFE/P O-rings, PTFE balls) 4 cartridges included. (3 Double-Ball, 1 De-Gas)</p> <p>KIT-DVA1-P PTFE Ball Check</p>

Visit Accessory Pages for More Options

MD3

CHEM-FEED® Multi-Diaphragm Metering Pump

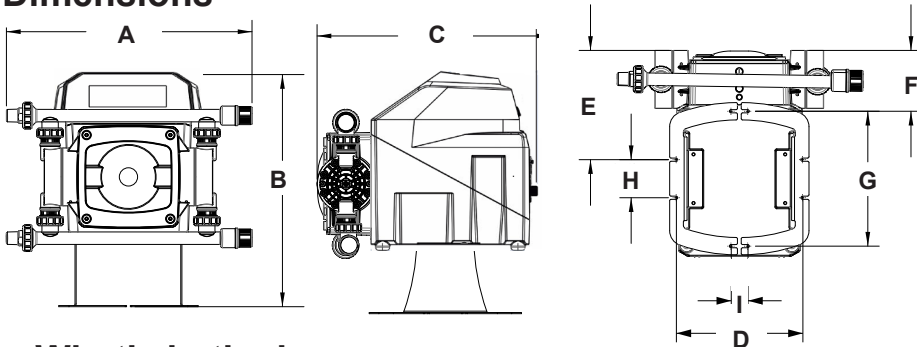


- > Diaphragm Failure Detection system senses diaphragm failure
- > Exclusive Patented DiaFlex® diaphragm
- > Smooth chemical dosing, no pulsation dampener needed
- > Near pulseless flow diaphragm metering
- > Signal inputs include: 4-20mA, pulse inputs, and Remote Start/Stop
- > Communications Protocols: Ethernet IP, Profibus DP, Modbus TCP

Highlights

<p>Flow range</p> <p>.03 - 52.6 GPH .10 - 199 LPH</p>	<p>Pressures up to</p> <p>145 PSI (10 bar)</p>	<p>Turndown ratio</p> <p>2,000 : 1</p>	<p>Suction lift</p> <p>19 ft. (at sea level)</p>
<p>Exclusive</p> <p>Diaphragm Failure Detection (DFD)</p>	<p>Motor</p> <p>Brushless DC Motor</p>	<p>Weight</p> <p>53 lb. (24.04 kg)</p>	<p>Warranty</p> <p>5 Years</p>

Dimensions



Dim	Inch	cm	Dim	Inch	cm
A	16.13"	40.97	F	4.00"	10.15
B	16.29"	41.37	G	8.86"	22.50
C	14.12"	35.86	H	2.50"	6.35
D	8.30"	21.08	I	1.10"	2.79
E	7.24"	18.37			

What's in the box

- MD3 Multi-Diaphragm Metering Pump
- Suction foot valve, PVDF, 1/2" MNPT or 1/2" Hose Barb
- Mounting hardware kit, including extended mounting brackets
- Fitting Kit (model specific)
 - 1/2" M/NPT Elbow connections, or
 - 1/2" M/NPT Straight connections, or
 - 1/2" Hose barb Straight connections, or
 - 1/2" Hose Barb Elbow connections
 - Union nuts
- Quick Start Guide
- Not included: Injector, Suction Tubing, Discharge Tubing, M12 Cables**



Model Number Matrix

CHEM-FEED® Model Number

MD3S	CHEM-FEED® Multi-Diaphragm Metering Pump						
Maximum Strokes per Minute							
2	380 SPM (190 RPM)						
Input Voltage / Power Cord							
4	115V / 60Hz, power cord NEMA 5/15 plug (US)						
5	230V / 60Hz, power cord NEMA 6/15 plug (US)						
6	220V / 50HZ, power cord CEE 7/VII plug (EU)						
8	240V / 50Hz, power cord AS 3112 plug (Australia/New Zealand)						
9	230V / 50HZ, power cord BS 1363/A plug (United Kingdom)						
X	No Power Cord (Pump requires power cord. See accessories for other power cord options)						
Stroke Length / Diaphragm Size							
4	.090" Stroke - Large Diaphragm						
Electrical							
X	Standard Equipment - C13 power cord connector, six M12 signal connectors, Ethernet/Modbus port & Profibus M12 connector.						
Elastomer Material (O-Rings)							
V	DiaFlex® Diaphragms and TFE/P O-rings (For most chemicals. Not compatible with Sodium Hydroxide and Aqueous Ammonia)						
E	Flex-A-Prene® Diaphragms and EPDM O-rings (for Sodium Hydroxide and Aqueous Ammonia)						
Pump Head Fittings and Foot Valve							
X	1/2" M/NPT Elbow Fittings & 1/2" M/NPT Footvalve						
M	1/2" M/NPT Straight Fittings & 1/2" M/NPT Footvalve						
B	1/2" Barb Straight Fittings & 1/2" Barb Footvalve						
C	1/2" Barb Elbow Fittings & 1/2" Barb Footvalve						
MD3S	2	4	4	X	V	X	Sample Model Number

Accessories

 <p>KIT-PSM Wall Mount Bracket, HDPE</p>	 <p>71000-579 PVDF INJECTOR, 1/2" Hose Barb 71000-577 PVDF INJECTOR, 1/2" MNPT</p>	 <p>76001-361 Suction Tubing, Clear PVC, 1/2" ID, 8ft 90008-437 Discharge Tubing, Braided PVC, 1/2" ID</p>	<p>Ball Check Cartridge Options</p> <p>20000-229 (2 req.) Ball Check Cart. PTFE Balls 20000-228 (2 req.) Ball Check Cart. Hastelloy Balls 70001-409 (4 req.) Ball Check Cart., Single Ceramic Ball with Hastelloy Spring</p>
 <p>KIT-M12 Two M12 Cables - 9.8 ft.</p>	 <p>KIT-DP3 Profibus Cable, 3 ft.</p>	<p>90010-663 115V/60Hz NEMA 5/15 90010-664 220V/50Hz CEE 7/V11 90010-665 230V/50Hz BS 1363/A 90010-666 240V/50Hz AS 3112 90010-696 230V/60Hz NEMA 6/15 90010-711 115V Lockable</p> <p>POWER CABLES - 6 ft</p>	

Visit Accessory Pages for More Options

DIAPHRAGM PUMP WARRANTY

LIMITED WARRANTY

Your Blue-White product is a quality product and is warranted for a specific time from date of purchase (proof of purchase is required). The product will be repaired or replaced at our discretion. Failure must have occurred due to defect in material or workmanship and not as a result of operation of the product other than in normal operation as defined in the product manual. Warranty status is determined by the product's serial label and the sales invoice or receipt. The serial label must be on the product and legible. The warranty status of the product will be verified by Blue-White or a factory authorized service center.

CHEM-FEED® C2 and C3 pumps are warranted for 2 years from date of purchase (proof of purchase is required). CHEM-FEED® MD1 and MD3 pumps are warranted for 5 years from date of purchase (proof of purchase is required). Pumps will be repaired or replaced at our discretion.

WHAT IS NOT COVERED

- Rubber components and wear components. Diaphragms, ball checks, O-rings, etc. They are perishable and require periodic replacement.
- Pump removal, or re-installation, and any related labor charge.
- Freight to the factory, or service center.
- Products that have been tampered with, or in pieces.
- Damage resulting from misuse, carelessness such as chemical spills on the enclosure, abuse, lack of maintenance, or alteration which is out of our control.
- Damage by faulty wiring, power surges or acts of nature.

BLUE-WHITE does not assume responsibility for any loss, damage, or expense directly or indirectly related to or arising out of the use of its products. Failure must have occurred due to defect in material or workmanship and not as a result of operation of the product other than in normal operation as defined in the pump manual.

Warranty status is determined by the pump's serial label and the sales invoice or receipt. The serial label must be on the pump and legible. The warranty status of the pump will be verified by Blue-White or a factory authorized service center.

PROCEDURE FOR IN WARRANTY REPAIR

Warranty service must be performed by the factory or an authorized service center. Contact the factory or local repair center to obtain a RMA (Return Material Authorization) number. It is recommended to include foot strainer and injection/check valve fitting since these devices may be clogged and part of the problem. Decontaminate, dry, and carefully pack the product to be repaired. Please enclose a brief description of the problem and proof of purchase. Prepay all shipping and insurance cost. COD shipments will not be accepted. Damage caused by improper packaging is the responsibility of the sender. When In-Warranty repair is completed, the factory pays for return shipping to the dealer or customer.

PRODUCT USE WARNING

Blue-White products are manufactured to meet the highest quality standards in the industry. Each product instruction manual includes a description of the associated product warranty and provides the user with important safety information. Purchasers, installers, and operators of Blue-White products should take the time to inform themselves about the safe operation of these products. In addition, Customers are expected to do their own due diligence regarding which products and materials are best suited for their intended applications. BLUE-WHITE is pleased to assist in this effort but does not guarantee the suitability of any particular product for any specific application as Blue-White does not have the same degree of familiarity with the application that the customer/end user has. While BLUE-WHITE will honor all of its product warranties according to their terms and conditions, Blue-White shall only be obligated to repair or replace its defective parts or products in accordance with the associated product warranties.

BLUE-WHITE SHALL NOT BE LIABLE EITHER IN TORT OR IN CONTRACT FOR ANY LOSS OR DAMAGE WHETHER DIRECT, INDIRECT, INCIDENTAL, OR CONSEQUENTIAL, ARISING OUT OF OR RELATED TO THE FAILURE OF ANY OF ITS PARTS OR PRODUCTS OR OF THEIR UNSUITABILITY FOR A GIVEN PURPOSE OR APPLICATION.

CHEMICAL RESISTANCE WARNING

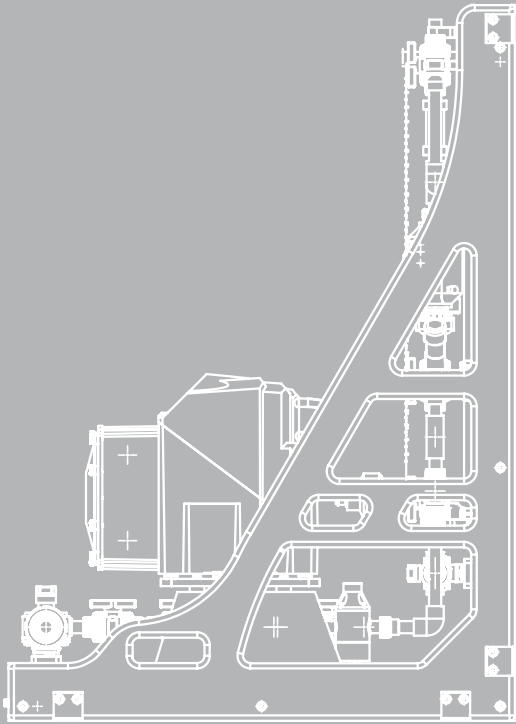
BLUE-WHITE offers a wide variety of wetted parts. Purchasers, installers, and operators of Blue-White products must be well informed and aware of the precautions to be taken when injecting or measuring various chemicals, especially those considered to be irritants, contaminants or hazardous. Customers are expected to do their own due diligence regarding which products and materials are best suited for their applications, particularly as it may relate to the potential effects of certain chemicals on Blue-White products and the potential for adverse chemical interactions. Blue-White tests its products with water only. The chemical resistance information included in this instruction manual was supplied to BLUE-WHITE by reputable sources, but Blue-White is not able to vouch for the accuracy or completeness thereof. While BLUE-WHITE will honor all of its product warranties according to their terms and conditions, Blue-White shall only be obligated to repair or replace its defective parts or products in accordance with the associated product warranties.

BLUE-WHITE SHALL NOT BE LIABLE EITHER IN TORT OR IN CONTRACT FOR ANY LOSS OR DAMAGE, WHETHER DIRECT, INDIRECT, INCIDENTAL, OR CONSEQUENTIAL, ARISING OUT OF OR RELATED TO THE USE OF CHEMICALS IN CONNECTION WITH ANY BLUE-WHITE PRODUCTS.

Users of electrical and electronic equipment (EEE) with the WEEE marking per Annex IV of the WEEE Directive must not dispose of end of life EEE as unsorted municipal waste, but use the collection framework available to them for the return, recycle, recovery of WEEE and minimize any potential effects of EEE on the environment and human health due to the presence of hazardous substances. The WEEE marking applies only to countries within the European Union (EU) and Norway. Appliances are labeled in accordance with European Directive 2002/96/EC. Contact your local waste recovery agency for a Designated Collection Facility in your area.

MUNICIPAL

Skid Systems



Blue-White[®]

CFPS-1

CHEM-FEED® Plastic Simplex Skid System



- > Chemically resistant polyethylene structure
- > Leak free, threadless connections
- > Pressure Relief Valve protects the system from over-pressurization
- > Check Valve protects the user from back-flow
- > Flow Indicator provides a visual indication of chemical movement

Highlights

Piping

PVC Schedule 80
(optional CPVC, PVDF,
and Chem Proline®)

Pressures up to

150 PSI
(10.3 bar)

Compatibility

M1, M2, M3, M4,
C2, C3, MD1,
MD3

Drip tray

2.22 Gal
(8.4L)

Frame material

Polyethylene

Mounting position

Floor or wall

Skid weight

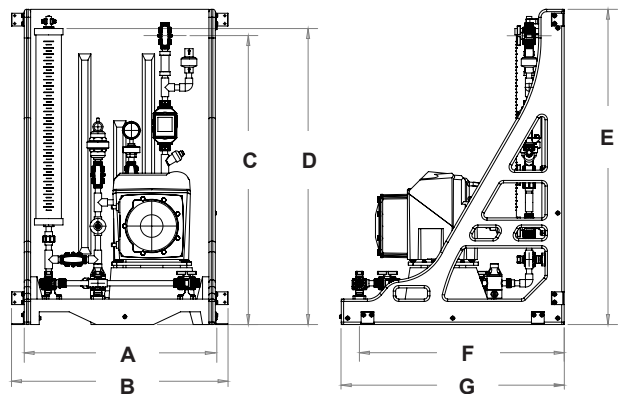
80 lb.
(36 Kg)

Warranty

2 Years

Dimensions

Dim	Inch	cm	Dim	Inch	cm
A	30.00"	76.20	E	49.50"	125.73
B	34.00"	86.36	F	32.15"	81.65
C	45.37"	115.24	G	35.00"	88.90
D	46.47"	118.04			



What's in the box

Standard

- Pressure Relief Valve
- Check Valve
- Flow Indicator
- Inlet Y Strainer
- Inlet/outlet connection tubing
- Wall/Floor Mounting brackets
- USB Drive (Operating Manual)

Optional Components(See product matrix)

- Calibration Cylinder
- Pulsation Dampener
- Pressure Gauge with Guard
- Pressure Switch
- Back Pressure Valve
- MS6 Chemical Flow meter
- Terminal Box
- Electrical Outlet Box



Model Number Matrix

*Consult factory for pricing

CFPS-1-M

CHEM-FEED® Simplex Skid System Matrix - Municipal

CFPS-1	Single pump system - PE structure																	
Inlet/Outlet																		
A	Single Inlet / Single Outlet																	
X	None, Skid Panel Only																	
Piping/Unions																		
A	PVC				B	CPVC				C	PVDF				D	Chem Proline®		
Seals																		
V	FKM				E	EPDM												
Tubing Connections (Verify tubing connection matches pump outlet when ordering)																		
A	1/2" ID PVC Braided				B	1/2" ID PTFE				C	1/4" ID PE				D	1/4" ID PTFE		
Calibration Column																		
A	128 GPH (4000 mL) PVC				F	3 GPH (100 mL) PVC												
B	64 GPH (2000 mL) PVC				P	32 GPH (1000 mL) Glass												
C	32 GPH (1000 mL) PVC				Q	16 GPH (500 mL) Glass												
D	16 GPH (500 mL) PVC				R	6 GPH (200 mL) Glass												
E	8 GPH (250 mL) PVC				S	3 GPH (100 mL) Glass												
Pulsation Dampener																		
P	10 cubic in				X	Not Included												
Back Pressure Valve																		
B	Included				X	Not Included												
Pressure Gauge w/Guard																		
A	200 PSI				B	100 PSI				C	30 PSI							
Pressure Switch w/Guard																		
S	Included				X	Not Included												
Flow Meter w/Strainer																		
A	10-5000 mL/m				B	100-10000 mL/m												
X	Not Included																	
Terminal Box																		
TA	M3S/M4S/MD3S				TD	M3/M4/MD3(Legacy)												
TB	M1/MD1				X	Not Included												
TC	M2/C2/C3																	
Pumps																		
P	Mounted				X	Not Included												
*reference Adapter Kits Sheet 85000-198 when ordering with pumps utilizing "M = 1/2"MNPT " or "F = 1/2"FNPT" connections.																		
CFPS-1	M	A	A	V	A	-	A	P	B	A	S	A	TA	P	Sample Model Number			

NOTE: When ordering pumps for skids, pump head orientation is standard LEFT facing only. All skids are pressure tested prior to shipment. Pumps are purchased and shipped separately. Contact factory for quote/pricing on 5-point performance testing. **Customer is responsible for ensuring skid components are compatible with any chemicals being used.**

CFPS-2

CHEM-FEED[®] Plastic Duplex Skid System



- > Chemically resistant polyethylene structure
- > Leak free, threadless connections
- > Pressure Relief Valve protects the system from over-pressurization
- > Check Valve protects the user from back-flow
- > Flow Indicator provides a visual indication of chemical movement

Highlights

Piping

PVC Schedule 80
(optional CPVC, PVDF,
and Chem Proline[®])

Pressures up to

150 PSI
(10.3 bar)

Compatibility

M1, M2, M3, M4,
C2, C3, MD1, MD3

Drip tray

2.3 Gal
(11.4L)

Frame material

Polyethylene

Mounting position

Floor or wall

Skid weight

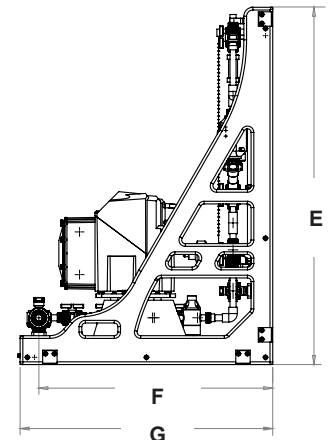
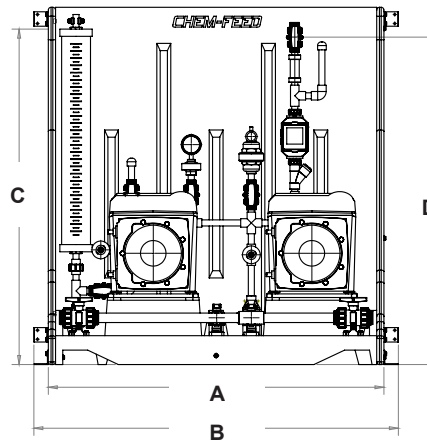
120 lb.
(54 kg)

Warranty

2 Years

Dimensions

Dim	Inch	cm	Dim	Inch	cm
A	46.50"	118.11	E	49.50"	125.73
B	50.50"	128.27	F	32.40"	82.30
C	46.47"	118.04	G	35.00"	88.90
D	45.37"	115.24			



What's in the box

Standard

- Pressure Relief Valve
- Check Valve
- Flow Indicator
- Inlet Y Strainer
- Inlet/outlet connection tubing
- Wall/Floor Mounting brackets
- USB Drive (Operating Manual)

Optional Components(See product matrix)

- Calibration Cylinder
- Pulsation Dampener
- Pressure Gauge with Guard
- Pressure Switch
- Back Pressure Valve
- MS6 Chemical Flow meter
- Terminal Box
- Electrical Outlet Box



Model Number Matrix

CHEM-FEED® Duplex Skid System Matrix - Municipal

*Consult factory for pricing

CFPS-2-M

CFPS-2	Dual pump system - PE structure																		
Inlet/Outlet																			
A	Single Inlet / Single Outlet																		
B	Single Inlet / Dual Outlet																		
X	None, Skid Panel Only																		
Piping/Unions																			
A	PVC				B	CPVC				C	PVDF				D	Chem Proline®			
Seals																			
V	FKM				E	EPDM													
Tubing Connections (Verify tubing connection matches pump outlet when ordering)																			
A	1/2" ID PVC Braided				B	1/2" ID PTFE				C	1/4" ID PE				D	1/4" ID PTFE			
Calibration Column																			
A	128 GPH (4000 mL) PVC				F	3 GPH (100 mL) PVC													
B	64 GPH (2000 mL) PVC				P	32 GPH (1000 mL) Glass													
C	32 GPH (1000 mL) PVC				Q	16 GPH (500 mL) Glass													
D	16 GPH (500 mL) PVC				R	6 GPH (200 mL) Glass													
E	8 GPH (250 mL) PVC				S	3 GPH (100 mL) Glass													
Pulsation Dampener (One dampener provided. Contact factory for second dampener.)																			
P	10 cubic in				X	Not Included													
Back Pressure Valve																			
B	Included				X	Not Included													
Pressure Gauge w/Guard																			
A	200 PSI				B	100 PSI				C	30 PSI								
Pressure Switch w/Guard																			
S	Included				X	Not Included													
Flow Meter w/Strainer																			
A	10-5000 mL/m				B	100-10000 mL/m													
X	Not Included																		
Terminal Box																			
TA	M3S/M4S/MD3S				TD	M3/M4/MD3 (Legacy)													
TB	M1/MD1				X	Not Included													
TC	M2/C2/C3																		
Pumps																			
P	Mounted*				X	Not Included													
*reference Adapter Kits Sheet 85000-198 when ordering with pumps utilizing "M = 1/2"MNPT" or "F = 1/2"FNPT" connections.																			
CFPS-2	M	A	A	V	A	-	A	P	B	A	S	A	TA	P	Sample Model Number				

NOTE: When ordering pumps for skids, pump head orientation is standard LEFT facing only. *When ordering skid with pumps of different model numbers, please include complete model number of each pump and location on skid with order. Contact factory for quote/pricing on 5-point performance testing. Customer is responsible for ensuring skid components are compatible with any chemicals being used.

CFPS-3

CHEM-FEED® Plastic Triplex Skid System



- > Chemically resistant polyethylene structure
- > Leak free, threadless connections
- > Pressure Relief Valve protects the system from over-pressurization
- > Check Valve protects the user from back-flow
- > Flow Indicator provides a visual indication of chemical movement

Highlights

Piping

PVC Schedule 80
(optional CPVC, PVDF,
and Chem Proline®)

Pressures up to

150 PSI
(10.3 bar)

Compatibility

M1, M2, M3, M4,
C2, C3, MD1, MD3

Drip tray

2.74 Gallons
(10.37L)

Frame material

Polyethylene

Mounting position

Floor only

Skid weight

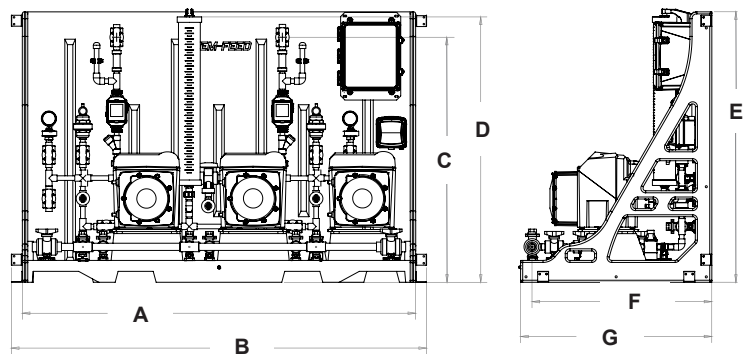
200 lb.
(91 Kg)

Warranty

2 Years

Dimensions

Dim	Inch	cm	Dim	Inch	cm
A	72.00"	182.88	E	49.50"	125.73
B	76.00"	193.04	F	32.91"	83.59
C	44.85"	113.92	G	35.00"	88.90
D	48.57"	123.37			



What's in the box

Standard

- Pressure Relief Valve
- Check Valve
- Flow Indicator
- Inlet Y Strainer
- Inlet/outlet connection tubing
- Wall/Floor Mounting brackets
- USB Drive (Operating Manual)

Optional Components(See product matrix)

- Calibration Cylinder
- Pulsation Dampener
- Pressure Gauge with Guard
- Pressure Switch
- Back Pressure Valve
- MS6 Chemical Flow meter
- Terminal Box
- Electrical Outlet Box



Model Number Matrix

*Consult factory for pricing

CFPS-3-M

CHEM-FEED® Triplex Skid System Matrix - Municipal

CFPS-3	Triplex pump system - PE structure														
Inlet/Outlet															
A	Single Inlet / Dual Outlet														
B	Single Inlet / Triple Outlet														
X	None, Skid Panel Only														
Piping/Unions															
A	PVC			B	CPVC			C	PVDF			D	Chem Proline®		
Seals															
V	FKM			E	EPDM										
Tubing Connections (Verify tubing connection matches pump outlet when ordering)															
A	1/2" ID PVC Braided			B	1/2" ID PTFE			C	1/4" ID PE			D	1/4" ID PTFE		
Calibration Column															
A	128 GPH (4000 mL) PVC					F	3 GPH (100 mL) PVC								
B	64 GPH (2000 mL) PVC					P	32 GPH (1000 mL) Glass								
C	32 GPH (1000 mL) PVC					Q	16 GPH (500 mL) Glass								
D	16 GPH (500 mL) PVC					R	6 GPH (200 mL) Glass								
E	8 GPH (250 mL) PVC					S	3 GPH (100 mL) Glass								
Pulsation Dampener (Two dampeners provided)															
P	10 cubic in					X	Not Included								
Back Pressure Valve															
B	Included					X	Not Included								
Pressure Gauge w/Guard															
A	200 PSI			B	100 PSI			C	30 PSI						
Pressure Switch w/Guard															
S	Included					X	Not Included								
Flow Meter w/Strainer															
A	10-5000 mL/m					B	100-10000 mL/m								
X	Not Included														
Terminal Box															
TA	M3S/M4S/MD3S					TD	M3/M4/MD3 (Legacy)								
TB	M1/MD1					X	Not Included								
TC	M2/C2/C3														
Pumps															
P	Mounted*					X	Not Included								
*reference Adapter Kits Sheet 85000-198 when ordering with pumps utilizing "M = 1/2"MNPT" or "F = 1/2"FNPT" connections.															
CFPS-3	M	A	A	V	A	-	A	P	B	A	S	A	TA	P	Sample Model Number

NOTE: When ordering pumps for skids, pump head orientation is standard LEFT facing only. When ordering skid with pumps of different model numbers, please include complete model number of each pump and location on skid with order. Contact factory for quote/pricing on 5-point performance testing. **Customer is responsible for ensuring skid components are compatible with any chemicals being used.**

CFWS-1

CHEM-FEED® Wall Mount Simplex Skid System

- > Chemically resistant polyethylene structure
- > Leak free, threadless connections
- > Pressure Relief Valve protects the system from over-pressurization
- > Check Valve protects the user from back-flow
- > Flow Indicator provides a visual indication of chemical movement



Highlights

Piping

PVC Schedule 80
(optional CPVC, PVDF,
and Chem Proline®)

Pressures up to

150 PSI
(10.3 bar)

Compatibility

M1, M2, M3, M4,
C2, C3, MD1, MD3

Pump Shelf

Polyethylene

Frame material

Polyethylene

Mounting position

Wall Only

Skid weight

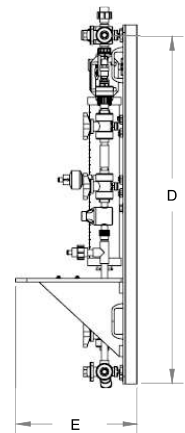
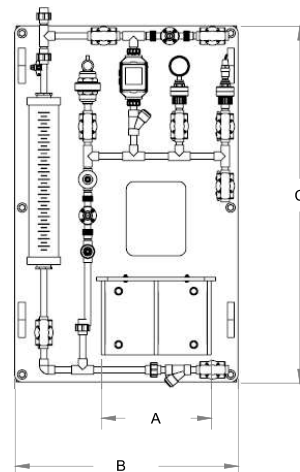
45 lb.
(20 Kg)

Warranty

2 Years

Dimensions

Dim	Inch	cm	Dim	Inch	cm
A	14.75"	37.5	D	46.63"	118.4
B	30.00"	76.2	E	17.29"	43.9
C	48.00"	121.9			



What's in the box

Standard

- Pressure Relief Valve
- Check Valve
- Inlet Y Strainer
- Inlet/outlet connection tubing
- Wall Mounting brackets
- USB Drive (Operating Manual)

Optional Components(See product matrix)

- Calibration Cylinder
- Pulsation Dampener
- Pressure Gauge with Guard
- Pressure Switch
- Back Pressure Valve
- MS6 Chemical Flow meter
- Terminal Box
- Electrical Outlet Box



Model Number Matrix

*Consult factory for pricing

CFWS-1-M

CHEM-FEED® Simplex Wall Skid System Matrix - Municipal

CFWS-1 Single pump system - single chemical / single outlet, PE structure

Inlet/Outlet

A	Single Inlet / Single Outlet
X	None, Skid Panel Only

Piping/Unions

A	PVC	C	PVDF
B	CPVC	D	CHEM PROLINE®

Seals

V	FKM	E	EPDM
----------	-----	----------	------

Tubing Connections (Verify tubing connection matches pump outlet when ordering)

A	1/2" ID PVC Braided	C	1/4" ID PE
B	1/2" ID PTFE	D	1/4" ID PTFE

Calibration Column

A	128 GPH (4000 mL) PVC	F	3 GPH (100 mL) PVC
B	64 GPH (2000 mL) PVC	P	32 GPH (1000 mL) Glass
C	32 GPH (1000 mL) PVC	Q	16 GPH (500 mL) Glass
D	16 GPH (500 mL) PVC	R	6 GPH (200 mL) Glass
E	8 GPH (250 mL) PVC	S	3 GPH (100 mL) Glass

Pulsation Dampener

P	10 cubic in	X	Not Included
----------	-------------	----------	--------------

Back Pressure Valve

B	Included	X	Not Included
----------	----------	----------	--------------

Pressure Gauge w/Guard

A	200 PSI	B	100 PSI	C	30 PSI
----------	---------	----------	---------	----------	--------

Pressure Switch w/Guard

S	Included	X	Not Included
----------	----------	----------	--------------

Flow Meter w/Strainer

A	10-5000 mL/min
B	100-10000 mL/min
X	Not Included

*reference Adapter Kits Sheet 85000-198 when ordering with pumps utilizing "M = 1/2"MNPT" or "F = 1/2"FNPT" connections.

CFWS-1	M	A	A	V	A	A	P	B	A	S	A	X	X	Sample Model Number
---------------	----------	----------	----------	----------	----------	----------	----------	----------	----------	----------	----------	----------	----------	----------------------------

NOTES: When ordering pumps for skids, pump head orientation is standard LEFT facing only. Terminal Boxes quoted and mounted separately. All skids are pressure tested prior to shipment. Pumps are purchased and shipped separately. Contact factory for quote/pricing on 5-point performance testing. Customer is responsible for ensuring skid components are compatible with any chemicals being used.

CFWS-2

CHEM-FEED® Wall Mount Duplex Skid System

- > Chemically resistant polyethylene structure
- > Leak free, threadless connections
- > Pressure Relief Valve protects the system from over-pressurization
- > Check Valve protects the user from back-flow
- > Flow Indicator provides a visual indication of chemical movement



Highlights

Piping

PVC Schedule 80
(optional CPVC, PVDF,
and Chem Proline®)

Pressures up to

150 PSI
(10.3 bar)

Compatibility

M1, M2, M3, M4,
C2, C3, MD1, MD3

Pump Shelf

Polyethylene

Frame material

Polyethylene

Mounting position

Floor only

Skid weight

80 lb.
(36 Kg)

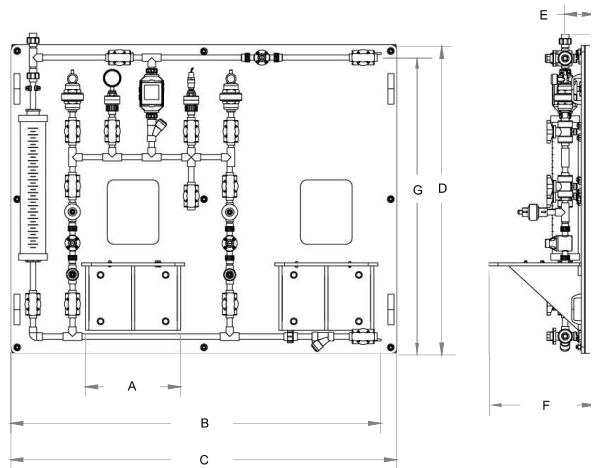
Warranty

2 Years

Dimensions

Dim	Inch	cm
A	14.75"	37.5
B	57.53"	146.1
C	60.00"	152.4
D	48.00"	121.9

Dim	Inch	cm
E	4.63"	117.0
F	14.38"	36.5
G	17.41"	44.2



What's in the box

Standard

- Pressure Relief Valve
- Check Valve
- Inlet Y Strainer
- Inlet/outlet connection tubing
- Wall Mounting brackets
- USB Drive (Operating Manual)

Optional Components(See product matrix)

- Calibration Cylinder
- Pulsation Dampener
- Pressure Gauge with Guard
- Pressure Switch
- Back Pressure Valve
- MS6 Chemical Flow meter
- Terminal Box
- Electrical Outlet Box



Model Number Matrix

*Consult factory for pricing

CFWS-2

CHEM-FEED® Duplex Wall Skid System Matrix - Municipal

CFWS-2 Duplex pump system - single chemical / single outlet, PE structure

Inlet/Outlet

A	Single Inlet / Single Outlet
X	None, Skid Panel Only

Piping/Unions

A	PVC	C	PVDF
B	CPVC	D	CHEM PROLINE®

Seals

V	FKM	E	EPDM
----------	-----	----------	------

Tubing Connections (Verify tubing connection matches pump outlet when ordering)

A	1/2" ID PVC Braided	C	1/4" ID PE
B	1/2" ID PTFE	D	1/4" ID PTFE

Calibration Column

A	128 GPH (4000 mL) PVC	F	3 GPH (100 mL) PVC
B	64 GPH (2000 mL) PVC	P	32 GPH (1000 mL) Glass
C	32 GPH (1000 mL) PVC	Q	16 GPH (500 mL) Glass
D	16 GPH (500 mL) PVC	R	6 GPH (200 mL) Glass
E	8 GPH (250 mL) PVC	S	3 GPH (100 mL) Glass

Pulsation Dampener (10 cubic in.)

P	Two Dampeners	D	One Dampener	X	Not Included
----------	---------------	----------	--------------	----------	--------------

Back Pressure Valve

B	Included	X	Not Included
----------	----------	----------	--------------

Pressure Gauge w/Guard

A	200 PSI	B	100 PSI	C	30 PSI
----------	---------	----------	---------	----------	--------

Pressure Switch w/Guard

S	Included	X	Not Included
----------	----------	----------	--------------

Flow Meter w/Strainer

A	10-5000 mL/min
B	100-10000 mL/min
X	Not Included

*reference Adapter Kits Sheet 85000-198 when ordering with pumps utilizing "M = 1/2"MNPT" or "F = 1/2"FNPT" connections.

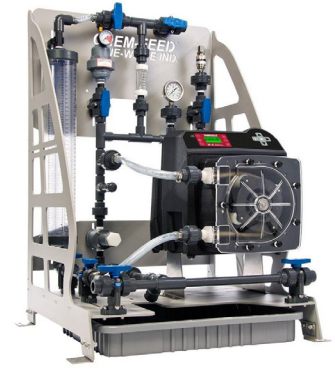
CFWS-2	M	A	A	V	A	A	P	B	A	S	A	X	X	Sample Model Number
---------------	----------	----------	----------	----------	----------	----------	----------	----------	----------	----------	----------	----------	----------	----------------------------

NOTES: When ordering pumps for skids, pump head orientation is standard LEFT facing only. Terminal Boxes quoted and mounted separately. All skids are pressure tested prior to shipment. Pumps are purchased and shipped separately. Contact factory for quote/pricing on 5-point performance testing. **Customer is responsible for ensuring skid components are compatible with any chemicals being used.**

CFS-1

CFS Skids are obsolete as of 1/1/25.
Reference CFCS Skids for alternate skid option.

CHEM-FEED® Aluminum Simplex Skid System



- > The pre-fabricated design allows for easy installation
- > Strong, lightweight polyester powder coated welded aluminum structure
- > Dual side inlets enable connection of multiple skids to the same inlet
- > Flow Indicator provides a visual indication of chemical movement
- > Optional Flow Verification Sensor for monitoring system

Highlights

Piping

PVC Schedule 80
(optional CPVC)

Pressures up to

150 PSI
(10.3 bar)

Compatibility

M1, M2, M3, M4,
C2, C3, MD1, MD3

Drip tray

4 Gallons
(15.1L)

Frame material

Powder coated
aluminum

Mounting position

Floor or wall

Skid weight

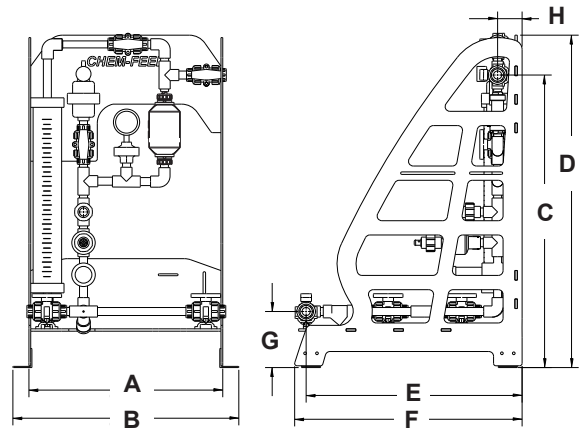
60 lb.
(27.2 kg)

Warranty

2 Years

Dimensions

Dim	Inch	cm	Dim	Inch	cm
A	20.25"	51.40	E	22.75"	57.80
B	23.75"	60.30	F	24.00"	61.00
C	30.75"	78.10	G	6.00"	15.20
D	35.00"	88.90	H	2.50"	6.40



What's in the box

Standard

- Pressure Relief Valve
- Check Valve
- Flow Indicator
- Inlet Y Strainer
- Mounting Pads
- USB Drive (Operating Manual)

Optional Components(See product matrix)

- MS6 Chemical Flow meter
- Calibration Cylinder
- Pulsation Dampener
- Pressure Gauge with Guard



CFS Skids are obsolete as of 1/1/25.
Reference CFCS Skids for alternate skid option.

Model Number Matrix

**CFS Skids are obsolete as of 1/1/25.
Reference CFCS Skids for alternate skid option.**

CFS-1-M

CHEM-FEED® Engineered Skid System - Municipal

CFS-1 Municipal Single pump system - single chemical / single outlet

Piping / Valves / Unions / Seal Materials (Verify tubing connection matches pump outlet when ordering)

A	PVC piping, FKM seals, 1/2" ID PVC braided tubing connections	E	CPVC piping, FKM seals 1/2" ID PVC braided tubing connections
B	PVC piping, EPDM seals, 1/2" ID PVC braided tubing connections	F	CPVC piping, EPDM seals 1/2" ID OD PVC braided tubing connections
C	PVC piping, FKM seals, 1/4" ID polyethylene tubing connections	G	CPVC piping, FKM seals 1/4" ID Polyethylene tubing connections
D	PVC piping, EPDM seals, 1/4" ID Polyethylene tubing connections	H	CPVC piping, EPDM seals 1/4" ID Polyethylene tubing connections
X	Skid frame only without piping		

Structure Assembly Materials

A	Chemical resistant powder coated aluminum stand with 316SS mounting pads
----------	--

Chemical Feed Flow Meter

A	MS612 chemical feed flow meter with meter mount display, 10-5,000 mL/min (0.158 - 79.2 GPH)
B	MS622 chemical feed flow meter with meter mount display, 100-10,000 mL/min (1.58 - 158.5 GPH)
X	None

Calibration Cylinder

		PVC		Glass	
A	64 GPH (2000 mL)	A			
B	32 GPH (1000 mL)	B		P	32 GPH (1000 mL)
C	16 GPH (500 mL)	C		Q	16 GPH (500 mL)
D	8 GPH (250 mL)	D		R	6 GPH (200 mL)
E	3 GPH (100 mL)	E		S	3 GPH (100 mL)
X	None				

Pulsation Dampener

A	10 cubic inch, CPVC body, PTFE diaphragm	X	NONE
----------	--	----------	------

Pressure Gauge w/Guard

A	200 PSI gauge, PTFE diaphragm	C	30 PSI gauge, PTFE diaphragm
B	100 PSI gauge, PTFE diaphragm	X	None

Pump Isolation Valve

(Blank)	None
A	Isolation ball shut-off valves at check valve

*reference Adapter Kits Sheet 85000-198 when ordering with pumps utilizing "M = 1/2"MNPT" or "F = 1/2"FNPT" connections.

CFS-1	A	A	-	A	A	A	A	-		Sample Model Number
-------	---	---	---	---	---	---	---	---	--	----------------------------

NOTES: When ordering pumps for skids, pump head orientation is standard LEFT facing only. Terminal Boxes quoted and mounted separately. All skids are pressure tested prior to shipment. Pumps are purchased and shipped separately. Contact factory for quote/pricing on 5-point performance testing. Customer is responsible for ensuring skid components are compatible with any chemicals being used.

**CFS Skids are obsolete as of 1/1/25.
Reference CFCS Skids for alternate skid option.**

CFS-2

CFS Skids are obsolete as of 1/1/25.
Reference CFCS Skids for alternate skid option.

CHEM-FEED® Aluminum Duplex Skid System



- > The pre-fabricated design allows for easy installation
- > Strong, lightweight polyester powder coated welded aluminum structure
- > Dual side inlets enable connection of multiple skids to the same inlet
- > Flow Indicator provides a visual indication of chemical movement
- > Optional Flow Verification Sensor for monitoring system

Highlights

Piping

PVC Schedule 80
(optional CPVC)

Pressures up to

150 PSI
(10.3 bar)

Compatibility

M1, M2, M3, M4,
C2, C3, MD1, MD3

Drip tray

8 Gallons
(30.3L)

Frame material

Powder coated
aluminum

Mounting position

Floor or wall

Skid weight

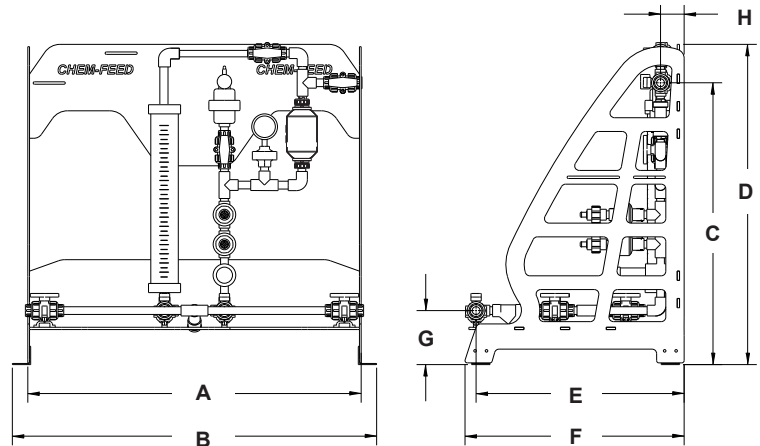
70 lb.
(31.8 kg)

Warranty

2 Years

Dimensions

Dim	Inch	cm	Dim	Inch	cm
A	36.25"	92.10	E	22.75"	57.80
B	39.75"	101.00	F	24.00"	61.00
C	30.75"	78.10	G	6.00"	15.20
D	35.00"	88.90	H	2.50"	6.40



What's in the box

Standard

- Pressure Relief Valve
- Check Valve
- Flow Indicator
- Inlet Y Strainer
- Mounting Pads
- USB Drive (Operating Manual)

Optional Components(See product matrix)

- MS6 Chemical Flow meter
- Calibration Cylinder
- Pulsation Dampener
- Pressure Gauge with Guard

CFS Skids are obsolete as of 1/1/25.
Reference CFCS Skids for alternate skid option.



CFS Skids are obsolete as of 1/1/25.
Reference CFCS Skids for alternate skid option.

Model Number Matrix

CHEM-FEED® Engineered Skid System - Municipal

CFS-2 Municipal Dual pump system - single chemical / single outlet

Piping / Valves / Unions / Seal Materials (Verify tubing connection matches pump outlet when ordering)

A	PVC piping, FKM seals, 1/2" ID PVC braided tubing connections	E	CPVC piping, FKM seals, 1/2" ID PVC braided tubing connections
B	PVC piping, EPDM seals, 1/2" ID PVC braided tubing connections	F	CPVC piping, EPDM seals, 1/2" ID PVC braided tubing connections
C	PVC piping, FKM seals, 1/4" ID polyethylene tubing connections	G	CPVC piping, FKM seals, 1/4" ID Polyethylene tubing connections
D	PVC piping, EPDM seals, 1/4" ID Polyethylene tubing connections	H	CPVC piping, EPDM seals, 1/4" ID Polyethylene tubing connections
X	Skid frame only without piping		

Structure Assembly Materials

A Chemical resistant powder coated aluminum stand with 316SS mounting pads

Chemical Feed Flow Meter

A	MS612 chemical feed flow meter with meter mount display, 10-5,000 mL/min (0.158 - 79.2 GPH)
B	MS622 chemical feed flow meter with meter mount display, 100-10,000 mL/min (1.58 - 158.5 GPH)
X	None

Calibration Cylinder

	PVC		Glass	
A	A			64 GPH (2000 mL)
B	B		P	32 GPH (1000 mL)
C	C		Q	16 GPH (500 mL)
D	D		R	6 GPH (200 mL)
E	E		S	3 GPH (100 mL)
X				None

Pulsation Dampener

A 10 cubic inch, CPVC body, PTFE diaphragm **X** None

Pressure Gauge w/Guard

A	200 PSI gauge, PTFE diaphragm	C	30 PSI gauge, PTFE diaphragm
B	100 PSI gauge, PTFE diaphragm	X	None

Pump Isolation Valves

(Blank)	None
A	Isolation ball shut-off valves at check valves

Piping Orientation

(Blank)	Standard
R	Reversed

*reference Adapter Kits Sheet 85000-198 when ordering with pumps utilizing "M = 1/2"MNPT" or "F = 1/2"FNPT" connections.

CFS-2 A A - A A A A - **Sample Model Number**

NOTES: When ordering pumps for skids, pump head orientation is standard LEFT facing for right pump, and Right facing for left pump.. Terminal Boxes quoted and mounted separately. All skids are pressure tested prior to shipment. Pumps are purchased and shipped separately. Contact factory for quote/pricing on 5-point performance testing. **Customer is responsible for ensuring skid components are compatible with any chemicals being used.**

CFS Skids are obsolete as of 1/1/25.
Reference CFCS Skids for alternate skid option.

CFCS-1

CHEM-FEED® Compact Simplex Skid System

- > The pre-fabricated compact design allows for easy installation
- > Strong, lightweight polyethylene welded structure
- > Dual side inlets enable connection of multiple skids to the same inlet
- > Flow Indicator provides a visual indication of chemical movement
- > Integrated spill containment



Highlights

Piping

PVC Schedule 80
(optional CPVC)

Pressures up to

150 PSI
(10.3 bar)

Compatibility

M1, M2, M3, M4,
C2, C3, MD1, MD3

Drip tray

1.8 Gallons
(7 L)

Frame material

Polyethylene

Mounting position

Floor or wall

Skid weight

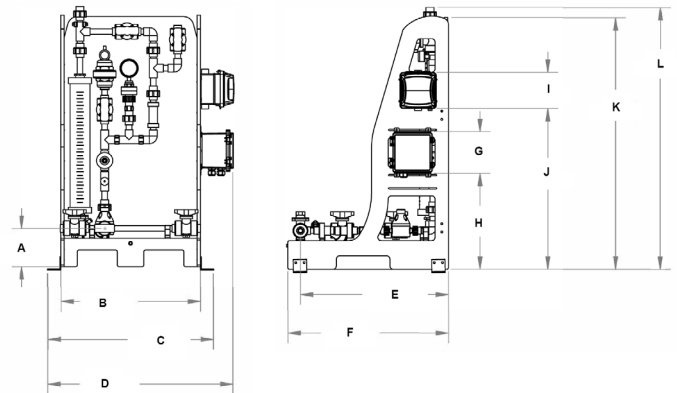
60 lb.
(27.2 kg)

Warranty

2 Years

Dimensions

Dim	Inch	cm	Dim	Inch	cm	Dim	Inch	cm
A	5.75"	14.60	E	22.11"	56.16	I	5.42"	13.77
B	21.00"	53.34	F	24.00"	61.00	J	23.92"	60.76
C	24.88"	63.20	G	6.24"	15.85	K	37.53"	95.33
D	27.86"	70.76	H	14.24"	36.17	L	39.05"	99.20



What's in the box

Standard

- Pressure Relief Valve
- Check Valve
- Flow Indicator
- Inlet Y Strainer
- Mounting Pads
- Calibration Column

Optional Components(See product matrix)

- Pulsation Dampener
- Pressure Gauge with Guard
- Terminal Box



Model Number Matrix

CHEM-FEED® Compact Skid System Matrix - Simplex

CFCS-1	X	Single pump system - single chemical / single outlet - PE structure																	
Inlet/Outlet																			
A	Single Inlet / Single Outlet																		
X	None, Skid Panel Only																		
Piping/Unions																			
A	PVC					B	CPVC												
Seals																			
V	FKM					E	EPDM												
Tubing Connections (Verify tubing connection matches pump outlet when ordering)																			
A	1/2" ID PVC Braided				B	1/2" ID PTFE				C	1/4" ID PE				D	1/4" ID PTFE			
Calibration Columnn																			
B	64 GPH (2000 mL) PVC					P	32 GPH (1000 mL) Glass												
C	32 GPH (1000 mL) PVC					Q	16 GPH (500 mL) Glass												
D	16 GPH (500 mL) PVC					R	6 GPH (200 mL) Glass												
E	8 GPH (250 mL) PVC					S	3 GPH (100 mL) Glass												
F	3 GPH (100 mL) PVC																		
Pulsation Dampener																			
P	10 cubic in					X	Not Included												
X	Not Used																		
Pressure Gauge w/Guard																			
A	200 PSI					B	100 PSI					C	30 PSI						
X	Not Used																		
X	Not Used																		
Terminal Box																			
TA	S Series Pumps					TC	A2/M2/C2/C3												
TB	1 Series Pumps					X	Not Included												
Pumps																			
P	Mounted*					X	Not Included												
*reference Adapter Kits Sheet 85000-198 when ordering with pumps utilizing "M = 1/2"MNPT " or "F = 1/2"FNPT" connections.																			
CFCS-1	X	A	A	V	A	-	B	P	X	A	X	X	TA	P	Sample Model Number				

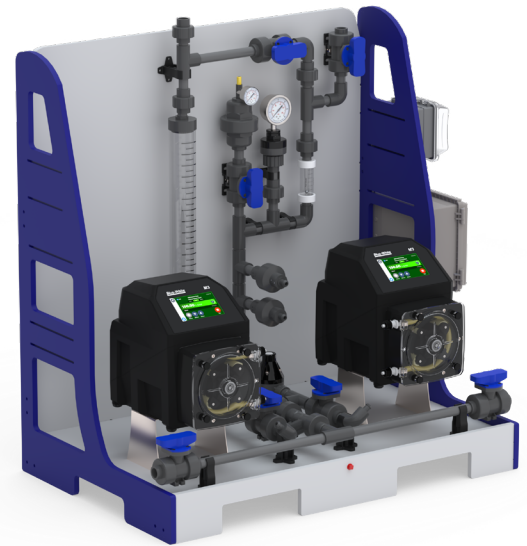
NOTE: When ordering pumps for skids, pump head orientation is standard LEFT facing only. All skids are pressure tested prior to shipment. Pumps are purchased and shipped separately. Contact factory for quote/pricing on 5-point performance testing.

Customer is responsible for ensuring skid components are compatible with any chemicals being used.

CFCS-2

CHEM-FEED® Compact Duplex Skid System

- > The pre-fabricated compact design allows for easy installation
- > Strong, lightweight polyethylene welded structure
- > Dual side inlets enable connection of multiple skids to the same inlet
- > Flow Indicator provides a visual indication of chemical movement
- > Integrated spill containment



Highlights

Piping

PVC Schedule 80
(optional CPVC)

Pressures up to

150 PSI
(10.3 bar)

Compatibility

M1, M2, M3, M4,
C2, C3, MD1, MD3

Drip tray

2.8 Gallons
(10.6L)

Frame material

Polyethylene

Mounting position

Floor or wall

Skid weight

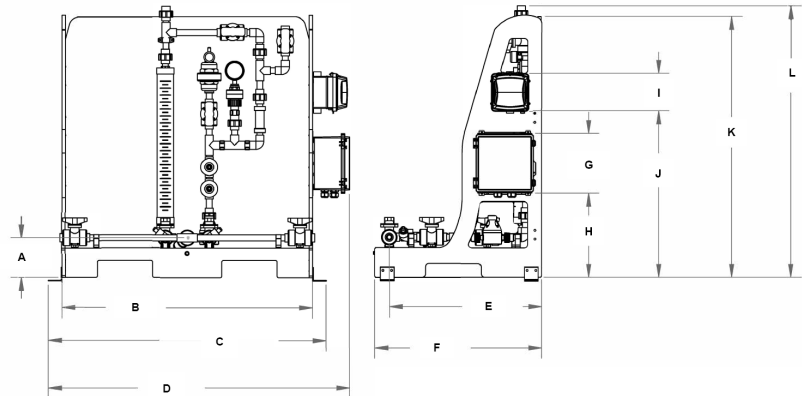
100 lb.
(45.4 kg)

Warranty

2 Years

Dimensions

Dim	Inch	cm	Dim	Inch	cm	Dim	Inch	cm
A	5.75"	14.60	E	21.89"	55.60	I	5.42"	13.77
B	32.25"	92.10	F	24.00"	61.00	J	23.92"	60.76
C	40.13"	101.90	G	8.59"	21.80	K	37.53"	95.33
D	43.49"	110.05	H	12.10"	30.70	L	39.05"	99.20



What's in the box

Standard

- Pressure Relief Valve
- Check Valve
- Flow Indicator
- Inlet Y Strainer
- Mounting Pads
- Calibration Column

Optional Components(See product matrix)

- Pulsation Dampener
- Pressure Gauge with Guard
- Terminal Box



Model Number Matrix

CHEM-FEED® Compact Skid System Matrix - Duplex

CFCS-2 **X** Dual pump system - single chemical / single outlet - PE structure

Inlet/Outlet

A	Single Inlet / Single Outlet
X	None, Skid Panel Only

Piping/Unions

A	PVC	B	CPVC
----------	-----	----------	------

Seals

V	FKM	E	EPDM
----------	-----	----------	------

Tubing Connections (Verify tubing connection matches pump outlet when ordering)

A	1/2" ID PVC Braided	B	1/2" ID PTFE	C	1/4" ID PE	D	1/4" ID PTFE
----------	------------------------	----------	-----------------	----------	---------------	----------	-----------------

Calibration Column

B	64 GPH (2000 mL) PVC	P	32 GPH (1000 mL) Glass
C	32 GPH (1000 mL) PVC	Q	16 GPH (500 mL) Glass
D	16 GPH (500 mL) PVC	R	6 GPH (200 mL) Glass
E	8 GPH (250 mL) PVC	S	3 GPH (100 mL) Glass
F	3 GPH (100 mL) PVC		

Pulsation Dampener

P	10 cubic in	X	Not Included
X	Not Used		

Pressure Gauge w/Guard

A	200 PSI	B	100 PSI	C	30 PSI
X	Not Used				
X	Not Used				

Terminal Box

TA	S Series Pumps	TC	A2/M2/C2/C3
TB	1 Series Pumps	X	Not Included

Pumps

P	Mounted*	X	Not Included
----------	----------	----------	--------------

*reference Adapter Kits Sheet 85000-198 when ordering with pumps utilizing "M = 1/2"MNPT " or "F = 1/2"FNPT" connections.

CFCS-2 **X** **A** **A** **V** **A** **-** **B** **P** **X** **A** **X** **X** **TA** **P** **Sample Model Number**

NOTE: When ordering pumps for skids, pump head orientation is standard LEFT facing only. All skids are pressure tested prior to shipment. Pumps are purchased and shipped separately. Contact factory for quote/pricing on 5-point performance testing.

Customer is responsible for ensuring skid components are compatible with any chemicals being used.

PUMP to SKID - ADAPTER KITS

An adapter kit must be added to skid orders (single, duplex, triplex) with the following pumps:

A1, M1, A2, M2, A3, M3, A4, M4. (with “M” type tube fittings)

C2, C3. (with “F” type connections.)

(Kits are not necessary when ordering CD3 or MD3 pumps, or pumps with “S”, “B”, or “Q” tube fittings.)

Number of adapter kits ordered must equal number of pumps.

No extra charge for the Kits when ordered with skids.

A1/M1 Pumps with “M” type tube fittings



KIT-CSP Kit Coupling S/A .37T .50F/NPT PVC

KIT-CSC Kit Coupling S/A .37T .50F/NPT CPVC



KIT-CBP Kit Coupling S/A .50 Barb .50F/NPT PVC

KIT-CBC Kit Coupling S/A .50 Barb .50F/NPT CPVC

A2/M2, A3/M3, A4/M4 Pumps with “M” type tube fittings



KIT-USPV Kit Union S/A .37T .50F/NPT PVC/FKM

KIT-USPE Kit Union S/A .37T .50F/NPT PVC/EP

KIT-USCV Kit Union S/A .37T .50F/NPT CPVC/FKM

KIT-USCE Kit Union S/A .37T .50F/NPT CPVC/EP



KIT-UBPV Kit Union S/A .50 Barb .50F/NPT PVC/FKM

KIT-UBPE Kit Union S/A .50 Barb .50F/NPT PVC/EP

KIT-UBCV Kit Union S/A .50 Barb .50F/NPT CPVC/FKM

KIT-UBCE Kit Union S/A .50 Barb .50F/NPT CPVC/EP

C2/C3 Pumps with “F” type connections



KIT-EBP Kit Elbow S/A .50 Barb .50 M/NPT PVC

SKID ACCESSORIES

Part No.	Description
Calibration Columns	
CC-0100P	Calibration Cylinder, 100mL, PVC, 1/2" Socket
CC-0250P	Calibration Cylinder, 250mL, PVC, 1/2" Socket
CC-0500P	Calibration Cylinder, 500mL, PVC, 3/4" Socket
CC-1000P	Calibration Cylinder, 1000mL, PVC, 3/4" Socket
CC-2000P	Calibration Cylinder, 2000mL, PVC, 1" Socket
CC-4000P	Calibration Cylinder, 4000mL, PVC, 1" Socket
Pressure Guages, Pressure Switches, and Guage Guards	
90008-439	Pressure Gauge, 0-30 psi range, 2.5" dia. dial, 304/316SS, 1/4" Male NPT connection
90008-440	Pressure Gauge, 0-100 psi range, 2.5" dia. dial, 304/316SS, 1/4" Male NPT connection
90008-441	Pressure Gauge, 0-200 psi range, 2.5" dia. dial, 304/316SS, 1/4" Male NPT connection
90018-037	Pressure Switch, 10-100 psi range, 1/2" conduit connection, loose wires (60 in.), 316SS, 1/4" Male NPT connection
90018-103	Pressure Switch, 20-200 psi range, 1/2" conduit connection, loose wires (60 in.), 316SS, 1/4" Male NPT connection
90008-746	Gauge Guard, GGU050POTT, PTFE Diaphragm, PVC Body, 1/2" Female NPT x 1/4" Female NPT
90008-768	Gauge Guard, GGU050COTT, PTFE Diaphragm, PVC Body, 1/2" Female NPT x 1/4" Female NPT
90008-868	Gauge Guard, GGU050KOTT, PTFE Diaphragm, PVDF Body, 1/2" Female NPT x 1/4" Female NPT
Pressure Relief Valves	
90008-748	Pressure Relief Valve, True Union, 1/2" Socket, PVC Body, FKM Diaphragm
90008-769	Pressure Relief Valve, True Union, 1/2" Socket, PVC Body, EP Diaphragm
90008-770	Pressure Relief Valve, True Union, 1/2" Socket, CPVC Body, FKM Diaphragm
90008-765	Pressure Relief Valve, True Union, 1/2" Socket, CPVC Body, EP Diaphragm
90018-093	Pressure Relief Valve, True Union, 1/2" Socket, PVC Body, PTFE Diaphragm
90008-922	Pressure Relief Valve, True Union, 1" Socket, PVC Body, FKM Diaphragm
90008-915	Pressure Relief Valve, Unibody, 1/2" Socket, PVC Body, FKM Diaphragm
90008-963	Pressure Relief Valve, Unibody, 1/2" Socket, PVC Body, EP Diaphragm
90018-032	Pressure Relief Valve, Unibody, 1/2" Socket, CPVC Body, FKM Diaphragm
90018-033	Pressure Relief Valve, Unibody, 1/2" Socket, CPVC Body, EP Diaphragm
Back Pressure Valves	
90008-923	Back-Pressure Valve, True Union, 1/2" Socket, PVC Body, FKM Diaphragm
90008-924	Back-Pressure Valve, True Union, 1/2" Socket, PVC Body, EP Diaphragm
90008-925	Back-Pressure Valve, True Union, 1/2" Socket, CPVC Body, FKM Diaphragm
90008-926	Back-Pressure Valve, True Union, 1/2" Socket, CPVC Body, EP Diaphragm
90008-887	Back-Pressure Valve, Unibody, 1/2" Socket, PVC Body, FKM Diaphragm
90018-034	Back-Pressure Valve, Unibody, 1/2" Socket, PVC Body, EP Diaphragm
90018-003	Back-Pressure Valve, Unibody, 1/2" Socket, CPVC Body, FKM Diaphragm
90018-035	Back-Pressure Valve, Unibody, 1/2" Socket, CPVC Body, EP Diaphragm

SKID SYSTEM WARRANTY

LIMITED WARRANTY

Your Blue-White product is a quality product and is warranted for a specific time from date of purchase (proof of purchase is required). The product will be repaired or replaced at our discretion. Failure must have occurred due to defect in material or workmanship and not as a result of operation of the product other than in normal operation as defined in the product manual. Warranty status is determined by the product's serial label and the sales invoice or receipt. The serial label must be on the product and legible. The warranty status of the product will be verified by Blue-White or a factory authorized service center.

CHEM-FEED® skid systems are warranted for 2 years from date of purchase (proof of purchase is required). The system will be repaired or replaced at our discretion. The metering pump may have its own warranty and is not covered under this warranty.

WHAT IS NOT COVERED

- Pump removal, or re-installation, and any related labor charge.
- Freight to the factory, or service center.
- Products that have been tampered with, or in pieces.
- Damage resulting from misuse, carelessness such as chemical spills on the enclosure, abuse, lack of maintenance, or alteration which is out of our control.
- Damage by faulty wiring, power surges or acts of nature.

BLUE-WHITE does not assume responsibility for any loss, damage, or expense directly or indirectly related to or arising out of the use of its products. Failure must have occurred due to defect in material or workmanship and not as a result of operation of the product other than in normal operation as defined in the pump manual.

Warranty status is determined by the pump's serial label and the sales invoice or receipt. The serial label must be on the pump and legible. The warranty status of the pump will be verified by Blue-White or a factory authorized service center.

PROCEDURE FOR IN WARRANTY REPAIR

Warranty service must be performed by the factory or an authorized service center. Contact the factory or local repair center to obtain a RMA (Return Material Authorization) number. It is recommended to include foot strainer and injection/check valve fitting since these devices may be clogged and part of the problem. Decontaminate, dry, and carefully pack the product to be repaired. Please enclose a brief description of the problem and proof of purchase. Prepay all shipping and insurance cost. COD shipments will not be accepted. Damage caused by improper packaging is the responsibility of the sender. When In-Warranty repair is completed, the factory pays for return shipping to the dealer or customer.

PRODUCT USE WARNING

Blue-White products are manufactured to meet the highest quality standards in the industry. Each product instruction manual includes a description of the associated product warranty and provides the user with important safety information. Purchasers, installers, and operators of Blue-White products should take the time to inform themselves about the safe operation of these products. In addition, Customers are expected to do their own due diligence regarding which products and materials are best suited for their intended applications. BLUE-WHITE is pleased to assist in this effort but does not guarantee the suitability of any particular product for any specific application as Blue-White does not have the same degree of familiarity with the application that the customer/end user has. While BLUE-WHITE will honor all of its product warranties according to their terms and conditions, Blue-White shall only be obligated to repair or replace its defective parts or products in accordance with the associated product warranties.

BLUE-WHITE SHALL NOT BE LIABLE EITHER IN TORT OR IN CONTRACT FOR ANY LOSS OR DAMAGE WHETHER DIRECT, INDIRECT, INCIDENTAL, OR CONSEQUENTIAL, ARISING OUT OF OR RELATED TO THE FAILURE OF ANY OF ITS PARTS OR PRODUCTS OR OF THEIR NONSUITABILITY FOR A GIVEN PURPOSE OR APPLICATION.

CHEMICAL RESISTANCE WARNING

BLUE-WHITE offers a wide variety of wetted parts. Purchasers, installers, and operators of Blue-White products must be well informed and aware of the precautions to be taken when injecting or measuring various chemicals, especially those considered to be irritants, contaminants or hazardous. Customers are expected to do their own due diligence regarding which products and materials are best suited for their applications, particularly as it may relate to the potential effects of certain chemicals on Blue-White products and the potential for adverse chemical interactions. Blue-White tests its products with water only. The chemical resistance information included in this instruction manual was supplied to BLUE-WHITE by reputable sources, but Blue-White is not able to vouch for the accuracy or completeness thereof. While BLUE-WHITE will honor all of its product warranties according to their terms and conditions, Blue-White shall only be obligated to repair or replace its defective parts or products in accordance with the associated product warranties.

BLUE-WHITE SHALL NOT BE LIABLE EITHER IN TORT OR IN CONTRACT FOR ANY LOSS OR DAMAGE, WHETHER DIRECT, INDIRECT, INCIDENTAL, OR CONSEQUENTIAL, ARISING OUT OF OR RELATED TO THE USE OF CHEMICALS IN CONNECTION WITH ANY BLUE-WHITE PRODUCTS.

Users of electrical and electronic equipment (EEE) with the WEEE marking per Annex IV of the WEEE Directive must not dispose of end of life EEE as unsorted municipal waste, but use the collection framework available to them for the return, recycle, recovery of WEEE and minimize any potential effects of EEE on the environment and human health due to the presence of hazardous substances. The WEEE marking applies only to countries within the European Union (EU) and Norway. Appliances are labeled in accordance with European Directive 2002/96/EC. Contact your local waste recovery agency for a Designated Collection Facility in your area.

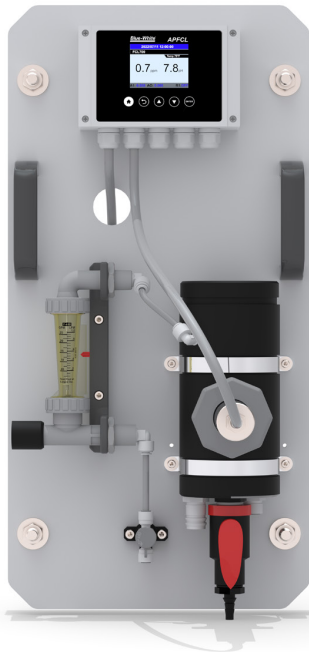
MUNICIPAL

Water Analyzers

Blue-White[®]

APFCL

Online Chlorine + pH Analyzer



Key Features

- Turn-Key Monitoring Solution for Clean Water Applications
- Highly Accurate, Real-Time Measurement, Display, and Data-Logging
- Chlorine (Free or Total), pH, and Temperature
- Color Display and Data-Logging Terminal
- FCL700 Smart Sensor
- EPA 334.0 / ISO 7393 Compliant

Highlights

Free Chlorine Method

Bare Gold - Electrochemical Method
Chlorine Range: 0.1 - 5 PPM

pH Method

Electrochemical Method
Flat Bubble Electrode

Sensor

FCL700 Composite

Compensation

Built-in Temperature and pH
Parameter Compensation

Sampling Chamber

WR05 Sensor Flow Reservoir

Warranty

13 Months

Typical Applications

- Drinking Water / Domestic Water
- Secondary Water Supply
- Sanitary Water
- Decorative Water / Swimming Water
- Food & Beverage Process Water
- RO Feedwater



For more help and information regarding **APFCL**, please visit www.blue-white.com or scan this QR code.

APFCL Analyzer Panel

Model Number

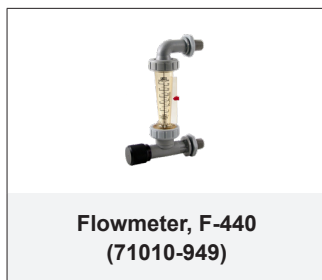
APFCL Chlorine Analyzer Panel (Chlorine, pH, Temperature)

Includes: TS05 2.8" LCD Display, WR-05 Flow Reservoir, FCL700 Chlorine/pH/Temperature Sensor, Assembled Panel with Flowmeter, 110VAC Power Cord.

- Power Requirement 110/220VAC / 50-60 Hz, 0.6 A

- CE, RoHS, EPA-334.0 and ISO-7393

Replacement Parts and Accessories



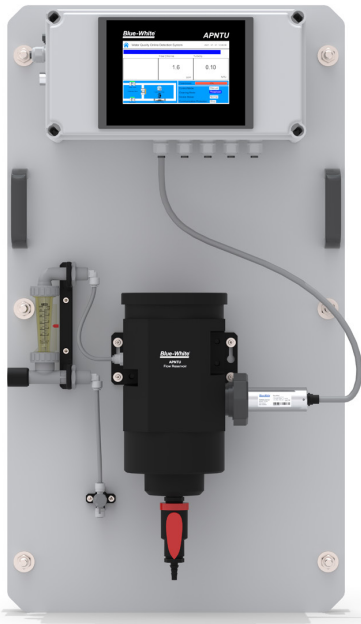
Sensor Cleaning Solution, 500 mL bottle (90008-988)

AP-MA1.5-CR 1.5 meter Short Cable - 8Pin x Flying leads (90008-954)

pH Calibration Combo Pack (4, 7, 10 pH), 500 mL bottles (90008-983)

Blue-White®

Engineering and Technical Data



APNTU

Online Turbidity Analyzer

Key Features

- Turn-Key Monitoring Solution for Clean Water Applications
- Highly Accurate, Real-Time Measurement, Display, and Data-Logging
- Ultra-Low Turbidity Range
- Touch Screen Display and Data-Logging Terminal
- UT700 Ultra-Low Turbidity Sensor with Unique Flat Surface Distal End in Quartz Glass Plate
- EPA 180.1 Compliant

Highlights

Turbidity Dual Range

.001 - 10 / 10 - 40.00 NTU

Turbidity Accuracy

+/- 0.005 NTU or
2% <10NTU

Turbidity Repeatability

+/- 0.001 NTU or
0.5% <10NTU

Sampling Chamber

Single-Sensor Flow Reservoir

Sensor

White Light (LED)
Flat Electrode

Warranty

13 Months

Typical Applications

- Drinking Water
- Domestic Water
- Secondary Water Supply
- Sanitary Water



For more help and information regarding APNTU, please visit www.blue-white.com or scan this QR code.

APNTU Turbidity Analyzer Panel

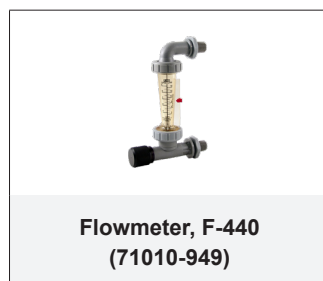
Model Number

APNTU Turbidity Analyzer Panel

Includes: TS10 7" Touchscreen Display, WR-10 Single Sensor Flow Reservoir, UT700 Turbidity Sensor, Assembled Panel with Flowmeter, 110VAC Power Cord.

- Power Requirement 96-260 VAC / 50-60 Hz: 10A Fuse: 200W

- CE, RoHS, EPA-180.1/334.0



*500ml 10 NTU Calibration Standard (90008-973)

*500ml 20 NTU Calibration Standard (90008-974)

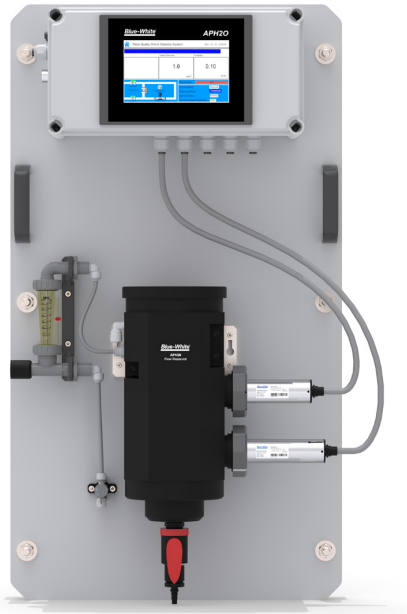
Sensor Cleaning Solution, 500 mL (90008-988)

AP-MA1.5-CR 1.5 meter Short Cable - 8Pin x Flying leads (90008-954)



APH20

Multi Parameter Online Analyzer



Key Features

- Turn-Key Monitoring Solution for Clean Water Applications
- Highly Accurate, Real-Time Measurement, Display, and Data-Logging
- Ultra-Low Turbidity, Chlorine (Free or Total), pH, and Temperature
- Touch Screen Display and Data-Logging Terminal
- FCL700 Smart Sensor
- UT700 Ultra-Low Turbidity Sensor with Unique Flat Surface Distal End in Quartz Glass Plate
- EPA 334.0 / ISO 7393 / EPA 180.1 Compliant

Highlights

Turbidity Dual Range

.001 – 10 / 10 – 40.00 NTU

Turbidity Accuracy

+/- 0.005 NTU or
2% <10NTU

Turbidity Repeatability

+/- 0.001 NTU or
0.5% <10NTU

Free Chlorine Method

Bare Gold - Electrochemical Method
Chlorine Range: 0.1–5 PPM

pH Method

Electrochemical Method

Sensors

White Light (LED) Flat Electrode
FCL-700 Composite Sensor

Sampling Chamber

Dual Sensor Flow Reservoir

Warranty

13 Months

Typical Applications

- Drinking Water
- Domestic Water
- Secondary Water Supply
- Sanitary Water
- Decorative Water / Swimming Water
- Food & Beverage Process Water



For more help and information regarding **APH20**, please visit www.blue-white.com or scan this QR code.

APH20 Analyzer Panel

Model Number

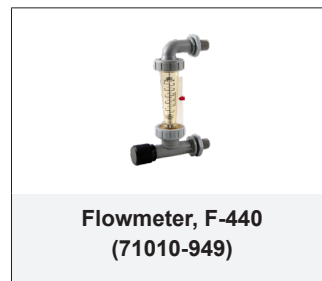
APH20 Multi-Parameter Online Analyzer Panel (Chlorine, Turbidity, pH, Temperature)

Includes: TS10 7" Touchscreen Display, WR-20 Dual Sensor Flow Reservoir, UT700 Turbidity Sensor, FCL700 Chlorine/pH/Temperature Sensor, Assembled Panel with Flowmeter, 110VAC Power Cord.

- Power Requirement 96-260 VAC / 50-60 Hz: 10A Fuse: 200W

- CE, RoHS, EPA-180.1/334.0

Replacement Parts and Accessories



*500ml 10 NTU Calibration Standard (90008-973)

*500ml 20 NTU Calibration Standard (90008-974)

Sensor Cleaning Solution, 500 mL (90008-988)

AP-MA1.5-CR 1.5 meter Short Cable - 8Pin x Flying leads (90008-954)

pH Calibration Combo Pack (4, 7, 10 pH), 500 mL (90008-983)

ANALYZER PANEL WARRANTY

LIMITED WARRANTY

Your Blue-White product is a quality product and is warranted for a specific time from date of purchase (proof of purchase is required). The product will be repaired or replaced at our discretion. Failure must have occurred due to defect in material or workmanship and not as a result of operation of the product other than in normal operation as defined in the product manual. Warranty status is determined by the product's serial label and the sales invoice or receipt. The serial label must be on the product and legible. The warranty status of the product will be verified by Blue-White or a factory authorized service center.

AP Analyzer Panels are warranted for 13 months from date of purchase (proof of purchase is required). Sensors are warranted for 6 months. Units will be repaired or replaced at our discretion.

WHAT IS NOT COVERED

- Wear items.
- Unit removal, or re-installation, and any related labor charge.
- Freight to the factory, or service center.
- Products that have been tampered with, or in pieces.
- Damage resulting from misuse, carelessness such as chemical spills on the enclosure, abuse, lack of maintenance, or alteration which is out of our control.
- Damage by faulty wiring, power surges or acts of nature.

BLUE-WHITE does not assume responsibility for any loss, damage, or expense directly or indirectly related to or arising out of the use of its products. Failure must have occurred due to defect in material or workmanship and not as a result of operation of the product other than in normal operation as defined in the manual.

Warranty status is determined by the serial label and the sales invoice or receipt. The serial label must be on the unit and legible. The warranty status will be verified by Blue-White or a factory authorized service center.

PROCEDURE FOR IN WARRANTY REPAIR

Warranty service must be performed by the factory or an authorized service center. Contact the factory or local repair center to obtain a RMA (Return Material Authorization) number. It is recommended to include foot strainer and injection/check valve fitting since these devices may be clogged and part of the problem. Decontaminate, dry, and carefully pack the product to be repaired. Please enclose a brief description of the problem and proof of purchase. Prepay all shipping and insurance cost. COD shipments will not be accepted. Damage caused by improper packaging is the responsibility of the sender. When In-Warranty repair is completed, the factory pays for return shipping to the dealer or customer.

PRODUCT USE WARNING

Blue-White products are manufactured to meet the highest quality standards in the industry. Each product instruction manual includes a description of the associated product warranty and provides the user with important safety information. Purchasers, installers, and operators of Blue-White products should take the time to inform themselves about the safe operation of these products. In addition, Customers are expected to do their own due diligence regarding which products and materials are best suited for their intended applications. BLUE-WHITE is pleased to assist in this effort but does not guarantee the suitability of any particular product for any specific application as Blue-White does not have the same degree of familiarity with the application that the customer/end user has. While BLUE-WHITE will honor all of its product warranties according to their terms and conditions, Blue-White shall only be obligated to repair or replace its defective parts or products in accordance with the associated product warranties.

BLUE-WHITE SHALL NOT BE LIABLE EITHER IN TORT OR IN CONTRACT FOR ANY LOSS OR DAMAGE WHETHER DIRECT, INDIRECT, INCIDENTAL, OR CONSEQUENTIAL, ARISING OUT OF OR RELATED TO THE FAILURE OF ANY OF ITS PARTS OR PRODUCTS OR OF THEIR NONSUITABILITY FOR A GIVEN PURPOSE OR APPLICATION.

CHEMICAL RESISTANCE WARNING

BLUE-WHITE offers a wide variety of wetted parts. Purchasers, installers, and operators of Blue-White products must be well informed and aware of the precautions to be taken when injecting or measuring various chemicals, especially those considered to be irritants, contaminants or hazardous. Customers are expected to do their own due diligence regarding which products and materials are best suited for their applications, particularly as it may relate to the potential effects of certain chemicals on Blue-White products and the potential for adverse chemical interactions. Blue-White tests its products with water only. The chemical resistance information included in this instruction manual was supplied to BLUE-WHITE by reputable sources, but Blue-White is not able to vouch for the accuracy or completeness thereof. While BLUE-WHITE will honor all of its product warranties according to their terms and conditions, Blue-White shall only be obligated to repair or replace its defective parts or products in accordance with the associated product warranties.

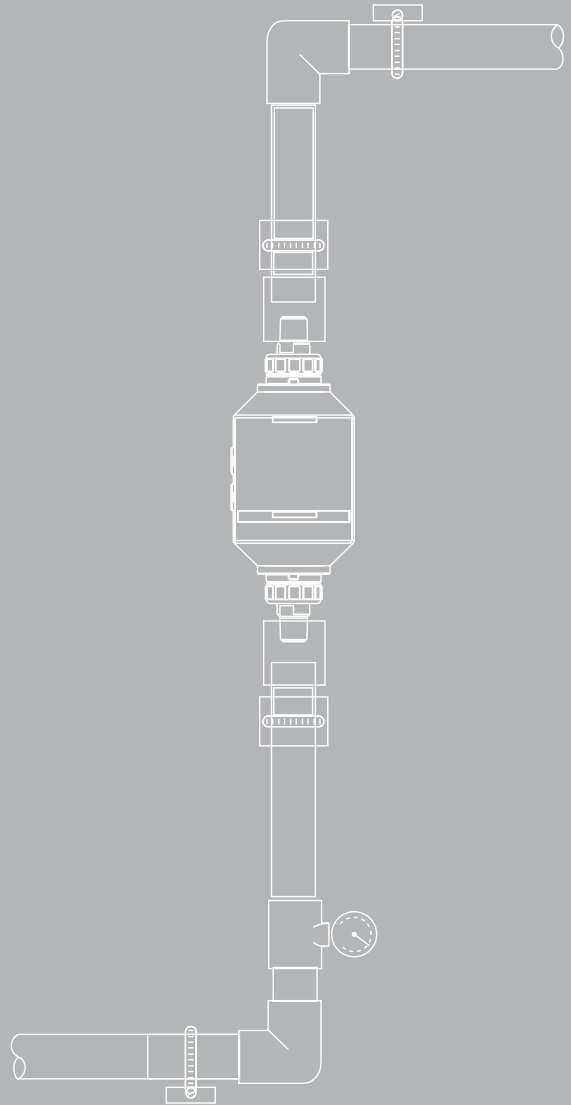
BLUE-WHITE SHALL NOT BE LIABLE EITHER IN TORT OR IN CONTRACT FOR ANY LOSS OR DAMAGE, WHETHER DIRECT, INDIRECT, INCIDENTAL, OR CONSEQUENTIAL, ARISING OUT OF OR RELATED TO THE USE OF CHEMICALS IN CONNECTION WITH ANY BLUE-WHITE PRODUCTS.

Users of electrical and electronic equipment (EEE) with the WEEE marking per Annex IV of the WEEE Directive must not dispose of end of life EEE as unsorted municipal waste, but use the collection framework available to them for the return, recycle, recovery of WEEE and minimize any potential effects of EEE on the environment and human health due to the presence of hazardous substances. The WEEE marking applies only to countries within the European Union (EU) and Norway. Appliances are labeled in accordance with European Directive 2002/96/EC. Contact your local waste recovery agency for a Designated Collection Facility in your area.

Notes:

Notes:

MUNICIPAL Flow Meters



Blue-White[®]

MS6

SONIC-PRO® Flow Meter



- > Inline pipe fittings for easy installation
- > Isolated 4-20 mA output - fully configurable
- > Process control via configurable solid state relay
- > User configurable flow rate and total set-point triggers
- > True unions for ease of maintenance

Highlights

Flow range

10 - 10,000 mL/min
.158 - 158.5 GPH

Pressures up to

200 PSI
(13.8 bar)

Body material

PVDF

Display

LCD

Pipe sizes

½" Barb, ½" M/NPT,
½" PVC slip

Display options

Remote mount or
meter mount

Weight

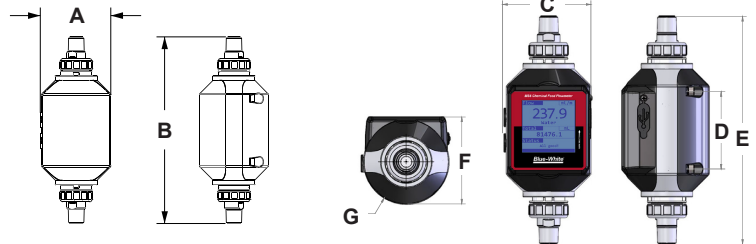
1.9 lb.
(0.86 kg)

Warranty

5 Years

Dimensions

Dim	Inch	cm	Dim	Inch	cm
A	3.8"	9.7	E	10.02"	25.5
B	10.0"	25.4	F	3.8"	9.7
C	3.9"	9.9	G	3.7"	9.4
D	3.4"	8.6			



Meter Mount Display Meter Body

What's in the box

MS6 Chemical Feed meter
Meter Body Connection Fittings
3/16" Hex Key
Quick Start Guide
USB-A to USB-C connector
Power Supply (user configurable)



Model Number Matrix

MS6

SONIC-PRO® Model Number

MS6	MS6 Chemical Feed Flow Meter				
Flow Range					
1	10-5000 mL/min (0.158-79.2 GPH)				
2	100-10000 mL/min (1.58 -158.5 GPH)				
Display Options					
1	Remote Mount Display				
2	Meter Mount Display				
Elastometer Material (O-Ring)					
V	TFE/P				
E	EP				
MS6	1	1	V	X	Sample Model Number

Display Options



MICRO-FLO

Paddlewheel Flow Verification Sensor

- > High accuracy digital paddlewheel technology
- > 1/8", 1/4" or 1/2" NPT, 1/4"OD or 3/8"OD Tubing sizes
- > Tamper proof factory programming
- > PVC or PVDF adapters available



Highlights

Flow range

.008 - 1.85 GPM
.03 - 7.00 LPM

Pressures up to

150 PSI
(10 bar)

Max. fluid temp.

200 °F (93 °C)
at 0 PSI

Body material

PVDF

Connector Size

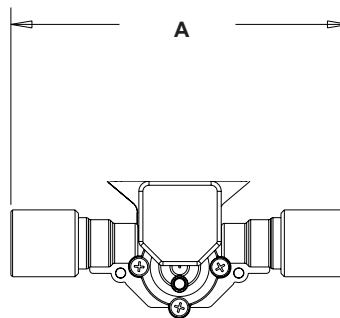
1/8", 1/4", 1/2" F/NPT

Warranty

1 Year

Dimensions

Dim	Inch	cm
A	5.0"	12.7



What's in the box

Flow Sensor x1
Instruction manual



Model Number Matrix

FV	1	-	10	1	-	1	V	Sample Model Number
-----------	----------	----------	-----------	----------	----------	----------	----------	----------------------------

Meter Function
FV = Flow sensor only (no display)

Power Supply
1 = Transformer U.S. 115VAC/15VDC
2 = Transformer E.U. 220VAC/15VDC
None = No selection (customer supplied)

Flow Range Selection
10 = 30-300 ml/min*
20 = 100-1000 ml/min*
30 = 200-2000 ml/min
40 = 300-3000 ml/min
50 = 500-5000 ml/min
60 = 700-7000 ml/min

* Consult factory for assistance on 10 and 20 flow models (review pressure drop, fluid viscosity, and particulate size)

O-ring Seal Selection
V = Viton
E = EP

Connector Selection
1 = .500" ID hose barb, PVC
2 = .500" Male NPT, PVC
3 = .500" Female NPT, PVC
4 = .250" OD tubing connection, Polypropylene
5 = .125" Female NPT, PVC
6 = .375" OD tubing connection, PVDF
7 = .250" Female NPT, PVC

Lens Material Selection
1 = Opaque PVDF

F-1000

Paddlewheel Flow Meter

- > High accuracy digital paddlewheel technology
- > 3/8", 1/2", 3/4", 1", 1-1/2", and 2" male pipe threads
- > 1-1/2", 2", 2-1/2", 3", 4", 6", 8", 10" and 12" saddle mount sizes
- > Tamper proof factory programming
- > Easy to read 6 digit LCD display, up to 4 decimal places
- > Flow rate and flow totalization



Highlights

Flow range

.4 - 8,000 GPM
1 - 27,000 LPM

Pressures up to

300 PSI
(20 bar)

Max. fluid temp.

200 °F (93 °C)
at 0 PSI

Body material

PVC, Polypropylene or
316 Stainless Steel

Pipe sizes

3/8", up to 12"

Warranty

1 Year

Polypropylene Molded In-Line Pipe

Pipe Size	GPM	LPM	Flow Range	DIN 8062	LPM Range	Material
3/8"	.8 - 8	3 - 30	Range 1	50mm	70 - 700	PVDF
3/8"	.4 - 4	1 - 10	Range 2	63mm	110 - 1100	PVDF
1/2"	2 - 20	7 - 70	Range 1	75mm	150 - 1500	PVC
3/4"	3 - 30	11 - 110	Range 1	90mm	230 - 2300	PVDF
1"	5 - 50	20 - 200	Range 1	110mm	350 - 3500	PVC
1 1/2"	6 - 60	25 - 250	Range 2	160mm	720 - 7200	PVC
2"	10 - 100	40 - 400	Range 3	200mm	1150 - 11500	PVC
2"	20 - 200	70 - 700	Range 4	250mm	1700 - 17000	PVC
				315mm	2700 - 27000	PVC

Metric Saddle Mount Pipe

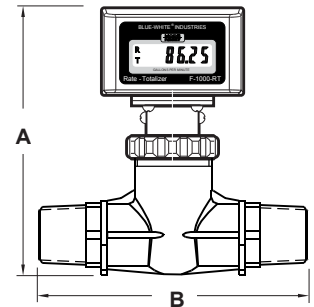
Pipe Size	GPM	LPM	Material
1 1/2"	15 - 150	60 - 600	PVDF
2"	30 - 300	100 - 1000	PVDF
2 1/2"	40 - 400	150 - 1500	PVC
3"	60 - 600	250 - 2500	PVDF
4"	100 - 1000	400 - 4000	PVC
6"	250 - 2500	900 - 9000	PVC
8"	400 - 4000	1600 - 16000	PVC
10"	600 - 6000	2400 - 24000	PVC
12"	800 - 8000	3200 - 32000	PVC

Standard Saddle Mount Pipe

Pipe Size	GPM	LPM	Material
1 1/2"	15 - 150	60 - 600	PVDF
2"	30 - 300	100 - 1000	PVDF
2 1/2"	40 - 400	150 - 1500	PVC
3"	60 - 600	250 - 2500	PVDF
4"	100 - 1000	400 - 4000	PVC
6"	250 - 2500	900 - 9000	PVC
8"	400 - 4000	1600 - 16000	PVC
10"	600 - 6000	2400 - 24000	PVC
12"	800 - 8000	3200 - 32000	PVC

PVC TEE Pipe

Pipe	GPM	LPM	Material
1"	6 - 60	25 - 250	PVC
1 1/2"	15 - 150	60 - 600	PVC
2"	30 - 300	100 - 1000	PVC
3"	60 - 600	230 - 2300	PVC



Dimensions

Pipe Size	A	B
3/8"	5-3/8" (137mm)	4-3/4" (121mm)
1/2"	5-3/8" (137mm)	5-1/8" (130mm)
3/4"	5-5/8" (143mm)	5-1/4" (133mm)
1"	5-5/8" (143mm)	5-5/8" (143mm)
1-1/2"	6-1/8" (156mm)	6-1/2" (165mm)
2"	6-3/8" (162mm)	6-3/4" (171mm)

What's in the box

- Flow meter x1
- Clamp (saddle only) x 2
- Pipe Plug (saddle only) x 1
- Batteries x2 (installed)
- Instruction manual



F-1000 Model Number Matrix

RB	-	375	MI	-	GPM	1	-			Sample Model Number
-----------	---	------------	-----------	---	------------	----------	---	--	--	----------------------------

Variations

RB = Rate Only
TB = Total Only
RT = Rate and Total

Pipe Fitting

Blank = Standard
P = No pipe fitting

Pipe Sizes M/NPT

Imperial Pipe Sizes	Metric Pipe Sizes
375 = 3/8" IPS	050 = 50 mm
500 = 1/2" IPS	063 = 63 mm
750 = 3/4" IPS	075 = 75 mm
100 = 1" IPS	090 = 90 mm
150 = 1-1/2" IPS	110 = 110 mm
200 = 2" IPS	160 = 160 mm
250 = 2-1/2" IPS	200 = 200 mm
300 = 3" IPS	250 = 250 mm
400 = 4" IPS	315 = 315 mm
600 = 6" IPS	
800 = 8" IPS	
1000 = 10" IPS	
1200 = 12" IPS	

O-rings / Elastomers

Blank = Standard
E = EPDM O-rings

Calibration Range [Click here for details](#)

1 = Range 1	3 = Range 3
2 = Range 2	4 = Range 4

Molded In-line fittings - Use last number of fitting #.
All other fittings - Use Range 1

Calibration Units

GPM = U.S. Gallons per minute
GPH = U.S. Gallons per hour
GPD = U.S. Gallons per day
OZM = U.S. Ounces per minute
CFM = Cubic Feet per minute
AFD = Acre Feet per day
LPM = Liters per minute
LPH = Liters per hour
LPD = Liters per day
M3H = Cubic Meters per hour
IGM = Imperial Gallons per minute
IGH = Imperial Gallons per hour

Pipe Fitting Type

S4 = SADDLE, SCH40 (I.P.S.) PVC or IRON pipe	MI = INLINE INJECTION MOLDED PP AMERICAN M/NPT
1-1/2", 2", 3" PVDF	3/8", 1/2", 3/4", 1" M/NPT, polypropylene
2-1/2", 4", 6", 8" PVC	1-1/2" M/NPT, polypropylene
10", 12" PVC	2" M/NPT, polypropylene
S8 = SADDLE, SCH80 (I.P.S.) PVC pipe	MB = INLINE INJECTION MOLDED PP BRITISH M/BSPT
1-1/2", 2", 3" PVDF	3/8", 1/2", 3/4", 1" M/BSPT, polypropylene
2-1/2", 4", 6", 8" PVC	1-1/2" M/BSPT, polypropylene
10", 12" PVC	2" M/BSPT, polypropylene
P0 = SADDLE, PN10 METRIC (DIN 8062) pipe	AT = INLINE INJECTION MOLDED TEE PVC SLIP/SOCKET
50 mm, 63 mm, 90 mm PVDF	1", 1-1/2", 2" PVC
75, 110, 160, 200 mm PVC	3" PVC
250, 315 mm PVC	
P6 = SADDLE, PN16 METRIC (DIN 8062) pipe	
50 mm, 63 mm, 90 mm PVDF	
75, 110, 160, 200 mm PVC	
250, 315 mm PVC	

F-2000

Paddlewheel Flow Meter

- > High accuracy digital paddlewheel technology
- > 3/8", 1/2", 3/4", 1", 1-1/2", and 2" male pipe threads
- > 1-1/2", 2", 2-1/2", 3", 4", 6", 8", 10" and 12" saddle mount sizes
- > Optional 4-20mA or 0-10VDC output
- > Easy to read 8 digit LCD display, up to 4 decimal places
- > Flow rate and flow totalization
- > Front panel security lock-out



Highlights

<p>Flow range</p> <p>.4 - 8,000 GPM 1 - 27,000 LPM</p>	<p>Pressures up to</p> <p>300 PSI (20 bar)</p>	<p>Max. fluid temp.</p> <p>200 °F (93 °C) at 0 PSI</p>
<p>Body material</p> <p>PVC, Polypropylene or 316 Stainless Steel</p>	<p>Pipe sizes</p> <p>3/8", up to 12"</p>	<p>Warranty</p> <p>1 Year</p>

Polypropylene Molded In-Line Pipe

Pipe Size	GPM	LPM	Flow Range
3/8"	.8 - 8	3 - 30	Range 1
3/8"	.4 - 4	1 - 10	Range 2
1/2"	2 - 20	7 - 70	Range 1
3/4"	3 - 30	11 - 110	Range 1
1"	5 - 50	20 - 200	Range 1
1 1/2"	6 - 60	25 - 250	Range 2
2"	10 - 100	40 - 400	Range 3
2"	20 - 200	70 - 700	Range 4

Metric Saddle Mount Pipe

DIN 8062	LPM Range	Material
50mm	70 - 700	PVDF
63mm	110 - 1100	PVDF
75mm	150 - 1500	PVC
90mm	230 - 2300	PVDF
110mm	350 - 3500	PVC
160mm	720 - 7200	PVC
200mm	1150 - 11500	PVC
250mm	1700 - 17000	PVC
315mm	2700 - 27000	PVC

Dimensions

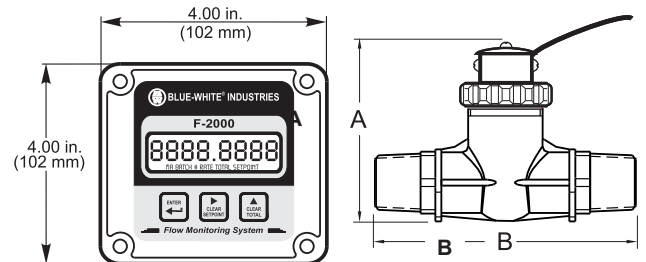
Pipe Size	A	B
3/8"	3-3/4" (95mm)	4-3/4" (121mm)
1/2"	3-3/4" (95mm)	5-1/8" (130mm)
3/4"	4" (102mm)	5-1/4" (133mm)
1"	4" (102mm)	5-5/8" (143mm)
1-1/2"	4-1/2" (114mm)	6-1/2" (165mm)
2"	4-3/4" (121mm)	6-3/4" (171mm)

Standard Saddle Mount Pipe

Pipe Size	GPM	LPM	Material
1 1/2"	15 - 150	60 - 600	PVDF
2"	30 - 300	100 - 1000	PVDF
2 1/2"	40 - 400	150 - 1500	PVC
3"	60 - 600	250 - 2500	PVDF
4"	100 - 1000	400 - 4000	PVC
6"	250 - 2500	900 - 9000	PVC
8"	400 - 4000	1600 - 16000	PVC
10"	600 - 6000	2400 - 24000	PVC
12"	800 - 8000	3200 - 32000	PVC

PVC TEE Pipe

Pipe	GPM	LPM	Material
1"	6 - 60	25 - 250	PVC
1 1/2"	15 - 150	60 - 600	PVC
2"	30 - 300	100 - 1000	PVC
3"	60 - 600	230 - 2300	PVC



What's in the box

- Flow meter x1
- Clamp (saddle only) x 2
- Pipe Plug (saddle only) x 1
- Batteries x2 (installed)
- Instruction manual



F-300

Variable Area Flow Meter

- > Easy to read dual scale (SCH 40 / SCH 80)
- > Acceptable for outdoor installations
- > Pitot Tube (impact tube) design makes it easy to install on existing pipe
- > One-piece, machined acrylic meter body



Highlights

Flow range

5.0 - 2,200 GPM (SCH 40)
4.0 - 1,950 LPM (SCH 40)

Pressures up to

75 PSI
(5.17 bar)

Max. fluid temp.

190 °F
88 °C

Body material

Acrylic

Pipe sizes

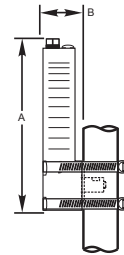
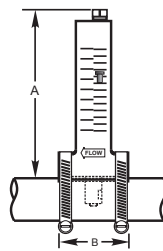
1" to 8"

Warranty

1 Year

Dimensions

Pipe Size	A	B	Pipe Size	A	B
1"	6"	2-7/16"	3"	6"	2-7/16"
1-1/4"	6"	2-7/16"	4"	6"	2-7/16"
1-1/2"	6"	2-7/16"	5"	6"	2-7/16"
2"	6"	2-7/16"	6"	7-1/2"	2-7/16"
2-1/2"	6"	2-7/16"	8"	7-1/2"	2-7/16"



U/D-300 Series

Pipe Size	A	B
1-1/2"	6"	1-9/16"
2"	6"	1-9/16"

What's in the box

Flow meter x 1
Rubber Gasket x 1
Clamp x 2
Instruction manual



Model Number Matrix

F-300 Model Number

F	Standard Flow Meter (Horizontal Flow) (NSF 50 Listed)
U	Flow Meter (Upwards Flow 1.5" and 2.0" only)
D	Flow Meter (Downwards Flow 1.5" and 2.0" only)

Series

30	F-300 Acrylic Body
-----------	--------------------

GPM Scale SCH 40 / SCH 80

100	1.0" Pipe, 5 - 35 GPM sch 40 (4 - 26 GPM sch 80)
125	1.25" Pipe, 9 - 50 GPM sch 40 (8 - 40 GPM sch 80)
150	1.50" Pipe, 10 - 70 GPM sch 40 (10 - 60 GPM sch 80)
150	UP/DOWN 1.5" Pipe, 10 - 60 GPM sch 40 (10 - 50 GPM sch 80)
200	2.0" Pipe, 20 - 120 GPM sch 40 (18 - 100 GPM sch 80)
200	UP/DOWN 2.0" Pipe, 20 - 110 GPM sch 40 (20 - 100 GPM sch 80)
250	2.5" Pipe, 29 - 150 GPM sch 40 (25 - 130 GPM sch 80)
300	3.0" Pipe, 45 - 240 GPM sch 40 (40 - 205 GPM sch 80)
400	4.0" Pipe, 75 - 420 GPM sch 40 (70 - 375 GPM sch 80)
600	6.0" Pipe, 170 - 1100 GPM sch 40 (160 - 1000 GPM sch 80)
800	8.0" Pipe, 300 - 2200 GPM sch 40 (275 - 1950 GPM sch 80)

F	-	30	100	P	Sample Model Number
----------	----------	-----------	------------	----------	----------------------------

Accessories



F-300SL

KIT F-300 SENSOR/SWITCH

1.0"P - 1.25"P ONLY



F-300S

KIT F-300 SENSOR/SWITCH

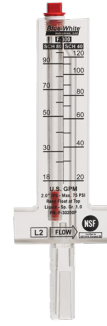
1.5"P - 4.0"P ONLY

NOTE: Accessories sold separately.

F-300M

Variable Area Flow Meter

- > Easy to read dual scale (PN10 / PN16)
- > Acceptable for outdoor installations
- > Pitot Tube (impact tube) design makes it easy to install on existing pipe
- > One-piece, machined acrylic meter body



Highlights

Flow range

30 - 1,800 LPM (PN10)
30 - 1,600 LPM (PN16)

Pressures up to

75 PSI
(5.2 bar)

Max. fluid temp.

190 °F
88 °C

Body material

Acrylic

Pipe sizes

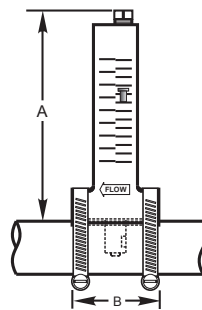
32mm to 110mm

Warranty

1 Year

Dimensions

Pipe Size	A (mm)	B (mm)
32mm	110	62
50mm	110	62
63mm	110	62
75mm	110	62
90mm	110	62
110mm	110	62



What's in the box

Flow meter x 1
Rubber Gasket x 1
Clamp x 2
Instruction manual



Model Number Matrix

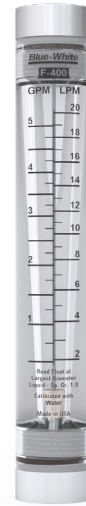
F-300M Model Number

F	Standard Flow Meter (Horizontal Flow)				
Series					
	30	F-300M Acrylic Body			
LPM Scale PN10 / PN16					
	032	32mm Pipe, 30 - 150 LPM PN10 (30 - 130 LPM PN16)			
	050	50mm Pipe, 50 - 350 LPM PN10 (50 - 300 LPM PN16)			
	063	63mm Pipe, 100 - 475 LPM PN10 (75 - 400 LPM PN16)			
	075	75mm Pipe, 150 - 700 LPM PN10 (150 - 600 LPM PN16)			
	090	90mm Pipe, 200 - 850 LPM PN10 (200 - 800 LPM PN16)			
	110	110mm Pipe, 600 - 1800 LPM PN10 (550 - 1600 LPM PN16)			
Pipe Units					
	M	METRIC (DIN 8062)			
F	-	30	032	M	Sample Model Number

F-400

Variable Area Flow Meter

- > Durable, highly polished, one piece meter body
- > Annealed for added strength and chemical resistance
- > Acceptable in direct sunlight
- > Full scale accuracy +/- 5%
- > 316ss float & guide-wire



Highlights

Flow range

.025 - 5.0 GPM
.1 - 20 LPM

Pressures up to

150 PSI
(10.3 bar)

Max. fluid temp.

150 °F
65 °C

Body

Acrylic

Adapters

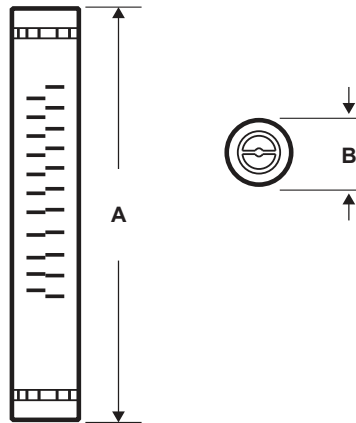
1/4", 3/8" & 1/2" F/NPT

Warranty

1 Year

Dimensions

Dim	Inch	cm
A	8-3/16"	20.8
B	1-1/4"	3.2



What's in the box

Flow meter x1
Instruction manual



Model Number Matrix

F-400 Model Number

F	Flow Meter						
Series							
	40	F-400 Acrylic body					
Scale							
	050	0.05 - .5 gpm (0.2 - 2.0 lpm) 316ss Float					
	250	0.025 - .25 gpm (0.1 - 1.0 lpm) PVDF Float					
	375	0.1 - 1.0 gpm (0.4 - 4.0 lpm) PTFE Float					
	376	0.2 - 2.0 gpm (1.0 - 7.5 lpm) 316ss Float					
	377	0.3 - 3.0 gpm (1.5 - 11 lpm) 316ss Float					
	500	0.5 - 5.0 gpm (2.0 - 20 lpm) 316ss Float					
Guide-Wire Material							
	LN	316 Stainless steel rod					
Adapter							
	4	.250" Female NPT, Polypropylene					
	6	.375" Female NPT, Polypropylene					
	8	.500" Female NPT, Polypropylene					
O-Rings							
	(Blank)	Viton					
	-22P	EP					
F	-	40	050	LN	-	4	Sample Model Number

*In-house NIST Calibration, OEM packaging, silicone oil free and bulk packaging options are also available.

F-410

Variable Area Flow Meter

- > Durable, highly polished, one piece meter body
- > Annealed for added strength and chemical resistance
- > Acceptable in direct sunlight
- > Full scale accuracy +/- 5%
- > 316ss float & guide-wire



Highlights

Flow range

1.0 - 20 GPM
4.0 - 80 LPM

Pressures up to

150 PSI
(10.3 bar)

Max. fluid temp.

150 °F
65 °C

Body

Acrylic

Adapters

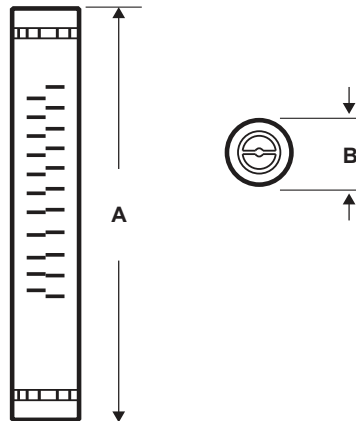
3/4" & 1.0" F/NPT

Warranty

1 Year

Dimensions

Dim	Inch	cm
A	11"	27.9
B	1-3/4"	4.4



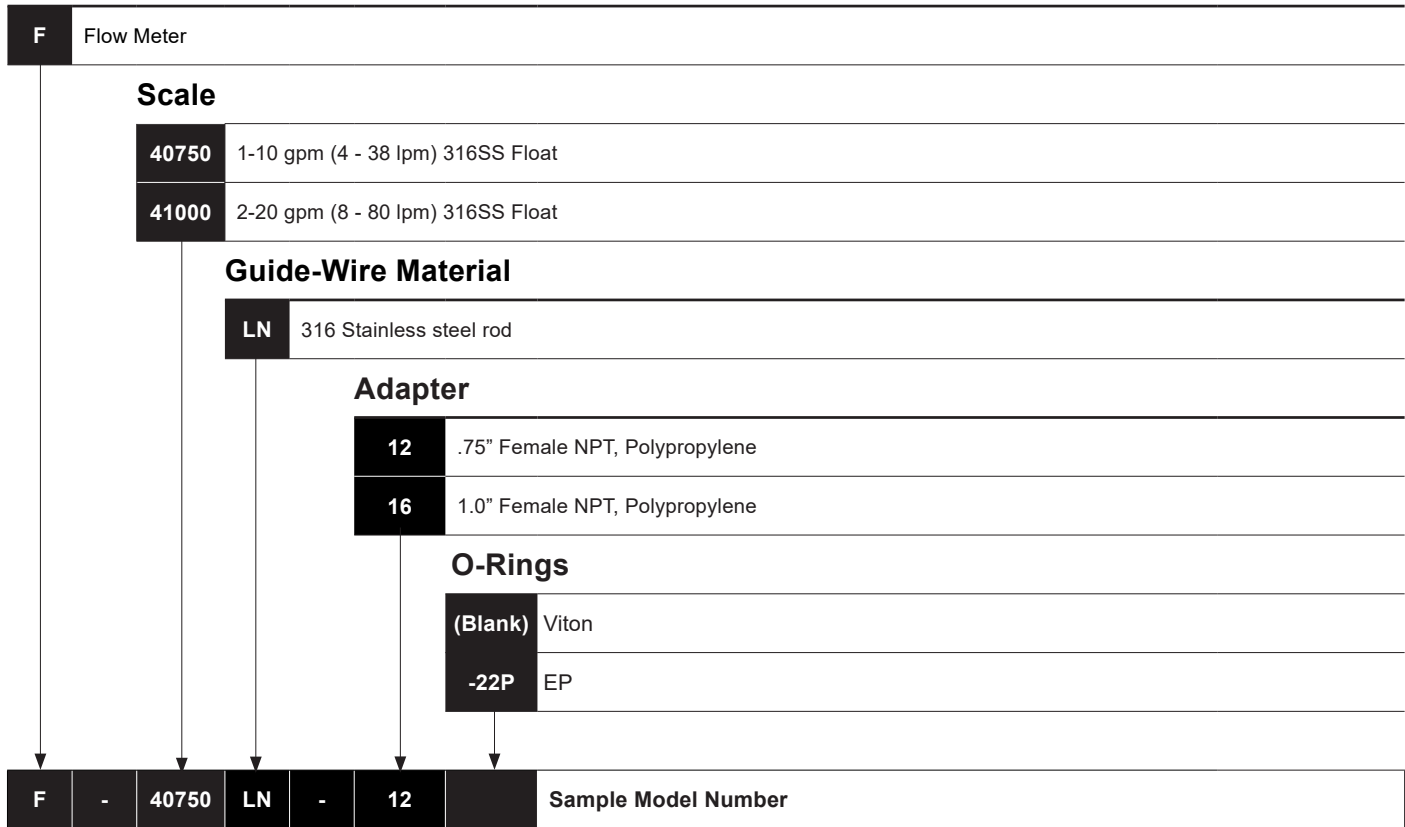
What's in the box

Flow meter x1
Instruction manual



Model Number Matrix

F-410 Model Number



*In-house NIST Calibration, silicone oil free and bulk packaging options are also available.

F-420

Variable Area Flow Meter

- > Durable, highly polished, one piece meter body
- > Annealed for added strength and chemical resistance
- > Acceptable in direct sunlight
- > Full scale accuracy +/- 5%
- > 316ss float & guide-wire



Highlights

Flow range

5.0 - 50 GPM
20 - 200 LPM

Pressures up to

130 PSI
(8.9 bar)

Max. fluid temp.

130 °F
54 °C

Body

Acrylic

Adapters

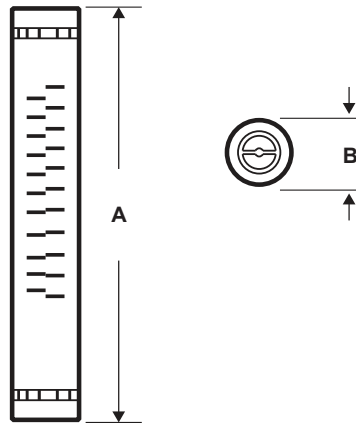
1.0" & 1.5"
(F/NPT & M/NPT)

Warranty

1 Year

Dimensions

Dim	Inch	cm
A	11"	27.9
B	1-3/4"	4.4



What's in the box

Flow meter x1
Instruction manual



Model Number Matrix

F-420 Model Number

F	Flow Meter					
Series						
	420	F-420 Acrylic Body				
Scale						
	25	5-25 gpm (20 - 100 lpm) 316ss float				
	40	8-40 gpm (30 - 150 lpm) 316ss float				
	50	10-50 gpm (40 - 200 lpm) 316ss float				
Guide-Wire Material						
	LN	316 Stainless steel rod				
Adapter						
	(Blank)	1.5" Male NPT, PVC				
	-16	1.0" Female NPT, PVC				
O-Rings						
	(Blank)	Viton				
	-22P	EP				
F	-	420	25	LN		Sample Model Number

*In-house NIST Calibration, OEM packaging and silicone oil free options are also available.

F-430

Variable Area Flow Meter

- > Durable, highly polished, one piece meter body
- > Annealed for added strength and chemical resistance
- > Acceptable in direct sunlight
- > Full scale accuracy +/- 5%
- > 316ss float & guide-wire



Highlights

Flow range

4.0 - 100 GPM
15 - 375 LPM

Pressures up to

130 PSI
(8.9 bar)

Max. fluid temp.

130 °F
54 °C

Body

Acrylic

Adapters

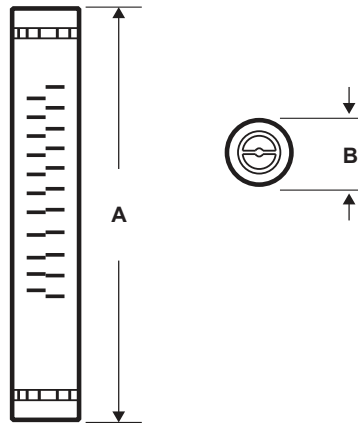
1.5" & 2.0" F/NPT

Warranty

1 Year

Dimensions

Dim	Inch	cm
A	14"	35.6
B	3"	7.6



What's in the box

Flow meter x1
Instruction manual



Model Number Matrix

F-430 Model Number

F	Flow Meter							
Series								
	43	F-430 Acrylic Body						
Scale								
	040	4 - 40 gpm (15 - 150 lpm) 316ss Float						
	060	6 - 60 gpm (20 - 230 lpm) 316ss Float						
	080	8 - 80 gpm (30 - 300 lpm) 316ss Float						
	100	20 - 100 gpm (75 - 375 lpm) 316ss Float						
Guide-Wire Material								
	LNS	316 Stainless steel rod with PVC adapters						
Adapter								
	(Blank)	2.0" Female/NPT						
	-24	1.5" Female/NPT						
O-Rings								
	(Blank)	Viton						
	-E	EP						
F	-	43	040	LNS	-24	(Blank)	-E	Sample Model Number

*In-house NIST Calibration, OEM packaging and silicone oil free options are also available.

F-550

Variable Area Flow Meter



- > Durable, highly polished, one piece meter body
- > Annealed for added strength and chemical resistance
- > Acceptable in direct sunlight
- > Full scale accuracy +/- 5%
- > 316ss float & guide-wire

Highlights

Flow range

.025 - 20 GPM
.1 - 75 LPM

Pressures up to

250 PSI
(17.2 bar)

Max. fluid temp.

200 °F
(93 °C)

Body

Acrylic

Adapters

1/4" - 1.0" M/NPT

Warranty

1 Year

Dimensions

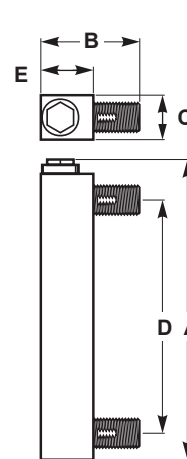
Panel Mount

Pipe Size	A	B	C	D	E	Mount Hole
F-55250L (1/4")	7-1/4"	2-1/2"	1-11/16"	5-5/8"	1-1/4"	9/16"
F-55375L (3/8")	8-3/8"	2-3/4"	1-11/32"	6-1/2"	1-1/2"	11/16"
F-55376L (3/8")	8-3/8"	2-3/4"	1-11/32"	6-1/2"	1-1/2"	11/16"
F-55500L (1/2")	8-3/8"	2-3/4"	1-11/32"	6-1/2"	1-1/2"	7/8"
F-55750L (3/4")	9"	3-3/4"	1-1/2"	6-1/2"	1-3/4"	1-1/16"
F-55005L (1")	10-5/8"	4"	1-3/4"	8"	2"	1-21/64"
F-55010L (1")	10-5/8"	4"	1-3/4"	8"	2"	1-21/64"
F-55015L (1")	10-5/8"	4"	1-3/4"	8"	2"	1-21/64"
F-55200L (1")	10-5/8"	4"	1-3/4"	8"	2"	1-21/64"

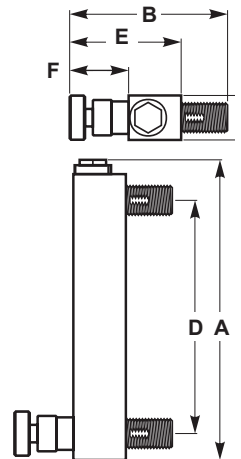
Adjustable Panel Mount

Pipe Size	A	B	C	D	E	F	Mount Hole
F-55250LA (1/4")	7-1/4"	3-7/16"	1"	5-5/8"	2-7/16"	1-11/32"	9/16"
F-55375LA (3/8")	8-3/8"	4-1/2"	1-11/32"	6-1/2"	3-1/4"	1-3/4"	11/16"
F-55376LA (3/8")	8-3/8"	4-1/2"	1-11/32"	6-1/2"	3-1/4"	1-3/4"	11/16"
F-55500LA (1/2")	8-3/8"	4-1/2"	1-11/32"	6-1/2"	3-1/4"	1-3/4"	7/8"
F-55750LA (3/4")	9"	5-1/2"	1-1/2"	6-1/2"	3-1/4"	15/16"	1-1/16"
F-55010LA (1")	10-5/8"	5-1/4"	1-3/4"	8"	3-1/2"	17/16"	1-21/64"
F-55015LA (1")	10-5/8"	5-1/4"	1-3/4"	8"	3-1/2"	17/16"	1-21/64"
F-55200LA (1")	10-5/8"	5-1/4"	1-3/4"	8"	3-1/2"	17/16"	1-21/64"

Non-Adjustable Panel Mount



Adjustable Panel Mount



Model Number Matrix

F-550 Model Number

F	Flow Meter						
Series							
55	F-550 Acrylic Body						
Scale							
250	0.025 - .250 gpm (0.1 - 1.0 lpm) 316 SS Float, 0.25" Male NPT adapter, PP						
375	0.1 - 1.0 gpm (0.4 - 4.0 lpm) 316 SS Float, 0.375" Male NPT adapter, PP						
376	0.2 - 2.0 gpm (0.75 - 7.5 lpm) 316 SS Float, 0.375" Male NPT adapter, PP						
500	0.5 - 5.0 gpm (2.0 - 20 lpm) 316 SS Float, 0.50" Male NPT adapter, PP						
750	1.0 - 10 gpm (4.0 - 40 lpm) 316 SS Float, 0.75" Male NPT adapter, PP						
005	1.0 - 5.0 gpm (3.0 - 18 lpm) PTFE Float, 1.0" Male NPT adapter, PP						
010	1.0 - 10 gpm (4.0 - 40 lpm) 316 SS Float, 1.0" Male NPT adapter, PP						
015	1.0 - 15 gpm (5.0 - 60 lpm) 316 SS Float, 1.0" Male NPT adapter, PP						
200	2 - 20 gpm (7.5 - 75 lpm) 316 SS Float, 1.0" Male NPT adapter, PP						
Guide-Wire Material							
L	316 Stainless steel rod						
Installation							
(Blank)	Panel Mount Model						
A	Adustable Panel Mount Model (scale 250 - 500 only)						
A	Adustable Panel Mount Model (scale 750 - 200 only)						
Adapter							
(Blank)	Standard						
-8	0.50" Male NPT adapter (for 375, 376 and 750 models only)						
O-Rings							
(Blank)	Viton						
-22N	EP						
F	-	55	250	L			Sample Model Number

F-440

Variable Area Flow Meter



- > Polysulfone body resists high temperatures and pressures
- > In-line or panel mount configurations available
- > Indoor use only
- > Full scale accuracy +/- 4%
- > 316ss float & guide-wire

Highlights

Flow range

.025 – 10 GPM
0.1 – 37.5 LPM

Pressures up to

175 PSI
(12 bar)

Max. fluid temp.

212 °F
100 °C

Body

Polysulfone

Adapters

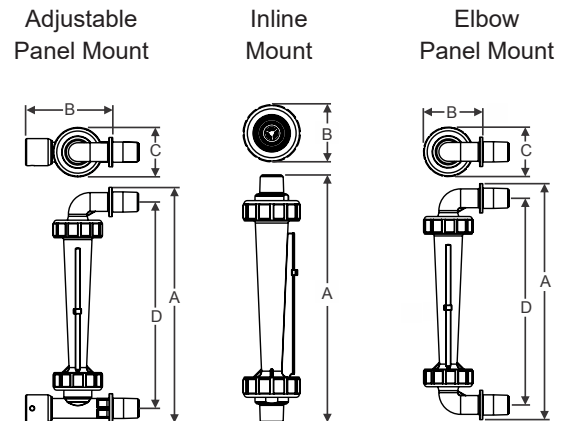
1/4" - 3/4" M/NPT
(Inline & panel mount)

Warranty

1 Year

	Pipe Size	A	B	C	D
Inline	F-44250	6-3/16" 157mm	1-11/16" (43mm)	N/A	N/A
	F-44375				
	F-44376				
	F-44500				
F-44750	7-1/2" (191mm)	2" (51mm)	N/A	N/A	
Elbow	F-44250E	7" (178mm)	3" (76mm)	1-11/16" (43mm)	5-15/16" (151mm)
	F-44375E				
	F-44376E				
	F-44500E				
F-44750E	8-1/8" (206mm)	3" (76mm)	2" (51mm)	6-13/16" (173mm)	
Adjustable	F-44250EA	7" (178mm)	4-1/2" (114mm)	1-11/16" (43mm)	6" (152mm)
	F-44375EA				
	F-44376EA				
	F-44500EA				
F-44750EA	8" (203mm)	4-1/2" (114mm)	2" (51mm)	6-13/16" (173mm)	

Dimensions



Model Number Matrix

F-440 Model Number

F	Flow Meter						
Series							
	44	F-440 Polysulfone Body					
Scale							
	250	0.025 - .250 gpm (0.1 - 1.0 lpm) PVDF Float					
	375	0.1 - 1.0 gpm (0.4 - 4.0 lpm) 316SS Float					
	376	0.2 - 2.0 gpm (0.8 - 8.0 lpm) 316SS Float					
	500	0.5 - 5.0 gpm (1.8 - 18.0 lpm) 316SS Float					
	750	1.0 - 10 gpm (5.0 - 37.5 lpm) 316SS Float					
Guide-Wire Material							
	L	316 Stainless steel rod					
Installation							
	(Blank)	In-Line Model					
	E	Panel Mount Model					
	A	Adjustable Panel					
Adapter				Adapter (For 750)			
	6	.375" Male npt Polysulfone Adapter and Union			8	.50" Male npt Polysulfone Adapter and Union	
	8	.50" Male npt Polysulfone Adapter and Union			12	.75" Male npt Polysulfone Adapter and Union	
O-Rings							
	(Blank)	Viton					
	-22Q	EP					
F	-	44	250	L	-	6	Sample Model Number

***In-house NIST Calibration, OEM packaging and silicone oil free options are also available.**

F-450

F-450 Flow Meters are obsolete as of 1/1/25.
Reference F-440 Flow Meters for alternate.

Variable Area Flow Meter



- > Polysulfone body resists high temperatures and pressures
- > In-line or panel mount configurations available
- > Indoor use only
- > Full scale accuracy +/- 4%
- > 316ss float & guide-wire

Highlights

Flow range

0.1 - 10 GPM
0.4 - 40 LPM

Pressures up to

150 PSI
(10.3 bar)

Max. fluid temp.

150 °F
65 °C

Body

Polysulfone

Adapters

3/8" - 3/4" M/NPT
(Inline & panel mount)

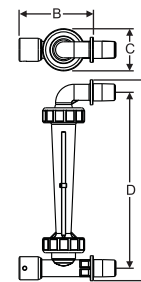
Warranty

1 Year

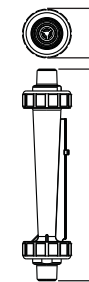
Dimensions

	Pipe Size	A	B	C	D
Inline	F-45375L	8-7/8" (225.5mm)	1-3/4" (44.4mm)	N/A	N/A
	F-45376L				
	F-45500L				
	F-45750L	10" (254mm)	2" (51mm)	N/A	N/A
Elbow	F-45375E	9-7/8" (250.8mm)	3-1/2" (88mm)	2" (51mm)	9-1/8" (233mm)
	F-45376E				
	F-45500E				
	F-45750E	10" (254mm)	3-1/2" (88mm)	2" (51mm)	9-1/8" (233mm)
Adjustable	F-45375A	9-7/8" (250.8mm)	5" (127mm)	2" (51mm)	8-9/16" (217.5mm)
	F-45376A				
	F-45500A				
	F-45750A	10" (254mm)	5" (127mm)	2" (51mm)	9-1/8" (231.8mm)

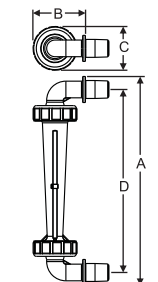
Adjustable Panel Mount



Inline Mount



Elbow Panel Mount



What's in the box

Flow meter x1
Instruction manual

F-450 Flow Meters are obsolete as of 1/1/25.
Reference F-440 Flow Meters for alternate.



Model Number Matrix

F-450 Flow Meters are obsolete as of 1/1/25. Reference F-440 Flow Meters for alternate.

F-450 Model Number

F	Flow Meter						
Series							
	45	F-450 Polysulfone body					
Scale							
	375	0.1 - 1.0 gpm (0.4 - 4.0 lpm) Teflon float					
	376	0.2 - 2.0 gpm (1.0 - 7.5 lpm) 316ss Float					
	500	0.5 - 5.0 gpm (2.0 - 20 lpm) 316ss Float					
	750	1.0 - 10 gpm (4.0 - 40 lpm) 316ss Float					
Guide-wire material							
	L	316 Stainless steel rod					
Installation							
	(Blank)	In-Line model					
	E	Panel mount model (6, 8 and 12 adapter options only)					
	A	Adjustable panel mount model (6, 8 and 12 adapter options only)					
Adapter							
	6	0.375" Female NPT polypropylene adapter & polysulfone union (0.375" Male NPT adapters for panel mount models)					
	8	0.50" Male NPT polysulfone adapter & union (in-line & panel mount models)					
	12	0.75" Male NPT polysulfone adapter & union (in-line & panel mount models)					
O-Rings							
	(Blank)	Viton					
	-22Q	EP					
F	-	45	375	L	-	6	Sample Model Number

*In-house NIST Calibration, OEM packaging and silicone oil free options are also available.

F-451

Variable Area Flow Meter



- > Polysulfone body resists high temperatures and pressures
- > In-line or panel mount configurations available
- > Indoor use only
- > Full Scale Accuracy +/- 3%
- > 316ss float & guide-wire

Highlights

Flow range

0.5 - 40 GPM
2.0 - 155 LPM

Pressures up to

150 PSI
(10.3 bar)

Max. fluid temp.

212 °F
100 °C

Body

Polysulfone

Adapters

1.0" & 1.5" F/NPT
(Inline & panel mount)

Warranty

1 Year

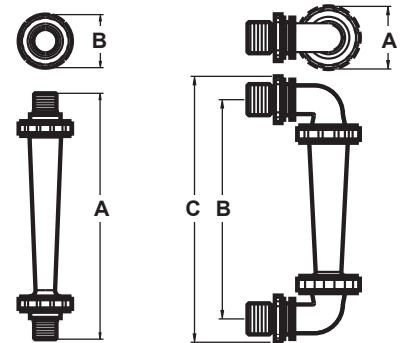
Dimensions

Vertical Inline Models

Dim	Inch	cm
A	14-1/2"	36.83
B	3-5/16"	8.41

Panel Mount Elbow Models

Dim	Inch	cm
A	3-5/16"	8.41
B	15"	38.1
C	17"	43.18



What's in the box

Flow meter x1
Instruction manual



Model Number Matrix

F-451 Model Number

F	Flow Meter					
Series						
	451	F-451 Polysulfone body				
Scale						
	006	0.5 - 6 gpm (2 - 22 lpm) Teflon Float				
	001	1 - 10 gpm (4 - 40 lpm) 316ss Float				
	002	2 - 20 gpm (6 - 76 lpm) 316ss Float				
	003	3 - 30 gpm (12 - 115 lpm) 316ss Float				
	004	4 - 40 gpm (15 - 155 lpm) 316ss Float				
Guide-Wire Material						
	LHN	316 Stainless steel rod				
Special						
	(Blank)	Standard meter				
Adapter						
	(Blank)	1.0" Female NPT, Polysulfone				
	-24	1.5" Female NPT, PVC				
	E	90° Elbow 1.0" Male NPT , Polysulfone				
O-Ring						
	(Blank)	Viton				
	-22R	EP				
F	-	451	006	LHN		Sample Model Number

*In-house NIST Calibration, OEM packaging and silicone oil free options are also available.

Optional Accessories and Components

Polycarbonate Shield Kit KIT-SHS
 (Includes shield and two adapters. Some assembly required.)



F-452

Variable Area Flow Meter

- > Polysulfone body resists high temperatures and pressures
- > In-line or panel mount configurations available
- > Indoor use only
- > Full scale accuracy +/- 2%
- > 316ss float & guide-wire



Highlights

Flow range

2 - 175 GPM
8 - 675 LPM

Pressures up to

150 PSI
(10.3 bar)

Max. fluid temp.

200 °F
93 °C

Body

Polysulfone

Adapters

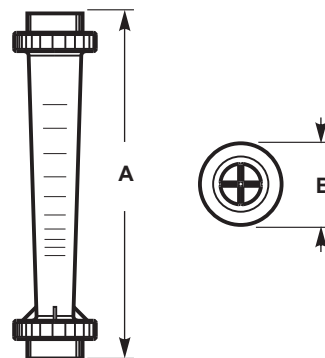
2.0" F/NPT

Warranty

1 Year

Dimensions

Dim	Inch	cm
A	18-7/8"	47.9
B	4-5/8"	11.7



What's in the box

Flow meter x1
Instruction manual



Model Number Matrix

F-452 Model Number

F	Flow Meter					
Series						
	452	F-452 Polysulfone Body				
Scale						
	020	2 - 20 gpm (8 - 78 lpm) Teflon Float				
	060	6 - 60 gpm (30 - 230 lpm) 316ss Float				
	080	8 - 80 gpm (40 - 300 lpm) 316ss Float				
	100	6 - 100 gpm (20 - 380 lpm) 316ss Float				
	130	20 - 130 gpm (80 - 500 lpm) 316ss Float				
	175	25 - 175 gpm (100 - 675 lpm) 316ss Float				
Guide-Wire Material						
	LHN	316 Stainless steel rod				
Special						
	(Blank)	Standard Meter				
Adapter						
	(Blank)	2.0" Female NPT, Polysulfone				
O-Rings						
	(Blank)	Viton				
	-22T	EP				
F	-	452	020	LHN		Sample Model Number

*In-house NIST Calibration, OEM packaging and silicone oil free options are also available.

Optional Accessories and Components

Polycarbonate Shield Kit KIT-SHL
 (Includes shield and two grooved unions. Some assembly required.)



F-460

Variable Area Flow Meter

- > Polysulfone body resists high temperatures and pressures
- > Ultrapure - No metal in fluid path
- > Indoor use only
- > Full scale accuracy +/- 2.5%
- > PTFE float for corrosive applications



Highlights

Flow range

0.1 - 5.0 GPM
0.4 - 20.0 LPM

Pressures up to

150 PSI
(10.3 bar)

Max. fluid temp.

210 °F / 98 °C (PVDF)
130 °F / 54 °C (PVC)

Body

Polysulfone

Adapters

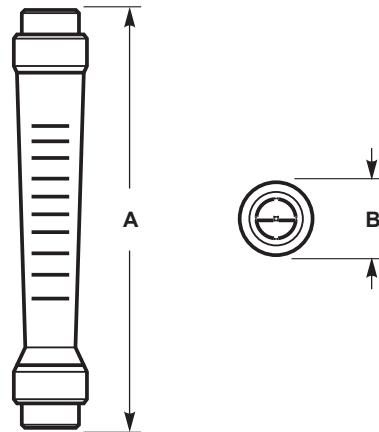
1/2" & 3/4" F/NPT

Warranty

1 Year

Dimensions

Dim	Inch	cm
A	10"	25.4
B	1-3/4"	44.0



What's in the box

Flow meter x1
Instruction manual



Model Number Matrix

F-460 Model Number

F	Flow Meter						
Series							
	460	F-460 Polysulfone body					
Scale							
	10	0.1 - 1.2 gpm (0.4 - 4.4 lpm) Teflon Float					
	20	0.2 - 2.0 gpm (0.8 - 8.0 lpm) Teflon Float					
	30	0.3 - 3.0 gpm (1.0 - 11 lpm) Teflon Float					
	50	0.5 - 5.0 gpm (2.0 - 20 lpm) Teflon Float					
Union							
	LX	Aluminum union					
	LP	PVC union					
Adapter							
	08P	0.5" Female NPT, PVC					
	08K	0.5" Female NPT, PVDF					
	12P	0.75" Female NPT, PVC					
	12K	0.75" Female NPT, PVDF					
O-Rings							
	(Blank)	Viton					
	-22Q	EP					
F	-	460	10	LX	-	08P	Sample Model Number

*In-house NIST Calibration, OEM packaging and silicone oil free options are also available.

F-461

Variable Area Flow Meter

- > Polysulfone body resists high temperatures and pressures
- > Ultrapure - No metal in fluid path
- > Indoor use only
- > Full scale accuracy +/- 2.5%
- > PTFE float for corrosive applications



Highlights

Flow range

1.0 - 35.0 GPM
4.0 - 130 LPM

Pressures up to

150 PSI
(10.3 bar)

Max. fluid temp.

210 °F / 98 °C (PVDF)
130 °F / 54 °C (PVC)

Body

Polysulfone

Adapters

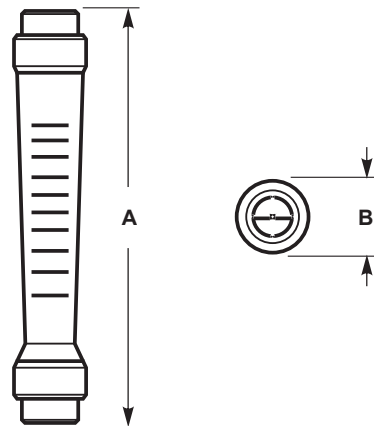
1.0" F/NPT

Warranty

1 Year

Dimensions

Dim	Inch	cm
A	15"	38.1
B	2-3/4"	7.0



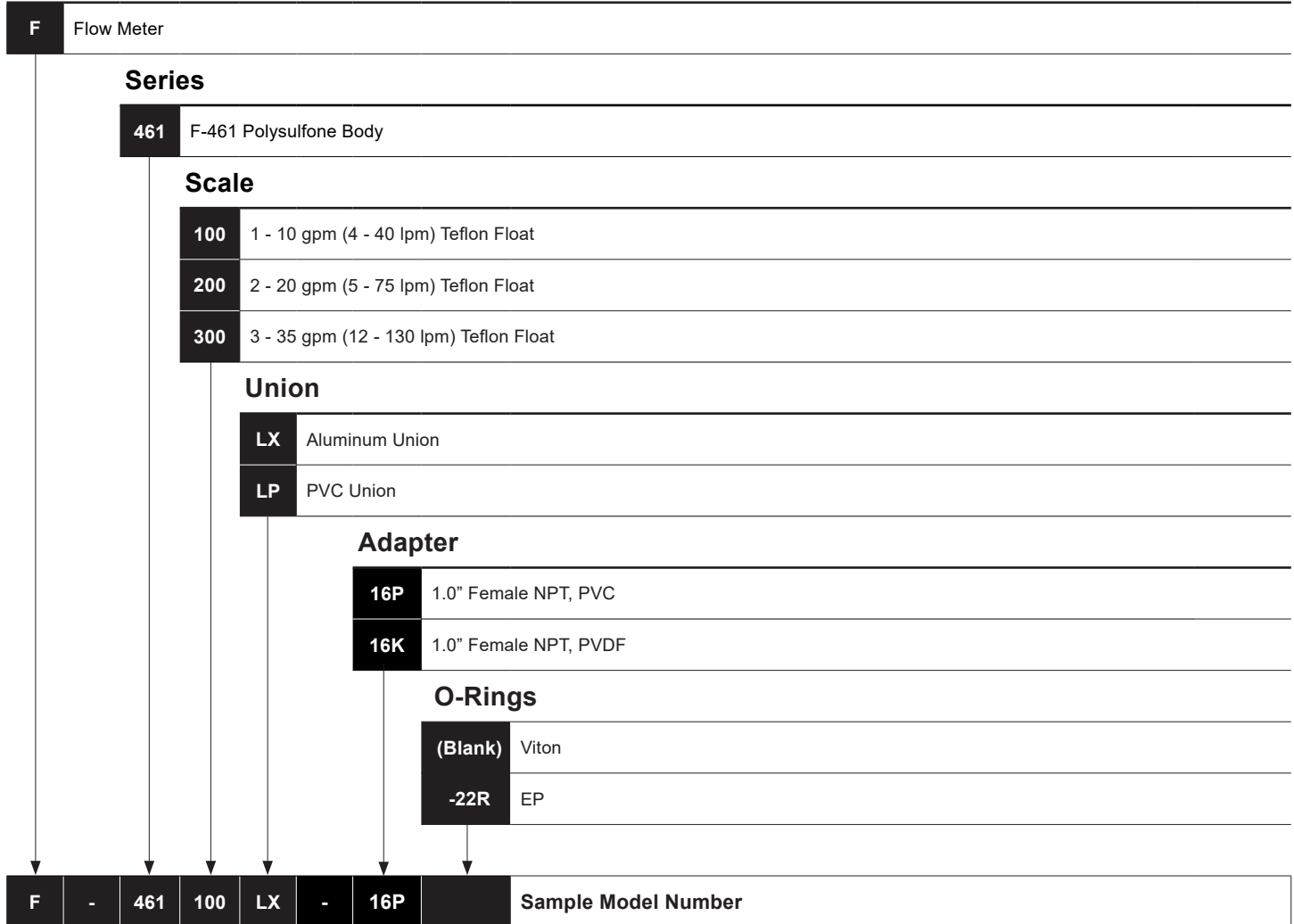
What's in the box

Flow meter x1
Instruction manual



Model Number Matrix

F-461 Model Number



*In-house NIST Calibration, OEM packaging, silicone oil free and bulk packaging options are also available.

F-462

Variable Area Flow Meter

- > Polysulfone body resists high temperatures and pressures
- > Ultrapure - No metal in fluid path
- > Indoor use only
- > Full scale accuracy +/- 2.5%
- > PTFE float for corrosive applications



Highlights

Flow range

2.0 - 80 GPM
6 - 300 LPM

Pressures up to

150 PSI
(10.3 bar)

Max. fluid temp.

200 °F
93 °C

Body

Polysulfone

Adapters

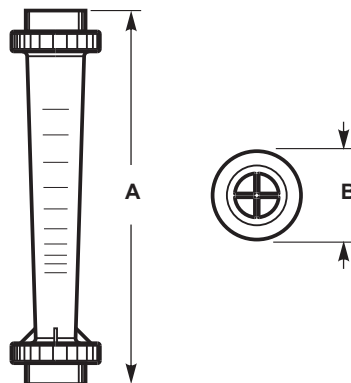
2.0" F/NPT

Warranty

1 Year

Dimensions

Dim	Inch	cm
A	18-7/8"	47.9
B	4-5/8"	11.7



What's in the box

Flow meter x1
Instruction manual



Model Number Matrix

F-462 Model Number

F	Flow Meter						
Series							
	462	F-462 Polysulfone body					
Scale							
	200	2 - 20 gpm, (8 - 80 lpm) Teflon Float					
	500	5 - 50 gpm (20 - 200 lpm) Teflon Float					
	800	8 - 80 gpm (30 - 300 lpm) Teflon Float					
Union							
	LX	Polysulfone Union					
	LP	PVC Union					
Adapter							
	32H	2.0" Female NPT, Polysulfone					
O-Rings							
	(Blank)	Viton					
	-22T	EP					
F	-	462	200	LX	-	32H	Sample Model Number

*In-house NIST Calibration, OEM packaging and silicone oil free options are also available.

Optional Accessories and Components

Polycarbonate Shield Kit KIT-SHL
 (Includes shield and two grooved unions. Some assembly required.)



FLOW METER WARRANTY

LIMITED WARRANTY

Your Blue-White product is a quality product and is warranted for a specific time from date of purchase (proof of purchase is required). The product will be repaired or replaced at our discretion. Failure must have occurred due to defect in material or workmanship and not as a result of operation of the product other than in normal operation as defined in the product manual. Warranty status is determined by the product's serial label and the sales invoice or receipt. The serial label must be on the product and legible. The warranty status of the product will be verified by Blue-White or a factory authorized service center.

Variable Area and Digital Flow meters are warranted for 1 year from date of purchase (proof of purchase is required). The flow meter will be repaired or replaced at our discretion. SONIC-PRO® MS6 is warranted for 5 years from date of purchase (proof of purchase is required). The flowmeter will be repaired or replaced at our discretion.

WHAT IS NOT COVERED

- Freight to the factory, or service center.
- Products that have been tampered with, or in pieces.
- Damage resulting from misuse, carelessness such as chemical spills on the enclosure, abuse, lack of maintenance, or alteration which is out of our control.
- Damage by faulty wiring, power surges or acts of nature.

BLUE-WHITE does not assume responsibility for any loss, damage, or expense directly or indirectly related to or arising out of the use of its products. Failure must have occurred due to defect in material or workmanship and not as a result of operation of the product other than in normal operation as defined in the pump manual.

Warranty status is determined by the pump's serial label and the sales invoice or receipt. The serial label must be on the pump and legible. The warranty status of the pump will be verified by Blue-White or a factory authorized service center.

PROCEDURE FOR IN WARRANTY REPAIR

Warranty service must be performed by the factory or an authorized service center. Contact the factory or local repair center to obtain a RMA (Return Material Authorization) number. It is recommended to include foot strainer and injection/check valve fitting since these devices may be clogged and part of the problem. Decontaminate, dry, and carefully pack the product to be repaired. Please enclose a brief description of the problem and proof of purchase. Prepay all shipping and insurance cost. COD shipments will not be accepted. Damage caused by improper packaging is the responsibility of the sender. When In-Warranty repair is completed, the factory pays for return shipping to the dealer or customer.

PRODUCT USE WARNING

Blue-White products are manufactured to meet the highest quality standards in the industry. Each product instruction manual includes a description of the associated product warranty and provides the user with important safety information. Purchasers, installers, and operators of Blue-White products should take the time to inform themselves about the safe operation of these products. In addition, Customers are expected to do their own due diligence regarding which products and materials are best suited for their intended applications. BLUE-WHITE is pleased to assist in this effort but does not guarantee the suitability of any particular product for any specific application as Blue-White does not have the same degree of familiarity with the application that the customer/end user has. While BLUE-WHITE will honor all of its product warranties according to their terms and conditions, Blue-White shall only be obligated to repair or replace its defective parts or products in accordance with the associated product warranties.

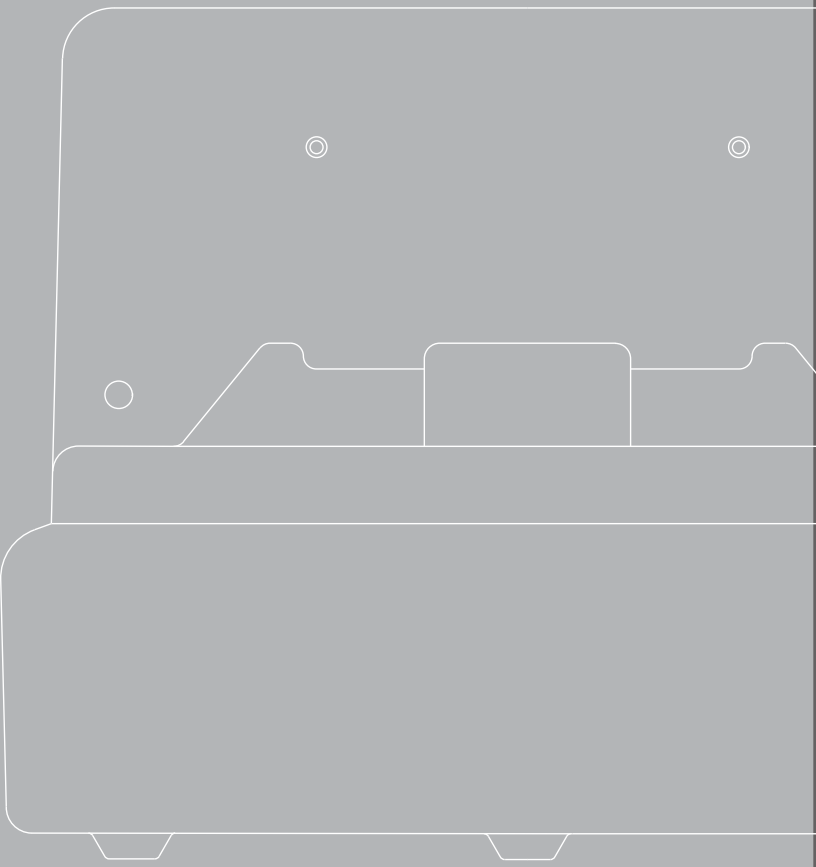
BLUE-WHITE SHALL NOT BE LIABLE EITHER IN TORT OR IN CONTRACT FOR ANY LOSS OR DAMAGE WHETHER DIRECT, INDIRECT, INCIDENTAL, OR CONSEQUENTIAL, ARISING OUT OF OR RELATED TO THE FAILURE OF ANY OF ITS PARTS OR PRODUCTS OR OF THEIR NONSUITABILITY FOR A GIVEN PURPOSE OR APPLICATION.

CHEMICAL RESISTANCE WARNING

BLUE-WHITE offers a wide variety of wetted parts. Purchasers, installers, and operators of Blue-White products must be well informed and aware of the precautions to be taken when injecting or measuring various chemicals, especially those considered to be irritants, contaminants or hazardous. Customers are expected to do their own due diligence regarding which products and materials are best suited for their applications, particularly as it may relate to the potential effects of certain chemicals on Blue-White products and the potential for adverse chemical interactions. Blue-White tests its products with water only. The chemical resistance information included in this instruction manual was supplied to BLUE-WHITE by reputable sources, but Blue-White is not able to vouch for the accuracy or completeness thereof. While BLUE-WHITE will honor all of its product warranties according to their terms and conditions, Blue-White shall only be obligated to repair or replace its defective parts or products in accordance with the associated product warranties.

BLUE-WHITE SHALL NOT BE LIABLE EITHER IN TORT OR IN CONTRACT FOR ANY LOSS OR DAMAGE, WHETHER DIRECT, INDIRECT, INCIDENTAL, OR CONSEQUENTIAL, ARISING OUT OF OR RELATED TO THE USE OF CHEMICALS IN CONNECTION WITH ANY BLUE-WHITE PRODUCTS.

Users of electrical and electronic equipment (EEE) with the WEEE marking per Annex IV of the WEEE Directive must not dispose of end of life EEE as unsorted municipal waste, but use the collection framework available to them for the return, recycle, recovery of WEEE and minimize any potential effects of EEE on the environment and human health due to the presence of hazardous substances. The WEEE marking applies only to countries within the European Union (EU) and Norway. Appliances are labeled in accordance with European Directive 2002/96/EC. Contact your local waste recovery agency for a Designated Collection Facility in your area.



MUNICIPAL
Tank Systems
and Accessories

Blue-White[®]

STAR III SYSTEM

Metering Pump Tank System



- > Polyethylene tank with U.V. inhibitors for sunlight protection
- > The tank has extra heavy wall thickness for stability
- > All necessary accessories are included
- > Raised off the floor for easy wash down
- > Lid position: open, closed, or vented
- > For use with: M1, MD1, and A100N pumps.

Highlights

Tank capacity

7 gallon,
15 gallon, or
30 gallon

Compatibility

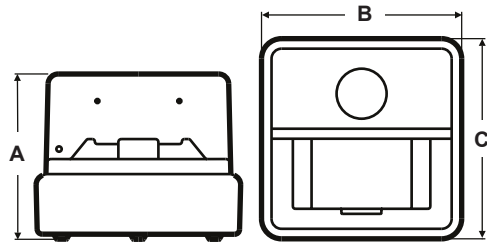
M1, MD1

Warranty

1 Year

Dimensions

	7 Gallon Tank	15 Gallon Tank	30 Gallon Tank
PART	KIT-S07	KIT-S15	KIT-S30
A	12" (30cm)	17.25" (44cm)	27.50" (69cm)
B	18.5" (47cm)	20" (51cm)	20" (51cm)
C	18.5" (47cm)	20" (51cm)	20" (51cm)
SHIP WT	24 lb. (11kg)	32 lb. (15kg)	38 lb. (18kg)



What's in the box

- One tank
- One lid (3-way position for open, closed or vented)
- One foot valve (71000-351)
- Mounting screws
- Pump mounting bracket

CHEMICAL TANK

Tank System

- > Polyethylene single wall tank
- > U.V. inhibitors for sunlight protection
- > The tank has extra heavy wall thickness for stability
- > Includes volume graduation marks



Highlights

Tank capacity

15 gallon,
30 gallon, or
50 gallon

Complete

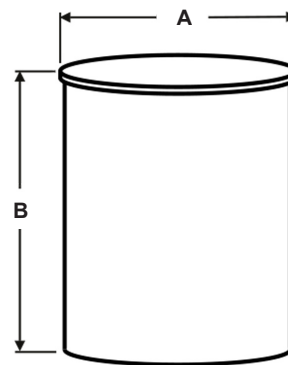
Tanks come with solid,
one-piece lid

Warranty

1 Year

Dimensions

	ST-15	ST-30	ST-50
	15 Gallon Tank	30 Gallon Tank	50 Gallon Tank
A	14.13" (35.8 cm)	18.50" (46.9 cm)	22.50" (57.1 cm)
B	23.63" (60.0 cm)	28.38" (72.0 cm)	33.38" (84.7 cm)
SHIP WT	11 lb. (4.90 kg)	16 lb. (7.30 kg)	23 lb. (10.40 kg)
TANK W/Lid	ST-15	ST-30	ST-50



What's in the box

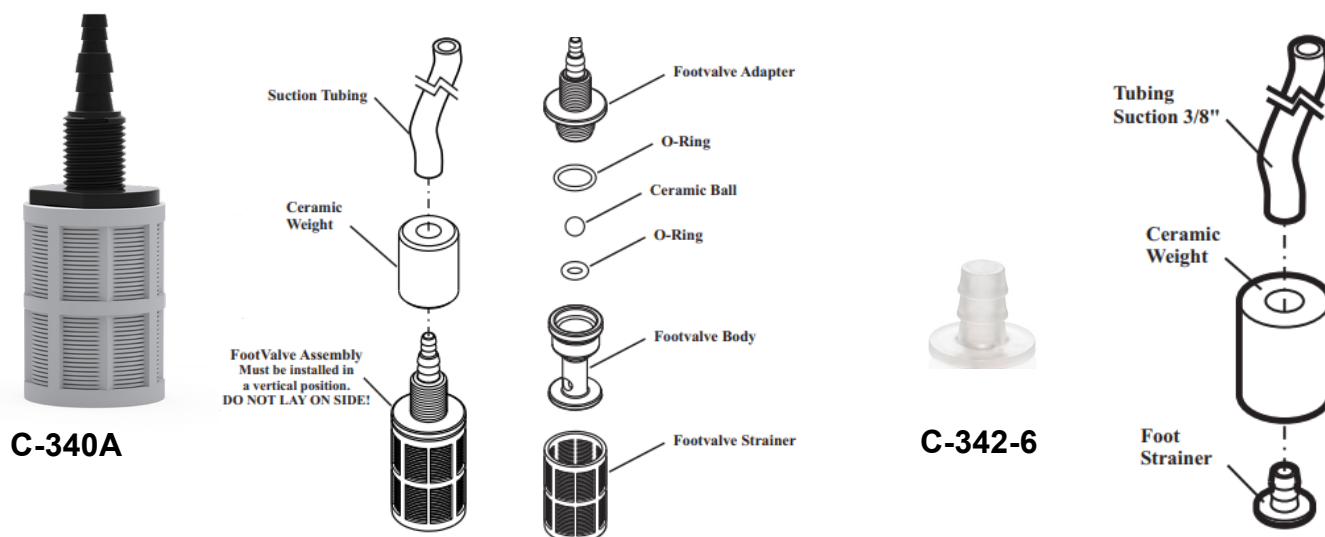
1 Tank
1 Lid

This page intentionally left blank.

FOOT VALVES and STRAINERS

Foot Valves can be added to the suction end of a chemical feed system to aid in maintaining a full and primed suction line. A foot valve can help maintain the prime, keeping the suction line full when performing maintenance. It also prevents the solution from flowing back into the feed tank whenever there is a leak, when pump ball checks are not seated, or when the feed tank runs dry.

Strainers are needed if there is particulate in the solution that can clog ball checks or injection valves (injectors.)



Cat. No. / Part No.	Description
FOOT VALVES AND STRAINERS	
C-340A	Foot Valve for 1/4" ID, 3/8" OD tubing, Aflas, PVDF (No spring)
C-340E	Foot Valve for 1/4" ID, 3/8" OD tubing, EP, PVDF (No spring)
C-342-6	Strainer, for 1/4" ID tubing
C-346	Ceramic Weight (for 3/8" OD tubing)
C-345E	Foot Valve/Bulkhead Fitting for 1/4" tubing, 3/8" OD, EP Seal, PVDF
C-345A	Foot Valve/Bulkhead Fitting for 1/4" tubing, 3/8" OD, FKM/Aflas, PVDF
71000-825	Suction Strainer, 1/2" Barb, PVDF body
71000-824	Suction Strainer, 1/2" MNPT, PVDF body
71010-261	Foot Valve, 1/4" ID x 3/8 OD tube, PVDF Body, FKM O-ring
71000-575	Foot Valve, 1/2" Barb, PVDF Body, FKM O-ring
71000-576	Foot Valve, 1/2" Barb, PVDF Body, EP O-ring
71000-849	Foot Valve, 1/2" MNPT, PVDF Body, FKM O-ring
71000-850	Foot Valve, 1/2" MNPT, PVDF Body, EP O-ring
71001-005	Foot Valve, 1/2" MNPT, PVDF Body, FKM O-ring (PTFE Ball)
71001-106	Foot Valve, 1/4" ID x 3/8 OD tube, PVDF Body, FKM O-ring
71001-107	Foot Valve, 1/4" ID x 3/8 OD tube, PVDF Body, EP O-ring

INJECTION VALVES

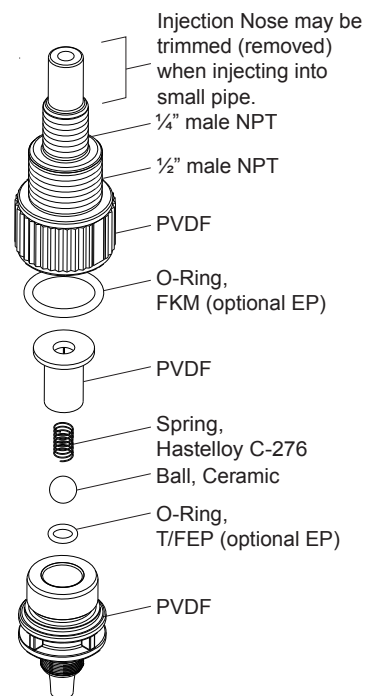
Injection valves are used to ensure consistent injection of chemical into water lines. They contain ball checks to prevent back-flow, and springs to prevent siphoning into non-pressurized systems.



A-014N-6A



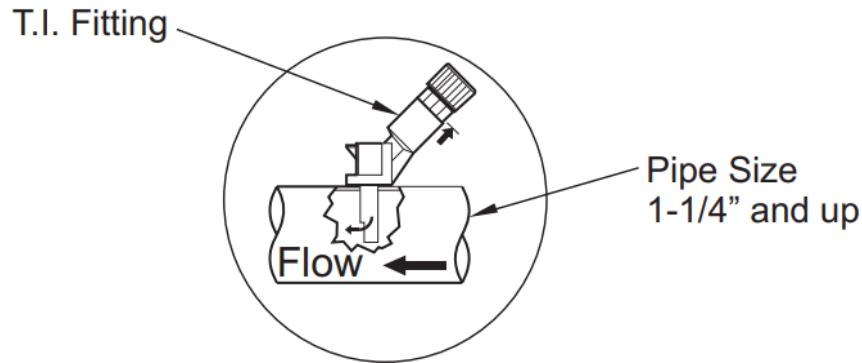
A-014NK-6A



Cat. No./ Part No.	Description
INJECTION VALVES for FLEXFLO	
A-014N-6A	Injection Valve, for 3/8" OD Tubing, Aflas/FKM, PP body, 1/2 psi
A-014N-6E	Injection Valve, for 3/8" OD Tubing, EP, PP body, 1/2 psi
A-014NK-6A	Injection Valve, for 3/8" OD Tubing, Aflas/FKM, PVDF body, 1/2 psi
A-014NK-6E	Injection Valve, for 3/8" OD Tubing, EP, PVDF body, 1/2 psi
A-014NK-6A-T	Injection Valve, for 3/8" OD Tubing, Aflas/FKM, PVDF body, 1/2 psi (PTFE Ball)
71000-770	Injection Valve, 1/2" Barb Tubing, FKM, PVDF body, 2 psi
71010-377	Injection Valve, 1/2" Barb Tubing, EP, PVDF body, 2 psi
71000-985	Injection Valve, 1/2" MNPT, FKM, PVDF body, 2 psi (PTFE Ball)
71000-767	Injection Valve, 1/2" MNPT, FKM, PVDF body, 2 psi
71010-386	Injection Valve, 1/2" MNPT, EP, PVDF body, 2 psi
INJECTION VALVES for CHEM-FEED	
C-395N-6A	Injection Valve, for 3/8" OD Tubing, Aflas/FKM, PP body, 6 psi
C-395N-6E	Injection Valve, for 3/8" OD Tubing, EP, PP body, 6 psi
C-395NK-6A	Injection Valve, for 3/8" OD Tubing, Aflas/FKM, PVDF body, 6 psi
C-395NK-6E	Injection Valve, for 3/8" OD Tubing, EP, PVDF body, 6 psi
C-395NK-6A-PTFE	Injection Valve, for 3/8" OD Tubing, Aflas/FKM, PVDF body, 6 psi (PTFE Ball)
71000-579	Injection Valve, 1/2" Barb Tubing, FKM, PVDF body, 6 psi
71000-580	Injection Valve, 1/2" Barb Tubing, EP, PVDF body, 6 psi
71000-577	Injection Valve, 1/2" MNPT, FKM, PVDF body, 6 psi
71000-578	Injection Valve, 1/2" MNPT, EP, PVDF body, 6 psi
71001-004	Injection Valve, 1/2" MNPT, FKM, PVDF body, 6 psi (PTFE Ball)

THREADLESS INJECTION VALVES

Threadless Injection valves do not require tees or threaded fittings. They are used to ensure accurate injection into pipe or tubing, and to prevent back-flow. T.I. injectors require a drilled 3/8" diameter hole into pipe or tube, and must be secured with the provided clamp.



Part No.	Description
T.I. FITTINGS (Threadless Injectors)	
TI40-4V	T.I. for 1/4" OD for 1-1/4", 1-1/2", & 2" pipe
TI40-6V	T.I. for 3/8" OD for 1-1/4", 1-1/2", & 2" pipe
TI48-4V	T.I. for 1/4" OD for 2-1/2" pipe
TI48-6V	T.I. for 3/8" OD for 2-1/2" pipe
TI56-4V	T.I. for 1/4" OD for 3" pipe
TI56-6V	T.I. for 3/8" OD for 3" pipe
TI-4V	T.I. for 1/4" OD (no clamp)
TI-6V	T.I. for 3/8" OD (no clamp)

TUBING

Cat. No.	Description
TUBING	
C-334-6	Tubing, Suction, clear PVC 3/8" OD x 5 ft length
C-334-6-10	Tubing, Suction, clear PVC 3/8" OD x 10 ft length
C-334-6-25	Tubing, Suction, clear PVC 3/8" OD x 25 ft length
C-334-6-100	Tubing, Suction, clear PVC 3/8" OD x 100 ft length
76001-361	Tubing, Suction, clear PVC, 1/2" ID x 3/4" OD, 8 ft length
C-335-6	Tubing, Discharge, polyethylene, 3/8" OD x 5 ft length
C-335-6-10	Tubing, Discharge, polyethylene, 3/8" OD x 10 ft length
C-335-6-25	Tubing, Discharge, polyethylene, 3/8" OD x 25 ft length
C-335-6-100	Tubing, Discharge, polyethylene, 3/8" OD x 100 ft length
90008-437	Tubing, Discharge, Clear Braided PVC, 1/2" ID x 3/4" OD.
COMPRESSION NUTS and CLAMPS	
C-330-6	PVDF Compression Nut, FNPT Threaded
C-3330	Hose Clamp, 316 SS, Screw Tightened

FLOW INDICATORS

Flow Indicators are used to give a visual indication of chemical flow.

Cat. No.	Description
CHEM-FEED® FLOW INDICATORS	
70000-640	CFI Molded, glued to 5 ft., 3/8" tubing for car wash models
70000-838	CFI Molded, glued to 5 ft., 3/8" tubing
70000-618	CFI Molded, glued to 10 ft., 3/8" tubing
70000-700	CFI Molded, glued to 6.75 ft., 3/8" tubing for Star Systems
FI-100-4V	CFI for use with 1/4" OD tubing, glass bobbin
FI-100-6V	CFI for use with 3/8" OD tubing, glass bobbin
FI-100S-6V	CFI for use with 1/4" OD tubing, S.S. bobbin
FI-100K-4V	12 Pack Display Kit of FI-100-4V
FI-100K-6V	12 Pack Display Kit of FI-100-6V
FI-100KS-6V	12 Pack Display Kit of FI-100S-6V

Cat. No.	Description
FLOW INDICATORS	
FI-100-8SV	Flow Indicator, Acrylic Body, Ceramic Ball. 1/2" Slip, PVC, FKM O-ring
FI-100-8SE	Flow Indicator, Acrylic Body, Ceramic Ball. 1/2" Slip, PVC, EP O-ring
FI-100-8MV	Flow Indicator, Acrylic Body, Ceramic Ball. 1/2" MNPT, PVC, FKM O-ring
FI-100-8ME	Flow Indicator, Acrylic Body, Ceramic Ball. 1/2" MNPT, PVC, EP O-ring
FI-100-8SV-CP	Flow Indicator, Acrylic Body, Ceramic Ball. 1/2" Slip, CPVC, FKM O-ring
FI-100-8SE-CP	Flow Indicator, Acrylic Body, Ceramic Ball. 1/2" Slip, CPVC, EP O-ring
FI-100-8SV-PE	Flow Indicator, Acrylic Body, Ceramic Ball. 1/2" Slip, PE, FKM O-ring
FI-100-8SE-PE	Flow Indicator, Acrylic Body, Ceramic Ball. 1/2" Slip, PE, EP O-ring



FI-100-8ME

QUICK DISCONNECTS

Quick Disconnect (QD) fittings are available for most Blue-White pumps. Quick Disconnects allow the user to safely and quickly disconnect the suction and discharge tubing or piping connections to the pump.

The quick disconnects make tube changes easier for peristaltic pumps while keeping chemicals from spilling or spraying during maintenance. For diaphragm pumps (CD1, MD1), the quick disconnects allow for simple maintenance with minimal chemical drippage.

Color coded: Orange = Discharge (built in check valve), White = Suction



Cat. No.	Description
QUICK DISCONNECT KITS	
KIT-CQA	Quick Disconnect Kit for CD1 Pump, PVDF, Alfas
KIT-CQE	Quick Disconnect Kit for CD1 Pump, PVDF, EP
KIT-QSV	Quick Disconnect Kit for A2, A3 Pumps, 1/4" x 3/8" fitting "S", PVDF, FKM
KIT-QSE	Quick Disconnect Kit for A2, A3 Pumps, 1/4" x 3/8" fitting "S", PVDF, EP
KIT-QSA	Quick Disconnect Kit for A2, A3 Pumps, 1/4" x 3/8" fitting "S", PVDF, Aflas
KIT-QBV	Quick Disconnect Kit for A2, A3, A4 Pumps, 1/2" Hose Barb fitting "B", PVDF, FKM
KIT-QBE	Quick Disconnect Kit for A2, A3, A4 Pumps, 1/2" Hose Barb fitting "B", PVDF, EP
KIT-QBA	Quick Disconnect Kit for A2, A3, A4 Pumps, 1/2" Hose Barb fitting, "B", PVDF, Aflas
KIT-QMV	Quick Disconnect Kit for A2, A3, A4 Pumps, 1/2" MNPT fitting "M", PVDF, FKM
KIT-QME	Quick Disconnect Kit for A2, A3, 4 Pumps, 1/2" MNPT fitting "M", PVDF, EP
KIT-QMA	Quick Disconnect Kit for A2, A3, A4 Pumps, 1/2" MNPT fitting "M", PVDF, Aflas



POWER CORDS and CABLES

Cat. No./ Part No.	Description
--------------------	-------------

POWER CORDS

90010-663	Power Cord, 6 ft Detachable, 115V / 60Hz, power cord NEMA 5/15 plug (US)
90010-711	Power Cord, 6ft Detachable / Lockable, 115V / 60 Hz (A3/A4/A5/CD3 only)
90010-821	Power Cord, 6ft Detachable / Lockable, 115V / 60 Hz (A1/CD1 only)
90010-664	Power Cord, 6 ft Detachable, 220V / 50HZ, power cord CEE 7/VII plug (EU)
90010-665	Power Cord, 6 ft Detachable, 230V / 50HZ, power cord BS 1363/A plug (UK)
90010-666	Power Cord, 6 ft Detachable, 240V / 50HZ, power cord AS 3112 plug (AU/New Zealand)
90010-696	Power Cord, 6 ft Detachable, 230V / 60Hz, power cord NEMA 6/15 plug (US)

M12 CABLES

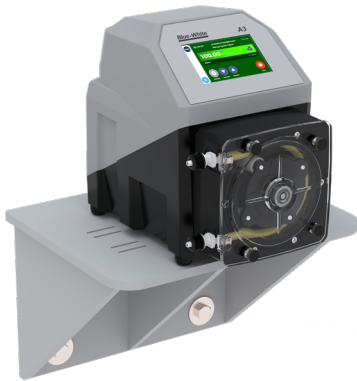
KIT-M12	M12 Cable Assy, 10 ft, Qty 2
KIT-M12-2-15	M12 Cable Assy, 15 ft, Qty 2
KIT-M12-2-30	M12 Cable Assy, 30 ft, Qty 2
KIT-M12-3	M12 Cable Assy, 10 ft, Qty 3
KIT-M12-3-15	M12 Cable Assy, 15 ft, Qty 3
KIT-M12-3-30	M12 Cable Assy, 30 ft, Qty 3
KIT-M12-6	M12 Cable Assy, 10 ft, Qty 6
KIT-M12-6-15	M12 Cable Assy, 15 ft, Qty 6
KIT-M12-6-30	M12 Cable Assy, 30 ft, Qty 6

OTHER CABLES

KIT-DP3	Profibus Cable, M12, 3 ft
CABLE-UAC	USB A-C Cable

BRACKETS and MISCELLANEOUS

Cat. No.	Description
MISC	
A-050	Silicon Oil, 5ml
PUMP SHELF	
KIT-PSM	Wall Mount Bracket, HDPE



KIT-PSM

MUNICIPAL

CO₂ Feed System

Blue-White[®]

CO₂ Feed System

- Safe Alternative to Acid Feed for pH Control
- Accurate and Reliable Flowmeter for Precise Feed
- 0-80 scfh float (installed), 30-350 scfh float (included separately)
- Illuminated On/Off Switch
- Stainless Steel Solenoid Valve
- Easy Push Connectors for Tubing Connection



Highlights

CO₂ Flow Ranges

0-80 scfh
30-350 scfh

Flowmeter

Accurate Polysulfone
Blue-White Rotameter

Solenoid Valve

Stainless Steel

Enclosure

Nema 4X

Injector / Eductor

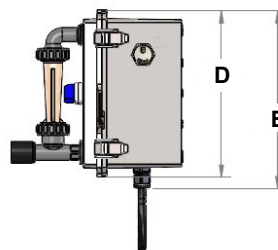
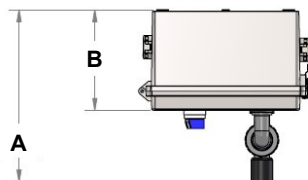
Effective Dissolution

Warranty

1 Year

Dimensions

Dim	Inch	cm
A	8.91"	22.6
B	5.21"	13.2
C	8.94"	22.7
D	8.60"	21.8
E	9.19"	23.3



What's in the box

CO₂ Feed System with 6 ft power cord
 Float for 0-80 scfh (installed), and float for 30-350 scfh (included separately)
 Injector/Diffuser (for use with 0-80 scfh flow)
 Tubing - 10' length (3/8" OD, 1/4" ID)
 Instruction manual



Model Number Matrix

CO2

Model Number

CO2	CO ₂ Feed System			
Series Control Options				
X	Manual / Local Control Only			
Power / Operating Voltage / Cord				
2	24VDC			
4	115V / 60Hz, power cord NEMA 5/15 plug (US)			
Options				
X	No option selected			
CO2	X	4	X	Sample Model Number

Accessories



**Injector / Diffuser
CO2-DCV**

Included with Feed System



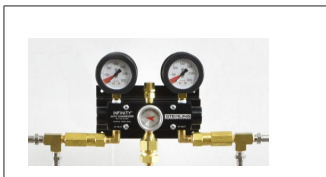
**EDUCTOR, 3/4" MNPT
CO2-EDU**



**Pressure Regulator
CO2-REG**



**2-Cylinder Switchover
CO2-SM2**



**4-Cylinder Switchover
CO2-SM4**



**20 lb Aluminum Cylinder
CO2-T20**



**50 lb Aluminum Cylinder
CO2-T50**



**Diffusor Filter Element
CO2-DIF**



**CO₂ Pre-heater, 120 VAC
CO2-HTR**

CO₂ FEED SYSTEM WARRANTY

LIMITED WARRANTY

Your Blue-White product is a quality product and is warranted for a specific time from date of purchase (proof of purchase is required). The product will be repaired or replaced at our discretion. Failure must have occurred due to defect in material or workmanship and not as a result of operation of the product other than in normal operation as defined in the product manual. Warranty status is determined by the product's serial label and the sales invoice or receipt. The serial label must be on the product and legible. The warranty status of the product will be verified by Blue-White or a factory authorized service center.

CO₂ Feed Systems are warranted for 1 year from date of purchase (proof of purchase is required). The system will be repaired or replaced at our discretion.

WHAT IS NOT COVERED

- Freight to the factory, or service center.
- Products that have been tampered with, or in pieces.
- Damage resulting from misuse, carelessness such as chemical spills on the enclosure, abuse, lack of maintenance, or alteration which is out of our control.
- Damage by faulty wiring, power surges or acts of nature.
- Damage damage that occurs as a result of: meter misalignment, improper installation, over tightening, use of non-recommended chemicals, use of nonrecommended adhesives or pipe dopes, excessive heat or pressure, or allowing the meter to support the weight of related piping.

BLUE-WHITE does not assume responsibility for any loss, damage, or expense directly or indirectly related to or arising out of the use of its products. Failure must have occurred due to defect in material or workmanship and not as a result of operation of the product other than in normal operation as defined in the manual.

Warranty status is determined by the product's serial label and the sales invoice or receipt. The serial label must be on the product and legible. The warranty status will be verified by Blue-White or a factory authorized service center.

PROCEDURE FOR IN WARRANTY REPAIR

Warranty service must be performed by the factory or an authorized service center. Contact the factory or local repair center to obtain a RMA (Return Material Authorization) number. It is recommended to include foot strainer and injection/check valve fitting since these devices may be clogged and part of the problem. Decontaminate, dry, and carefully pack the product to be repaired. Please enclose a brief description of the problem and proof of purchase. Prepay all shipping and insurance cost. COD shipments will not be accepted. Damage caused by improper packaging is the responsibility of the sender. When In-Warranty repair is completed, the factory pays for return shipping to the dealer or customer.

PRODUCT USE WARNING

Blue-White products are manufactured to meet the highest quality standards in the industry. Each product instruction manual includes a description of the associated product warranty and provides the user with important safety information. Purchasers, installers, and operators of Blue-White products should take the time to inform themselves about the safe operation of these products. In addition, Customers are expected to do their own due diligence regarding which products and materials are best suited for their intended applications. BLUE-WHITE is pleased to assist in this effort but does not guarantee the suitability of any particular product for any specific application as Blue-White does not have the same degree of familiarity with the application that the customer/end user has. While BLUE-WHITE will honor all of its product warranties according to their terms and conditions, Blue-White shall only be obligated to repair or replace its defective parts or products in accordance with the associated product warranties.

BLUE-WHITE SHALL NOT BE LIABLE EITHER IN TORT OR IN CONTRACT FOR ANY LOSS OR DAMAGE WHETHER DIRECT, INDIRECT, INCIDENTAL, OR CONSEQUENTIAL, ARISING OUT OF OR RELATED TO THE FAILURE OF ANY OF ITS PARTS OR PRODUCTS OR OF THEIR NONSUITABILITY FOR A GIVEN PURPOSE OR APPLICATION.

CHEMICAL RESISTANCE WARNING

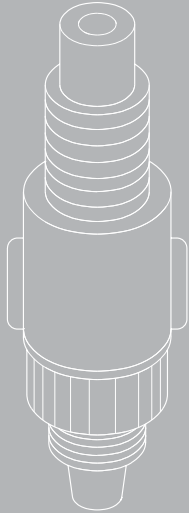
BLUE-WHITE offers a wide variety of wetted parts. Purchasers, installers, and operators of Blue-White products must be well informed and aware of the precautions to be taken when injecting or measuring various chemicals, especially those considered to be irritants, contaminants or hazardous. Customers are expected to do their own due diligence regarding which products and materials are best suited for their applications, particularly as it may relate to the potential effects of certain chemicals on Blue-White products and the potential for adverse chemical interactions. Blue-White tests its products with water only. The chemical resistance information included in this instruction manual was supplied to BLUE-WHITE by reputable sources, but Blue-White is not able to vouch for the accuracy or completeness thereof. While BLUE-WHITE will honor all of its product warranties according to their terms and conditions, Blue-White shall only be obligated to repair or replace its defective parts or products in accordance with the associated product warranties.

BLUE-WHITE SHALL NOT BE LIABLE EITHER IN TORT OR IN CONTRACT FOR ANY LOSS OR DAMAGE, WHETHER DIRECT, INDIRECT, INCIDENTAL, OR CONSEQUENTIAL, ARISING OUT OF OR RELATED TO THE USE OF CHEMICALS IN CONNECTION WITH ANY BLUE-WHITE PRODUCTS.

Users of electrical and electronic equipment (EEE) with the WEEE marking per Annex IV of the WEEE Directive must not dispose of end of life EEE as unsorted municipal waste, but use the collection framework available to them for the return, recycle, recovery of WEEE and minimize any potential effects of EEE on the environment and human health due to the presence of hazardous substances. The WEEE marking applies only to countries within the European Union (EU) and Norway. Appliances are labeled in accordance with European Directive 2002/96/EC. Contact your local waste recovery agency for a Designated Collection Facility in your area.

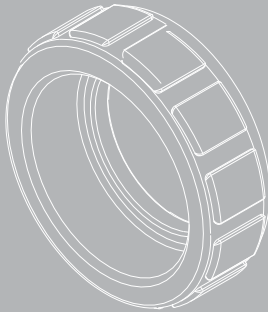
This page intentionally left blank.

This page intentionally left blank.



MUNICIPAL

Replacement Parts

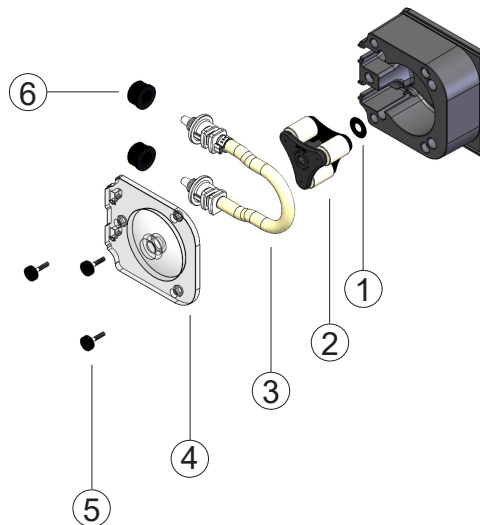


M1 Replacement Parts

Pump Head Components	Part No.	QTY Req'd
1 Spacer, back	90011-014	1
2 Complete Roller Assembly*		1
A1-1T / A1-2T / A1-3T / A1-7T	71000-350	
A1-4T / A1-6T	71000-159	
A1-8T	71000-255	
3 Tubing (Reference Tubing Matrix)		1
4 Pump Head Cover	90002-185	1
5 Thumb screw with 9/64" key drive	90011-160	3
6 Tube nut, compression, for 3/8" tubing**	C-330-6	2
N/S Mounting Bracket	90002-685	1
N/S Bumper Feet	90003-592	4
N/S Cover, Top, Polycarbonate	90002-684	1

*Rollers are specific to tube being used. See next page for complete tube part numbers.

**Tube nuts are used on "T" style inlet/outlet compression fittings.



*Pump Head not for sale. For more information please contact a local sales representative.

FLEXFLO® Model Number

A1 Tubing

Pump Tube Size and Material

1	Flex-A-Thane® 1/4" OD
2	Flex-A-Thane® 3/8" OD
3	Flex-A-Thane® 7/16" OD
4	Flex-A-Prene® 1/4" OD
6	Flex-A-Prene® 3/8" OD
7	Flex-A-Prene® 7/16" OD
8	Flex-A-Chem® 7/16" OD

Inlet/Outlet Connection Size, Connection Type

T	3/8" OD x 1/4" Tube Compression Fitting, Natural PVDF (Kynar)
M	1/2" Male NPT Fitting, Natural PVDF (Kynar)
MB	1/2" Male BSPT Fitting, Natural PVDF (Kynar)

A1 - **1** **T** Tube Sample Model Number

Output Specifications

Tube Material / Size	Feed Rate			Max Pressure	Max Temperature
	GPH	LPH	mL/Min	PSI (bar)	°F (°C)
Flex-A-Thane® Tube					
1	Up to 1.09	Up to 4.13	Up to 68.8	65 (4.50)	130 (54)
2	Up to 2.27	Up to 8.63	Up to 143.8	65 (4.50)	130 (54)
3	Up to 5.60	Up to 21.2	Up to 353.3	50 (3.45)	130 (54)
Flex-A-Prene® Tube					
4	Up to .44	Up to 1.68	Up to 28.0	100 (6.89)	185 (85)
6	Up to 1.35	Up to 5.14	Up to 85.2	100 (6.89)	185 (85)
7	Up to 4.17	Up to 15.8	Up to 263.1	50 (3.45)	185 (85)
Flex-A-Chem® Tube					
8	Up to 3.09	Up to 11.7	Up to 195.0	50 (3.45)	130 (54)

M2 Replacement Parts

Pump Head Components		Part No.	QTY Req'd
1	Spacer, Rear	90011-217	1
2	Complete Roller Assembly		1
	ND	A2-SND-R	
	NEE / NGG	A2-SNGG-R	
	TH	A2-STH-R	
	GE / GG / G2G / GH	A2-SGE-R	
3	Tubing (Reference Tubing Matrix)		1
4	Pump Head Cover (includes front spacer)	A2-SXX-C	1
5	Thumb Screws	90011-183	4
6	Tube Nut, Compression 3/8" Tubing*	C-330-6	2
7	Spacer, Front	90011-217	1

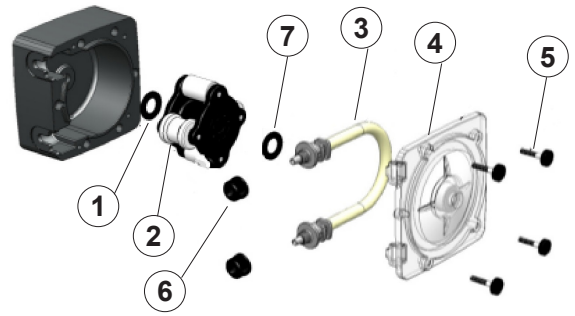
*Tube nuts for 'S' type tubing only

Quick Disconnect Fittings*		Part No.	QTY Req'd
8	Quick Disconnect		1
	.50" Barb FKM	KIT-QBV	
	.50" Barb EP	KIT-QBE	
	.50" Barb Aflas	KIT-QBA	
	.50" M/NPT FKM	KIT-QMV	
	.50" M/NPT EP	KIT-QME	
	.50" M/NPT Aflas	KIT-QMA	
	3/8" OD, 1/4" ID Tube Compression, FKM	KIT-QSV	
	3/8" OD, 1/4" ID Tube Compression, EP	KIT-QSE	
	3/8" OD, 1/4" ID Tube Compression, Aflas	KIT-QSA	

*Only available for Q tubes

Miscellaneous Parts*		Part No.	QTY Req'd
A	Stainless Steel Mounting Bracket	72000-379	1
B	Stainless Steel Mounting Bracket (Extended)	72000-380	1
C	Rubber Feet	90003-561	4
D	Tube Installation Tool	90002-278	1

*Sold Separately



*Pump Head not for sale. For more information please contact a local sales representative.



8



A



B



C



D

FLEXFLO® Model Number

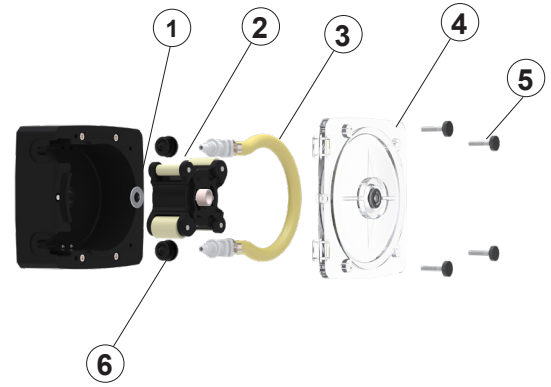
A2	Tubing					
Inlet/Outlet Connection Size, Connection Type, Connection Material						
S	3/8" OD x 1/4" ID Tube Compression Fitting, Natural PVDF (Kynar)					
M	1/2" Male NPT Fitting, Natural PVDF (Kynar)					
B	1/2" Hose Barb, Natural PVDF (Kynar), available for ND, NEE, NGG, and G2G only					
C	1/2" - 3/4" Tri-clamp connections, Natural PVDF (Kynar), available for ND, NEE, NGG, and G2G only					
Q	Quick Disconnect, Natural PVDF (Kynar), available for ND, NEE, NGG, and G2G only (valves sold separately)					
MB	1/2" Male BSPT Fitting, Natural PVDF (Kynar)					
Pump Tube Material, Pump Tube Size						
GE	Flex-A-Thane® .125 ID	ND	Flex-A-Prene® .075 ID			
GG	Flex-A-Thane® .187 ID	NEE	Flex-A-Prene® .093 ID			
G2G	Flex-A-Thane® .187 ID (dual tube)	NGG	Flex-A-Prene® .187 ID			
GH	Flex-A-Thane® .312 ID	TH	Flex-A-Chem® .250 ID			
A2	-	S	GE	-	T	Tube Sample Model Number

Output Specifications

Tube Material / Size	Feed Rate			Max Pressure	Max Temperature
	GPH	LPH	mL/Min	PSI (bar)	°F (°C)
Flex-A-Thane® Tube					
GE	Up to 4.0	Up to 15.2	Up to 253	65 (4.50)	130 (54)
GG	Up to 9.3	Up to 35.2	Up to 587	65 (4.50)	130 (54)
G2G	Up to 14.98	Up to 56.7	Up to 945	65 (4.50)	130 (54)
GH	Up to 21.23	Up to 80.4	Up to 1340	65 (4.50)	130 (54)
Flex-A-Prene® Tube					
ND	Up to 1.7	Up to 6.5	Up to 108	125 (8.60)	185 (85)
NEE	Up to 4.4	Up to 16.8	Up to 280	110 (7.60)	185 (85)
NGG	Up to 17.2	Up to 65	Up to 1085	110 (7.60)	185 (85)
Flex-A-Chem® Tube					
TH	Up to 14.3	Up to 54	Up to 900	50 (3.45)	130 (54)

M3 Replacement Parts

Pump Head Components		Part No.	QTY Req'd
1	Spacer, Rear	90011-184	1
2	Complete Roller Assembly		1
	NGG / NH / NJ / NK / NHL / NEE / TK	A3-SNGG-R	
	TH / NKL	A3-STH-R	
	ND / NF	A3-SND-R	
	GE / GG / GH / GK / G2G	A3-SGE-R	
3	Tubing (Reference Tubing Matrix)		1
4	Pump Head Cover	A3-SXX-C	1
5	Thumb Screws	90011-183	4
6	Tube Nut, Compression, For 3/8" Tubing	C-330-6	2

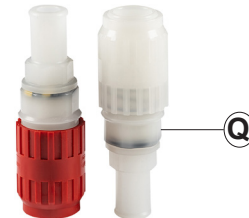
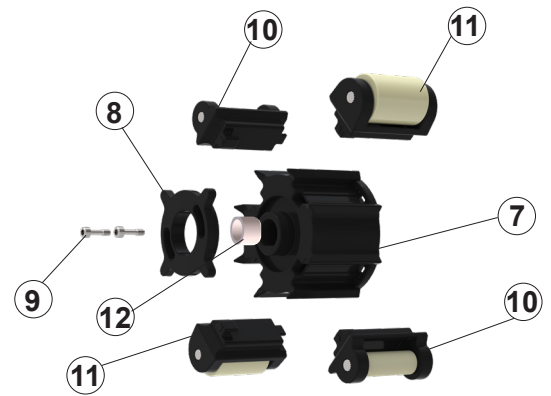


* Pump Head not for sale.
For more information please contact a local sales representative.

Roller Assembly Parts		Part No.	QTY Req'd
7	ROTOR BODY*	N/A	1
8	SPIDER RING*	90002-749	1
9	10-32 CAPTIVE SCREW*	90011-351	2
	*ROTOR ASSY (7, 8, 9, and 12)	A3-SXX-RB	1
10	ARM ROLLER GUIDE	71010-960	2
11	ARM ROLLER		
	NGG / NH / NJ / NK / NHL / NEE / TK	71010-956	2
	TH / NKL	71010-957	2
	ND / NF	71010-958	2
	GE / GG / GH / GK / G2G	71010-959	2
12	Spacer, Front*	76010-177	1

*Available as part of Rotor Assy A3-SXX-RB

Quick Disconnect Fittings		Part No.	QTY Req'd
Q	Quick Disconnect Fittings		1
	.50" M/NPT FKM	KIT-QMV	
	.50" M/NPT EP	KIT-QME	
	.50" M/NPT Aflas	KIT-QMA	
	.50" Barb FKM	KIT-QBV	
	.50" Barb EP	KIT-QBE	
	.50" Barb Aflas	KIT-QBA	
	3/8" OD, 1/4" ID Tube Compression, FKM	KIT-QSV	
	3/8" OD, 1/4" ID Tube Compression, EP	KIT-QSE	
	3/8" OD, 1/4" ID Tube Compression, Aflas	KIT-QSA	



Miscellaneous Parts		Part No.	QTY Req'd
A	SS Mounting Bracket (Standard)	72000-379	1
B	SS Mounting Bracket (Extended)	72000-380	1
C	Rubber Feet	90003-561	4

A

B



C

FLEXFLO® Tube Assembly Part Number

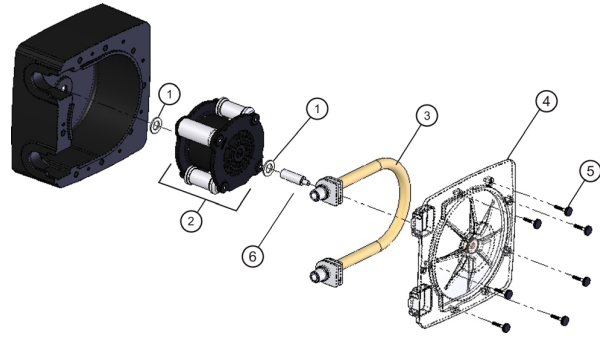
A3	Tubing (for use on A3, A3S, M3 or M3S pumps only)				
Inlet/Outlet Connection Size, Connection Type, Connection Material					
S	3/8" OD x 1/4" ID Tube Compression Fitting, Natural PVDF (Kynar)				
M	1/2" Male NPT Fitting, Natural PVDF (Kynar)				
B	1/2" Hose Barb, Natural PVDF (Kynar), available for ND, NEE, NGG, NKL and G2G only				
C	1/2" - 3/4" Tri-clamp connections, Natural PVDF (Kynar), available for ND, NEE, NGG, NKL and G2G only				
Q	Quick Disconnect, Natural PVDF (Kynar), available for ND, NEE, NGG, NKL, and G2G only (valves sold separately)				
MB	1/2" Male BSPT Fitting, Natural PVDF (Kynar)				
Pump Tube Material, Pump Tube Size					
ND	Flex-A-Prene® .075 ID	NKL	Flex-A-Prene® .375 ID	G2G	Flex-A-Thane® .187 ID (dual tube)
NEE	Flex-A-Prene® .093 ID	GE	Flex-A-Thane® .125 ID	TH	Flex-A-Chem® .250 ID
NGG	Flex-A-Prene® .187 ID	GG	Flex-A-Thane® .187 ID	TK	Flex-A-Chem® .375 ID
NHL	Flex-A-Prene® .250 ID	GH	Flex-A-Thane® .312 ID		
NK	Flex-A-Prene® .375 ID	GK	Flex-A-Thane® .375 ID		
A3	-	S	ND	-	T Sample Model Number

Output Specifications

Tube Material / Size	Feed Rate			Max Speed	Max Pressure	Max Temperature
	GPH	LPH	mL/Min	RPM	PSI (bar)	°F (°C)
Flex-A-Thane® Tube						
GE	Up to 4.60	Up to 17.4	Up to 290	125	65 (4.5)	130 (54)
GG	Up to 10.1	Up to 38.4	Up to 637	125	65 (4.5)	130 (54)
G2G	Up to 18.23	Up to 69.0	Up to 1150	125	65 (4.5)	130 (54)
GH	Up to 24.9	Up to 94.2	Up to 1570	125	65 (4.5)	130 (54)
GK	Up to 28.5	Up to 108	Up to 1800	125	65 (4.5)	130 (54)
Flex-A-Prene® Tube						
ND	Up to 2.10	Up to 7.92	Up to 132	125	125 (8.6)	185 (85)
NHL	Up to 17.4	Up to 65.8	Up to 1097	125	65 (4.5)	185 (85)
NK	Up to 33.3	Up to 126	Up to 2100	125	125 (8.6)	185 (85)
NKL	Up to 33.3	Up to 126	Up to 2100	125	30 (2.1)	185 (85)
NEE	Up to 4.76	Up to 18.0	Up to 300	125	110 (7.6)	185 (85)
NGG	Up to 19.0	Up to 72.0	Up to 1200	125	110 (7.6)	185 (85)
Flex-A-Chem® Tube						
TH	Up to 15.1	Up to 57.0	Up to 950	125	50 (3.4)	130 (54)
TK	Up to 28.5	Up to 108	Up to 1800	125	50 (3.4)	130 (54)

M4 Replacement Parts

1	Spacer	90011-217	2
2	Complete Roller Assembly		1
	NL / NP	A4-MNL-R	
	TH / TK / TTK / THH	A4-MTH-R	
	NH / NK / NHH / NHL / NHHL	A4-MNH-R	
	NKL / NKKL	A4-MNKL-R	
	GH / GK / GKK	A4-MGH-R	
3	Tubing (Reference Tubing Matrix)		1
4	Pump Head Cover	A4-SXX-C	1
5	Thumb Screws	90011-183	8
6	Shaft Extension	90007-128	1

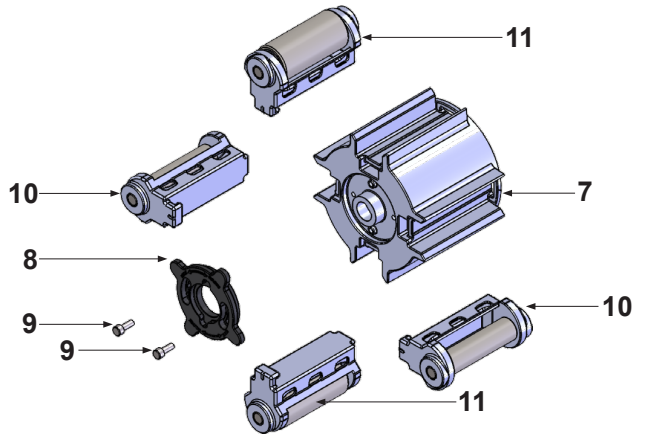


*Pump Head not for sale. For more information please contact a local sales representative.

Roller Assembly Parts

	Part No.	QTY Req'd	
7	A4 ROTOR BODY*	N/A	1
8	SPIDER RING*	76002-038	1
9	10-32 CAPTIVE SCREW*	90011-341	2
	*A4 ROTOR ASSY (7,8, and 9)	A4-SXX-RB	1
10	ARM ROLLER GUIDE	71010-771	2
11	ARM ROLLER		
	NL / NP	71010-766	2
	TH / TK / TKL / THH	71010-767	2
	NH / NK / NHH / NHL / NHHL	71010-768	2
	NKL / NKKL	71010-769	2
	GH / GHH / GK /GKK	71010-770	2

*Available as part of Rotor Assy A4-SXX-RB



Quick Disconnect Fittings*

	Part No.	QTY Req'd
12	Quick Disconnect Fittings	1
	.50" M/NPT FKM	KIT-QMV
	.50" M/NPT EP	KIT-QME
	.50" M/NPT Aflas	KIT-QMA
	.50" Barb FKM	KIT-QBV
	.50" Barb EP	KIT-QBE
	.50" Barb Aflas	KIT-QBA

*For use only with "Q" style pump tubes



12

Miscellaneous Parts*

	Part No.	QTY Req'd	
A	Stainless Steel Mounting Bracket	72000-379	1
B	Stainless Steel Mounting Bracket (Extended)	72000-380	1
C	Rubber Feet	90003-561	1

*Sold Separately



A



B



C

FLEXFLO® Tube Assembly Part Number

A4 Tubing (for use on A4, A4S, M4, M4S pumps)

Inlet/Outlet Connection Size, Connection Type, Connection Material

M	1/2" Male NPT Fitting, Natural PVDF (Kynar)
B	1/2" ID Tubing Barb Fitting, Natural PVDF (Kynar)
Q	Quick Disconnect, Natural PVDF (Kynar). NP flow rate reduced 16.5% with Quick Disconnect connections (Valves sold separately)
C	1/2" - 3/4" Tri-clamp connections, Natural PVDF (Kynar)
MB	1/2" Male BSPT Fitting, Natural PVDF (Kynar)

Pump Tube Material, Pump Tube Size

GH	Flex-A-Thane® .312 ID	NHHL	Flex-A-Prene® .250 ID (Dual Tube)
GHH	Flex-A-Thane® .312 ID (Dual Tube)	NK	Flex-A-Prene® .375 ID
GK	Flex-A-Thane® .375 ID	NL	Flex-A-Prene® .500 ID
GKK	Flex-A-Thane® .375 ID (Dual Tube)	NP	Flex-A-Prene® .750 ID
NH	Flex-A-Prene® .250 ID	TH	Flex-A-Chem® .250 ID
NHL	Flex-A-Prene® .250 ID	TK	Flex-A-Chem® .375 ID
NHH	Flex-A-Prene® .250 ID (Dual Tube)	TKK	Flex-A-Chem® .375 ID (Dual Tube)

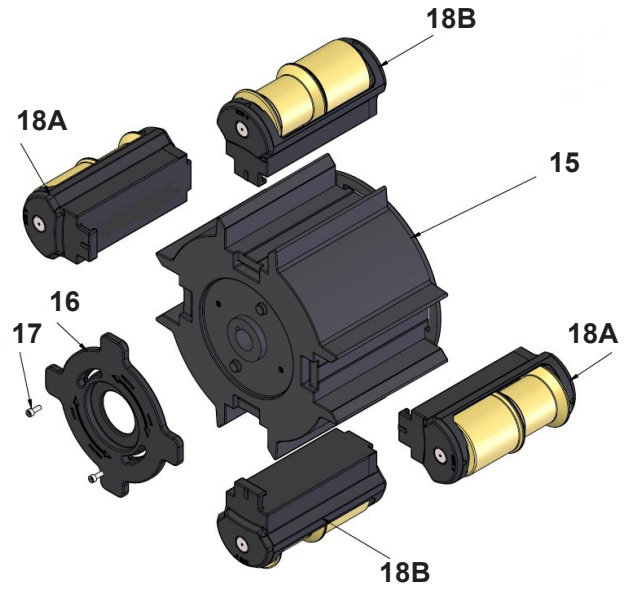
A4 - **M** **NH** - **T** **Tube Sample Model Number**

Output Specifications

Tube Material / Size	Feed Rate			Max Speed	Max Pressure	Max Temperature
	GPH	LPH	mL/Min	RPM	PSI (bar)	°F (°C)
Flex-A-Thane® Tube						
GH	Up to 39.6	Up to 150	Up to 2500	125	65 (4.5)	130 (54)
GHH	Up to 71.0	Up to 268	Up to 4479	125	65 (4.5)	130 (54)
GK	Up to 55.5	Up to 210	Up to 3500	125	65 (4.5)	130 (54)
GKK	Up to 100	Up to 378	Up to 6300	125	65 (4.5)	130 (54)
Flex-A-Prene® Tube						
NH	Up to 28.5	Up to 108	Up to 1800	125	125 (8.6)	185 (85)
NHL	Up to 28.5	Up to 108	Up to 1800	125	65 (4.5)	185 (85)
NHH	Up to 54.0	Up to 204	Up to 3400	125	100 (6.9)	185 (85)
NHHL	Up to 54.0	Up to 204	Up to 3400	125	65 (4.5)	185 (85)
NK	Up to 50.7	Up to 192	Up to 3200	125	80 (5.5)	185 (85)
NL	Up to 100	Up to 378	Up to 6300	125	50 (3.4)	185 (85)
NP	Up to 158.5	Up to 600	Up to 10000	125	30 (2.1)	185 (85)
Flex-A-Chem® Tube						
TH	Up to 25.4	Up to 96	Up to 1603	125	30 (2.1)	130 (54)
TK	Up to 54.0	Up to 204	Up to 3400	125	30 (2.1)	130 (54)
TKK	Up to 126	Up to 477	Up to 8000	125	30 (2.1)	130 (54)

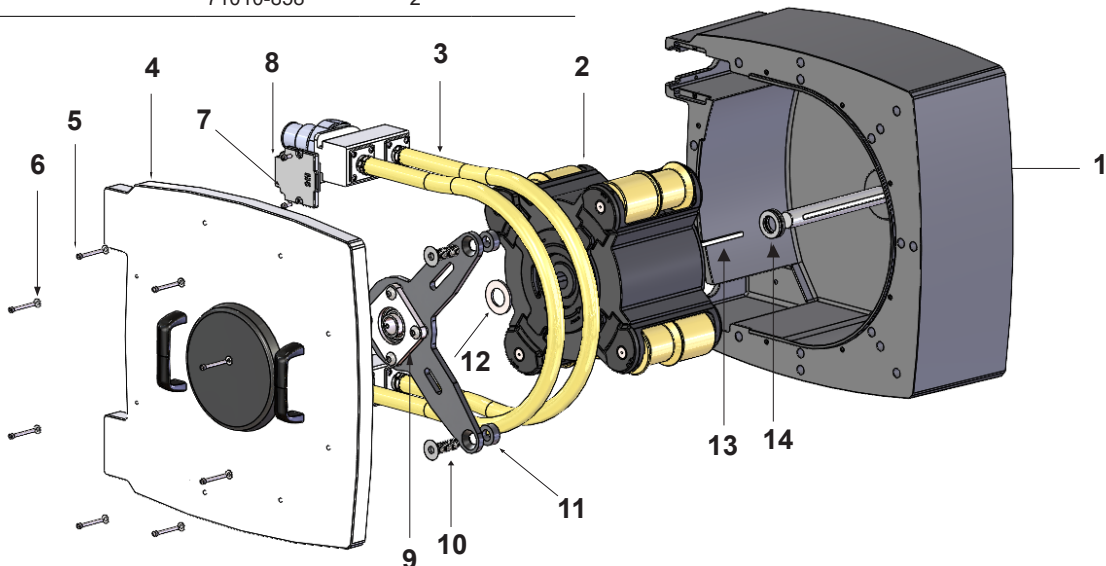
M5 Replacement Parts

Pump Head Components		Part No.	QTY Req'd	Price Per
1	Pump Head	Contact Factory	1	N/A
2	Complete Roller Assembly		1	
	NPP	A5-MNPP-R		
	NLL	A5-MNLL-R		
	NHHL	A5-MNHHL-R		
	GKK	A5-MGKK-R		
3	Tubing (Reference Tubing Matrix)		1	
4	Pump Head Cover	A5-SXX-C	1	
5	Screw, Cover	90011-149	8	
6	Washer, Cover	90011-094	8	
7	Tube Adapter Cover	76002-102	2	
8	Screw	90011-150	2	
9	"V" Bracket Bearing Assy	71010-947	1	
10	Screw, "V" Bracket	90011-303	2	
11	Spacer, "V" Bracket	90007-686	2	
12	Washer	90011-320	2	
13	Key Motor	76010-101	1	
14	Washer/Bearing Assy	90004-027	1	



Roller Body Assembly

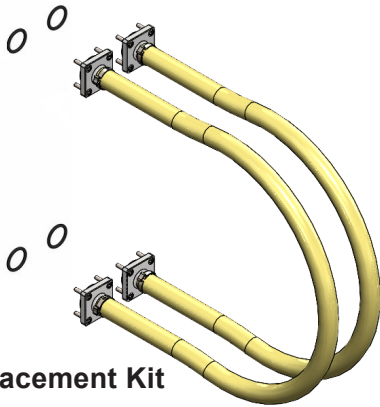
Roller Assembly Parts		Part No.	QTY Req'd	Price Per
15	A5 ROTOR BODY	76010-061	1	
16	SPIDER RING	76002-077	1	
17	SPIDER SCREW	90011-341	2	
18	ARM ROLLER			
	NPP Side A	71010-853	2	
	NPP Side B	71010-854	2	
	NLL Side A	71010-859	2	
	NLL Side B	71010-860	2	
	NHHL Side A	71010-855	2	
	NHHL Side B	71010-856	2	
	GKK Side A	71010-857	2	
	GKK Side B	71010-858	2	



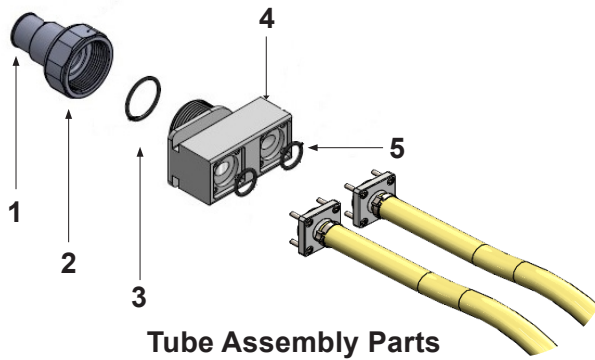
Pump Head Detail

FLEXFLO® Tube Assembly Number

A5	Tubing (for use on A5 and M5 pumps)
Inlet/Outlet Connection Size, Connection Type, Connection Material	
M	1.5" Male NPT Fitting, Polypropylene
B	1.5" ID Tubing Barb Fitting, Polypropylene
Pump Tube Material, Pump Tube Size	
NPP	Flex-A-Prene® .750 ID (Dual Tube)
NLL	Flex-A-Prene® .500 ID (Dual Tube)
NHHL	Flex-A-Prene® .250 ID (Dual Tube)
GKK	Flex-A-Thane® .375 ID (Dual Tube)
O-Ring Options	
V	Aflas
E	EPDM
A5 - M NPP - T V	Tube Sample Model Number (Complete tube assembly with tubes, adapter body, and fittings.)



Tube Replacement Kit



Tube Assembly Parts

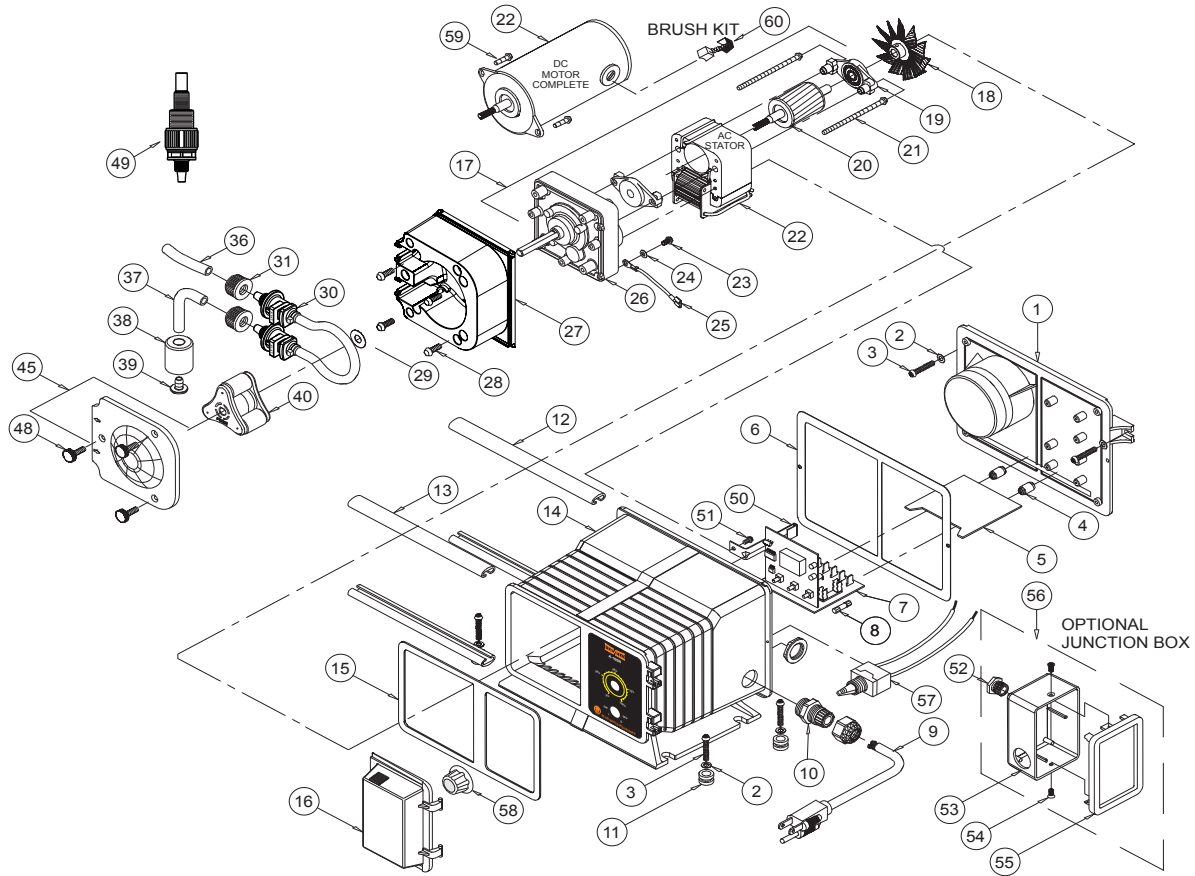
Tube Replacement Kits (includes 2 assembled tubes with clamps and barb, O-rings, and screws.)

A5-XNPP-TV	NPP Tubes, Aflas O-Rings
A5-XNPP-TE	NPP Tubes, EP O-Rings
A5-XNLL-TV	NLL Tubes, Aflas O-Rings
A5-XNLL-TE	NLL Tubes, EP O-Rings
A5-XNHHL-TV	NHHL Tubes, Aflas O-Rings
A5-XNHHL-TE	NHHL Tubes, EP O-Rings
A5-XGKK-TV	GKK Tubes, Aflas O-Rings
A5-XGKK-TE	GKK Tubes, EP O-Rings

Tube Assembly Parts

1	76010-064	1.5" M/NPT Fitting (2 req.)
	76010-065	1.5" Barb Fitting (2 req.)
2	76010-066	5 Series Union Nut (2 req.)
3	90003-640	O-Ring, Aflas (2 req.)
	90003-641	O-Ring, EP (2 req.)
4	76010-067	Adapter Body (2 req.)
5	90003-642	O-Ring, Aflas (4 req.)
	90003-645	O-Ring, EP (4 req.)

A-100N Replacement Parts



Item	Part No.	Product Name	Qty. Req.
1	71000-214	Enclosure Back With Gasket,	1
2	90011-094	Washer, #10 Stainless	2
3	90011-091	Screw, #10 X 1.0" Phillips Steel	4
6	90006-580	Gasket, Back Plate, Neoprene	1
7	A-023N-B	Percent timer (60 Sec), A-100NA	1
	A-023N-H	Percent timer (5 Sec), A-100NC	1
	C-1817N-1	Speed Cntrl, A-100NF, 115V60	1
	C-1817N-4	Speed Cntrl, A-100NF, 220V50	1
	C-1817N-5	Speed Cntrl, A-100NF, 230V60	1

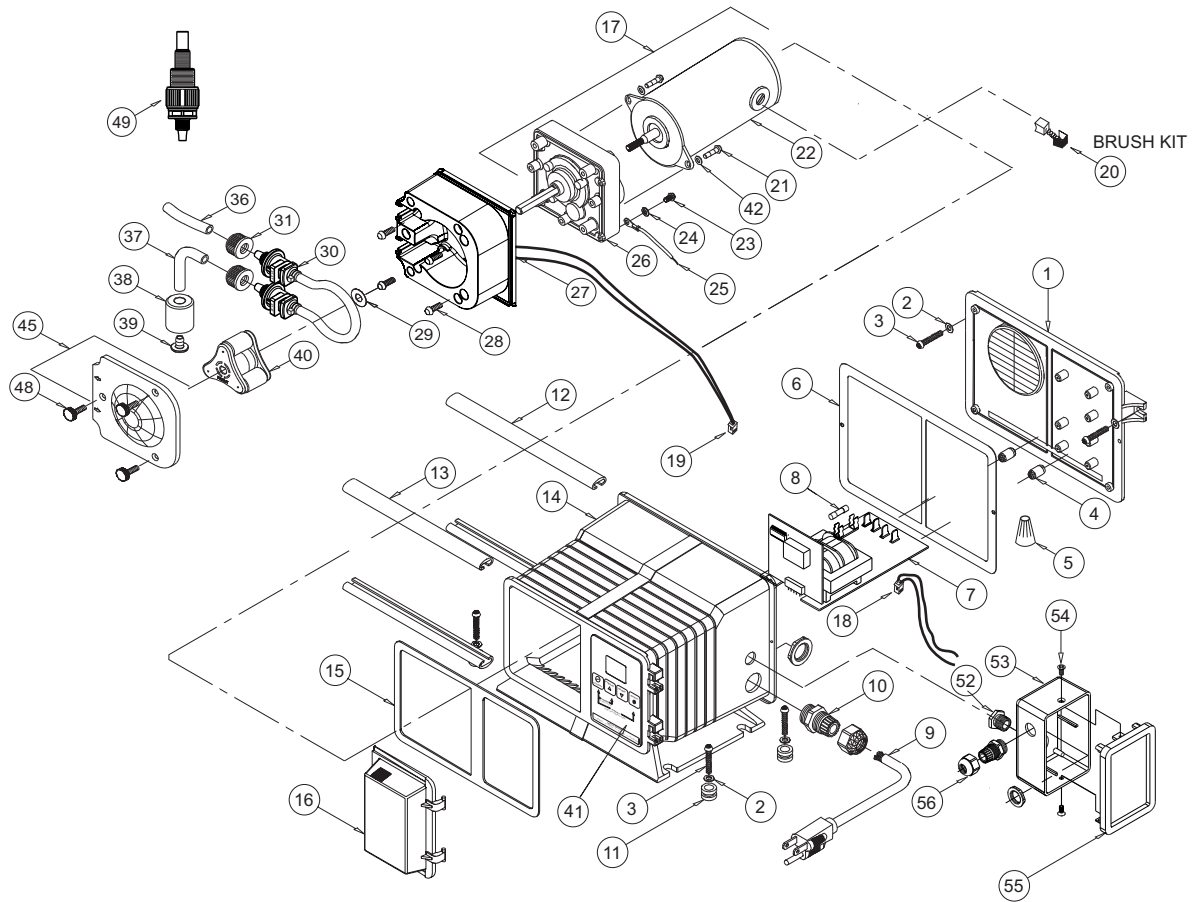
Item	Part No.	Product Name	Qty. Req.
9	90010-110	Power Cord, 115v60hz,	1
	90010-196	Power Cord, 220v50hz,	1
	90010-133	Power Cord, 230v60hz,	1
10	A-033N	Cord Inlet Bushing	1
11	90003-559	Mounting Feet, Rubber	4
12	76001-000	Slide Clamp, Enclosure Rear	1
13	76000-999	Slide Clamp, Enclosure Front	1
14	71000-187	Enclosure Model C,F w/cord	1
	71000-188	Enclosure Model X w/cord	1
	71000-494	Enclosure Model V w/J-Box	1
15	90006-579	Gasket, Enclosure Front, Neoprene	1
16	90002-191	Door, Electronic Controls Cover	1
17	70002-146	Gearmotor, 14 Rpm, 115v60hz	1
	70002-147	Gearmotor, 30 Rpm, 115v60hz	1

A-100N Replacement Parts

Item	Part No.	Product Name	Qty. Req.
	70002-156	Gearmotor, 45 Rpm, 115v60hz	1
	70002-159	Gearmotor, 60 Rpm, 115v60hz	1
	70002-148	Gearmotor, 14 Rpm, 220v50hz	1
	70002-149	Gearmotor, 30 Rpm, 220v50hz	1
	70002-157	Gearmotor, 45 Rpm, 220v50hz	1
	70002-160	Gearmotor, 60 Rpm, 220v50hz	1
	70002-150	Gearmotor, 14 Rpm, 230v60hz	1
	70002-151	Gearmotor, 30 Rpm, 230v60hz	1
	70002-158	Gearmotor, 45 Rpm, 230v60hz	1
	70002-161	Gearmotor, 60 Rpm, 230v60hz	1
	70002-241	G/motor, V/S 14Rpm, 90VDC	1
	70002-242	G/motor, V/S 30Rpm, 90VDC	1
	70002-243	G/motor, V/S 45Rpm, 90VDC	1
	70002-244	G/motor, V/S 60Rpm, 90VDC	1
18	90006-581	Fan, Motor, 2.25" Diameter	1
19	C-612PB	Bearing Bracket With Bearing	2
20	C-616PN	Rotor 14, 30RPM With Spacers	1
	C-616PN-32	Rotor 45, 60RPM With Spacers	1
21	C-625	Screw, Motor, 14, 30RPM Phil	2
	C-621-32	Screw, Motor, 45, 60RPM Phil	2
22	71000-211	Stator 14/30RPM, 115v Blu/Yel	1
	71000-213	Stator 14/30RPM, 220v Brn/yel	1
	71000-212	Stator 14/30RPM, 230v Red/Yel	1
	71000-466	Stator 45/60RPM, 115v Blu/Yel	1
	71000-467	Stator 45/60RPM, 220v Brn/yel	1
	71000-468	Stator 45/60RPM, 230v Red/Yel	1
	90010-242	Motor, 90V DC, model "F"	1
24	90011-078	Washer, Ground Screw, #8 Star	1
25	90010-126	Wire, ground, Green	1
26	A-008-1	Gearbox, 14 Rpm	1
	A-008-2	Gearbox, 30 Rpm	1
	A-008-3	Gearbox, 45 Rpm	1
	A-008-4	Gearbox, 60 Rpm	1
27	76001-009	Pumphead, no TFD sensors	1
	71000-488	Pumphead, w/TFD sensors	1

Item	Part No.	Product Name	Qty. Req.
28	C-324N Screw	P/head, 10-32 X .50	4
29	A-031	Spacer, Rotor	1
30	A1-4T	Tube, A-100N S/A -4T Flex-A-Prene	1
	A1-6T	Tube, A-100N S/A -6T Norprene	1
	A1-7T	Tube, A-100N S/A -7T Norprene	1
	A1-8T	Tube, A-100N S/A -8T Flex-A-Chem	1
	A1-1T	Tube, A-100N S/A -1T Flex-A-Thane	1
	A1-2T	Tube, A-100N S/A -2T Flex-A-Thane	1
	A1-3T	Tube, A-100N S/A -3T Flex-A-Thane	1
31	C-330-6	Nut, Tube, .37 O.D. Tubing	1
36	C-335-6	Tubing, Outlet, .37 O.D.X5ft, Poly	1
37	C-334-6	Tubing, Inlet, .37 O.D.X5ft, Pvc	1
38	C-346	Weight, Inlet Tubing, Ceramic	1
39	C-342-6	Strainer, Inlet Tube, Polypro	1
40	71000-159	Roller, -4, -6 tubes (white rollers)	1
	71000-255	Roller, -5 Viton tube	1
	71000-350	Roller, -1, -2, -3, -7 tubes (black rollers)	1
45	A1-SXX-C	Cover, P/head With Bearing	1
48	90011-160	Screw, P/head Cover, 8-32 X .62	3
49	A-014N-6A	Inj Valve, .5-.25 Mpt X .37 O.D.	1
50	90006-583	Motor Clip, 14, 30RPM	1
	90006-601	Motor Clip, 45, 60RPM	1
51	90011-146	Screw, Motor Clip, 8-32 X .25	1
52	90007-515	Bushing, J-Box Connector, Alum.	1
53	76001-029	Junction Box, Valox	1
54	90011-129	Screw, 6-32 X .25 S Black	2
55	71000-133	Cover, J-Box w/Gasket & Label	1
56	70000-656	J-Box Assembly, Complete	1
N/S	90008-151	J-box Hole Plug .75 Dia Blk	1
57	A-022	Power Switch	1
N/S	A-030	Push button prime switch	1
58	A-032N	Knob, adjustment	1
59	90011-023	Screw, Motor, 8-32 x .50 Phill	2
60	C-1814N-2	Motor brush set, 90VDC motor	1

A-100NV Replacement Parts

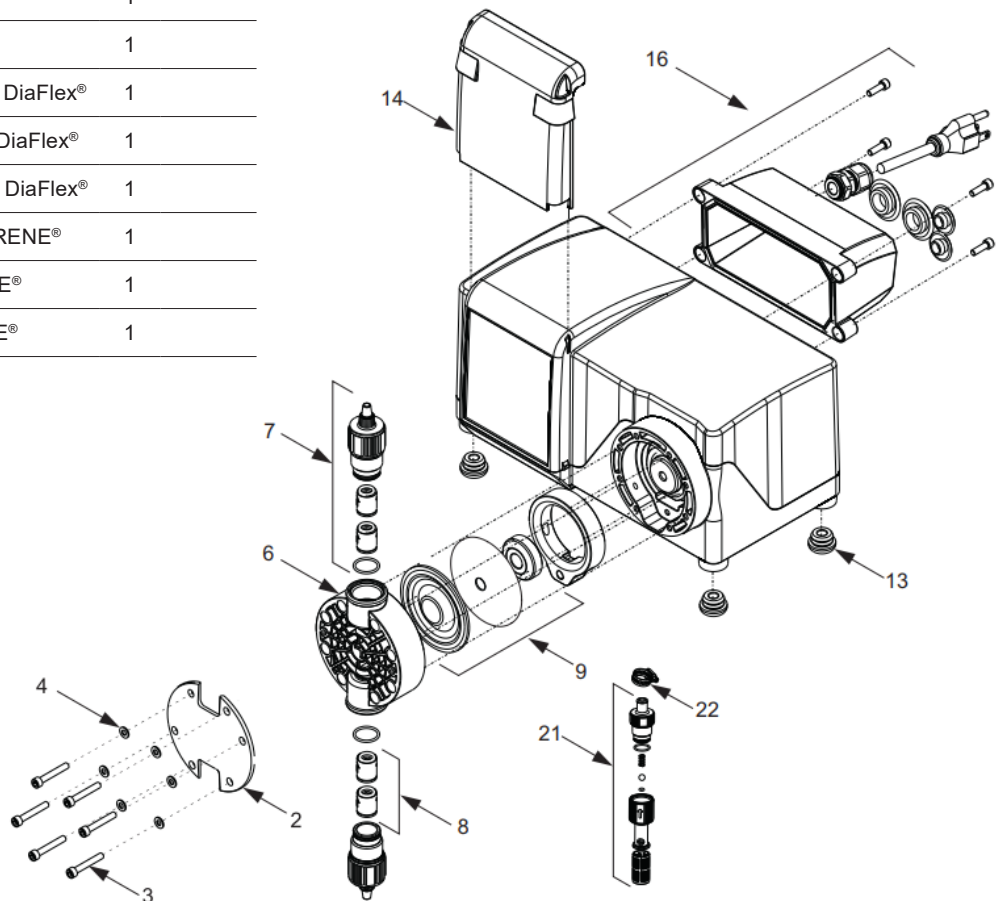


A-100NV Replacement Parts

Item	Part No.	Product Name	Qty. Req.	Item	Part No.	Product Name	Qty. Req.
1	71000-489	Enclosure Back Plate With Gasket, Valox	1	26	A-008-1	Gearbox, 14 Rpm	1
2	90011-094	Washer, Mounting, #10 Stainless	2		A-008-2	Gearbox, 30 Rpm	1
3	90011-091	Mounting Screw, #10 X 1.0" Phillips Steel	4		A-008-3	Gearbox, 45 Rpm	1
4	76001-001	Tubing Spacer A-100N digital	2		A-008-4	Gearbox, 60 Rpm	1
5	90010-036	Wire Nut, Blue	1		A-008-5	Gearbox, 125 Rpm	1
6	90006-580	Gasket, Enclosure Back Plate	1	27	71000-488	Pumphead, A-100N w/TFD sensors	1
7	A-023N-V-115	Circuit board A-100NV 115V	1	28	C-324N	Screw, Pumphead, 10-32 X .50 Phil Pan Black	4
	A-023N-V-230	Circuit board A-100NV 220V/230V	1	29	A-031	Spacer, Rotor	1
8	90010-235	Fuse, A-100NV Circuit Board, 1A 250VAC	1	30	A1-4T	Tube, A-100N S/A -4T Flex-A-Prene®	1
9	71000-175	Power Cord, 115v60hz, Digital Models	1		A1-6T	Tube, A-100N S/A -6T Flex-A-Prene®	1
	71000-176	Power Cord, 220v50hz, Digital Models	1		A1-7T	Tube, A-100N S/A -7T Flex-A-Prene®	1
	71000-177	Power Cord, 230v60hz, Digital Models	1		A1-8T	Tube, A-100N S/A -8T Flex-A-Chem®	1
10	70000-589	Cord Inlet Bushing	1		A1-1T	Tube, A-100N S/A -1T Flex-A-Thane®	1
11	90003-559	Mounting Feet, Rubber	4		A1-2T	Tube, A-100N S/A -2T Flex-A-Thane®	1
12	76001-000	Slide Clamp, Enclosure Rear	1		A1-3T	Tube, A-100N S/A -3T Flex-A-Thane®	1
13	76000-999	Slide Clamp, Enclosure Front	1	31	C-330-6	Nut, Tube Compression Type, .37 O.D. Tubing	2
14	71000-494	Enclosure A-100NV	1	36	C-335-6	Tubing, Outlet, .37 O.D. X 5ft, Polyethylene	1
15	90006-579	Gasket, Enclosure Front	1	37	C-334-6	Tubing, Inlet, .37 O.D. X 5ft, Clear PVC	1
16	90002-191	Door, Electronic Controls Cover	1	38	C-346	Weight, Inlet Tubing, Ceramic	1
17	70002-250	Gearmotor, 14 Rpm, 24V DC	1	39	C-342-6	Strainer, Inlet Tube, Polypropylene	1
	70002-251	Gearmotor, 30 Rpm, 24V DC	1	40	71000-159	Roller Assembly -4, -6 tubes	1
	70002-252	Gearmotor, 45 Rpm, 24V DC	1		71000-350	Roller Assembly -1, -2, -3, -7 tubes	1
	70002-253	Gearmotor, 60 Rpm, 24V DC	1	41	90012-245	Label, A-100NV front panel controls	1
18	90010-246	Wire set w/plug, Alarm relay	1	42	90011-074	Washer, #8 splitlock	2
19	90010-245	Wire set w/plug, TFD sensor	1	45	A1-SXX-C	Cover, Pumphead With Sleeve Bearing	1
N/S	90010-247	Wire set w/plug, input signals	1	48	90011-160	Screw, Pumphead Cover, 8-32 X .62 Cap	3
20	C-1814N-4	Motor Brush kit (2 ea), 24V DC	1	49	A-014N-6A	InjValve Assy, .5-.25 MPT X .37 OD Tube	
21	90011-023	Screw, Motor, 8-32 x .50	2	52	90007-515	Bushing, Junction Box Connector, Alum.	1
22	90010-244	Motor, 24V DC	1	53	76001-254	Junction Box A-100NV	1
23	90011-024	Screw, Green Ground, 8-32 x .25	1	54	90011-129	Screw, Cover, 6-32 X .25 Phil Pan SS Black	2
24	90011-078	Washer, Ground Screw, #8 Star	1	55	71000-133	Cover, Junction Box with Gasket and Label	1
25	90010-222	Wire, Motor ground, Digital Timers, Green	1	56	90008-199	Connector Liquid-tight	1

C2 Replacement Parts

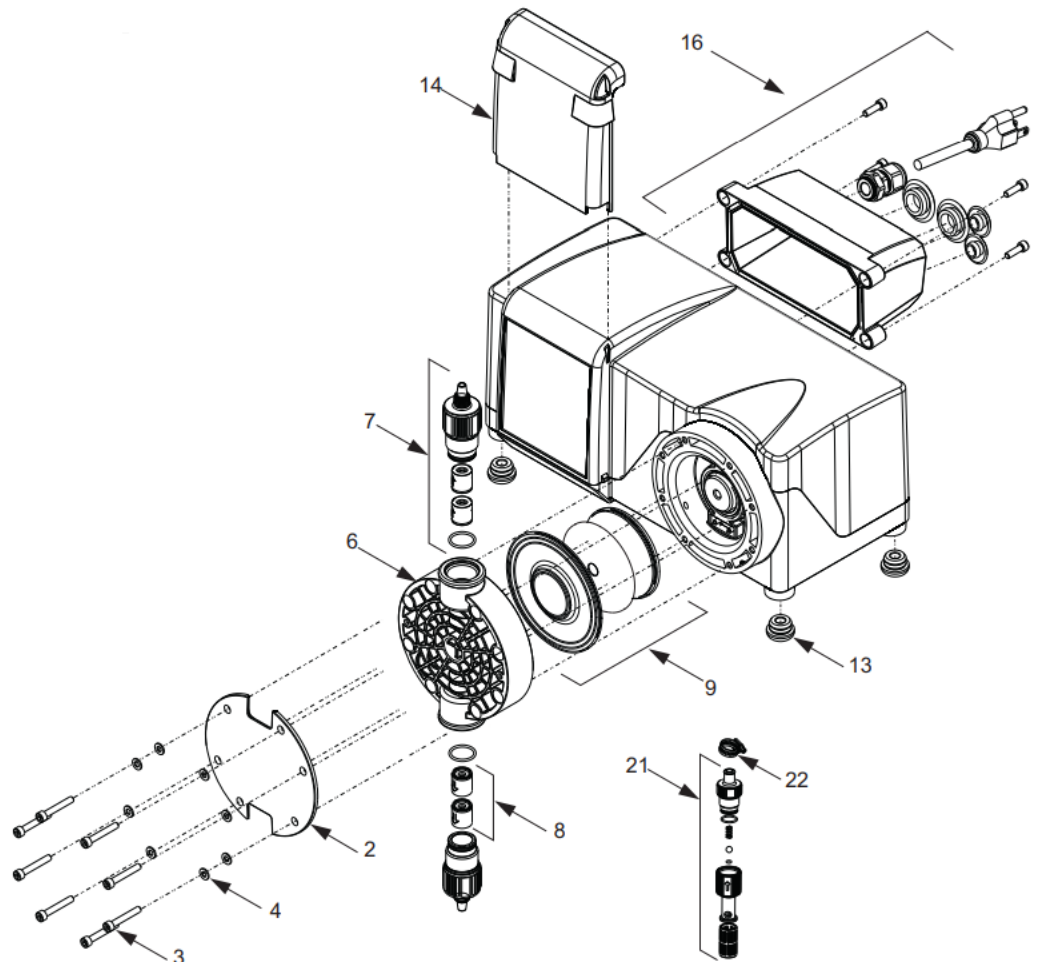
Item	Model No.	Product Name	Qty. Req.	Item	Model No.	Product Name	Qty. Req.
2	70004-541	COVER P/H C2	1	11	90001-173	P/HEAD LG. SPACER	1
3	90011-149	SCREW	8		90001-172	P/HEAD SM. SPACER	1
4	90011-094	Washer	8	13	90003-561	BUMPER FEET	4
6	90002-273	P/HEAD SM C2 PVDF	1	14	90002-326	UV LCD CVR PLYCRB	1
	90002-272	P/HEAD LG C2 PVDF	1	16	71010-027	J-BOX KIT W/ 115V	1
	71010-446	P/HEAD MICRO PVDF	1		71010-028	J-BOX KIT W/ 230V	1
7	70001-349	VALVE .5 M/NPT Aflas	2		71010-029	J-BOX KIT W/ 220V	1
	70001-350	VALVE .5 M/NPT EP	2	21	See Accessory Page for Foot Valve Options		
	70001-351	VALVE .5 F/NPT Aflas	2	22	90008-043	CLAMP SS .5"	1
	70001-352	VALVE .5 F/NPT EP	2	N/A	72000-378	BRUSH KIT MC2/MC3 90VDC MOTOR	1
	70001-347	VALVE .5 T-BARB Aflas	2				
	70001-348	VALVE .5 T-BARB EP	2				
	70001-372	VALVE .375 TUBE Aflas	2				
	70001-373	VALVE .375 TUBE EP	2				
8	20000-194	KIT 4 EA. VALVE Aflas	1				
	20000-195	KIT 4 EA. VALVE EP	1				
9	72000-551	MICRO DIAPHRAGM KIT - DiaFlex®	1				
	72000-296	SMALL DIAPHRAGM KIT -DiaFlex®	1				
	72000-297	LARGE DIAPHRAGM KIT - DiaFlex®	1				
	72000-606	MICRO DIA KIT FLEX-A-PRENE®	1				
	72000-607	SM DIA KIT FLEX-A-PRENE®	1				
	72000-605	LG DIA KIT FLEX-A-PRENE®	1				



C3 Replacement Parts

Item	Model No.	Product Name	Qty. Req.
2	70004-540	COVER P/H C3	1
3	90011-149	SCREW	8
4	90011-094	WASHER #10 P/H SS	8
6	90002-258	P/HEAD LG C3 PVDF	1
7	70001-349	VALVE .5 M/NPT Aflas	2
	70001-350	VALVE .5 M/NPT EP	2
	70001-351	VALVE .5 F/NPT Aflas	2
	70001-352	VALVE .5 F/NPT EP	2
	70001-347	VALVE .5 T-BARB Aflas	2
	70001-348	VALVE .5 T-BARB EP	2
8	20000-194	KIT 4 EA. VALVE Aflas	1
	20000-195	KIT 4 EA. VALVE EP	1
9	72000-295	DIAPHRAGM KIT C3 - DiaFlex®	1
	72000-604	DIAPHRAGM KIT FLEX-A-PRENE®	1

Item	Model No.	Product Name	Qty. Req.
13	90003-561	BUMPER FEET	4
14	90002-326	UV LCD CVR PLYCRB	1
16	71010-027	J-BOX KIT W/ 115V	1
	71010-028	J-BOX KIT W/ 220V	1
	71010-029	J-BOX KIT W/ 220V	1
21	See Accessory page for Foot Valve Options		
22	90008-043	CLAMP SS .5"	1
23	76001-361	TUBE SUCTION .5 D, 8' L	1
24	71000-579	INJECTION .5 BARB	1
	71000-577	INJECTION .5 M/NPT	1
N/A	72000-378	Brush Kit MC2/MC3 90VDC Motor	1



MD1 Replacement Parts

Item	Part No.	Product Name	Qty. Req.
1	90011-150	Screw 10-32 x .50 SOC Cap SS	4
3	90006-600	Back-Up Washer HD .100" Thick	2
4	71010-730	Manifold, PVDF	2
5	90002-707	Adapter Cart	4
6	70004-539	P/Head Cover CHEM-FEED®	2
7		Adapters	2 ----->
8	90002-712	Nut, Union, PVDF	2
10	90018-087	Standoff Threaded	2
11	71010-837	Cover, Front	1

Item	Part No.	Product Name	Qty. Req.
12	71010-926	Cartridge Bullet, PVDF, Aflas O-rings	6
	71010-928	Cartridge Bullet, PVDF, EP O-rings	6
13	71010-944	Cartridge Bullet De-Gas, PVDF, Aflas	1
	71010-945	Cartridge Bullet De-Gas, PVDF, EP	1
14	90003-581	O-Ring, Aflas	6
	90003-633	O-Ring, EP	6
15	90003-014	O-Ring, Aflas	4
	90003-600	O-Ring, EP	4
16	KIT-CDV**	Kit, Diaphragm DiaFlex®	1
	KIT-CDE**	Kit, Diaphragm Flex-A-Prene®	1
17	70004-096	Pump/HD HDN LG PVDF V Stamp	2
	70004-097	Pump/HD HDN LG PVDF E Stamp	2
21	90011-141	Screw 10-32 X 1.25 Pan Phil SS	8
N/S	C-330-6	Tube Nut, 1/4" x 3/8"	2
N/S	KIT-DVA1*	Cart. Valve Kit, De-Gas, Aflas	1
	KIT-DVE1*	Cart. Valve Kit, De-Gas, EP	1
	KIT-DKA1*	Cart. Valve Kit, De-Gas w/ standoffs, Aflas	1
	KIT-DKE1*	Cart. Valve Kit, De-Gas w/ standoffs, EP	1

* Includes Qty 6 Cart. Bullet and Qty 1 De-Gas Cart.

** Includes Qty 2 Diaphragms and Qty 2 Backing pieces

ELBOW & STRAIGHT ADAPTER KITS

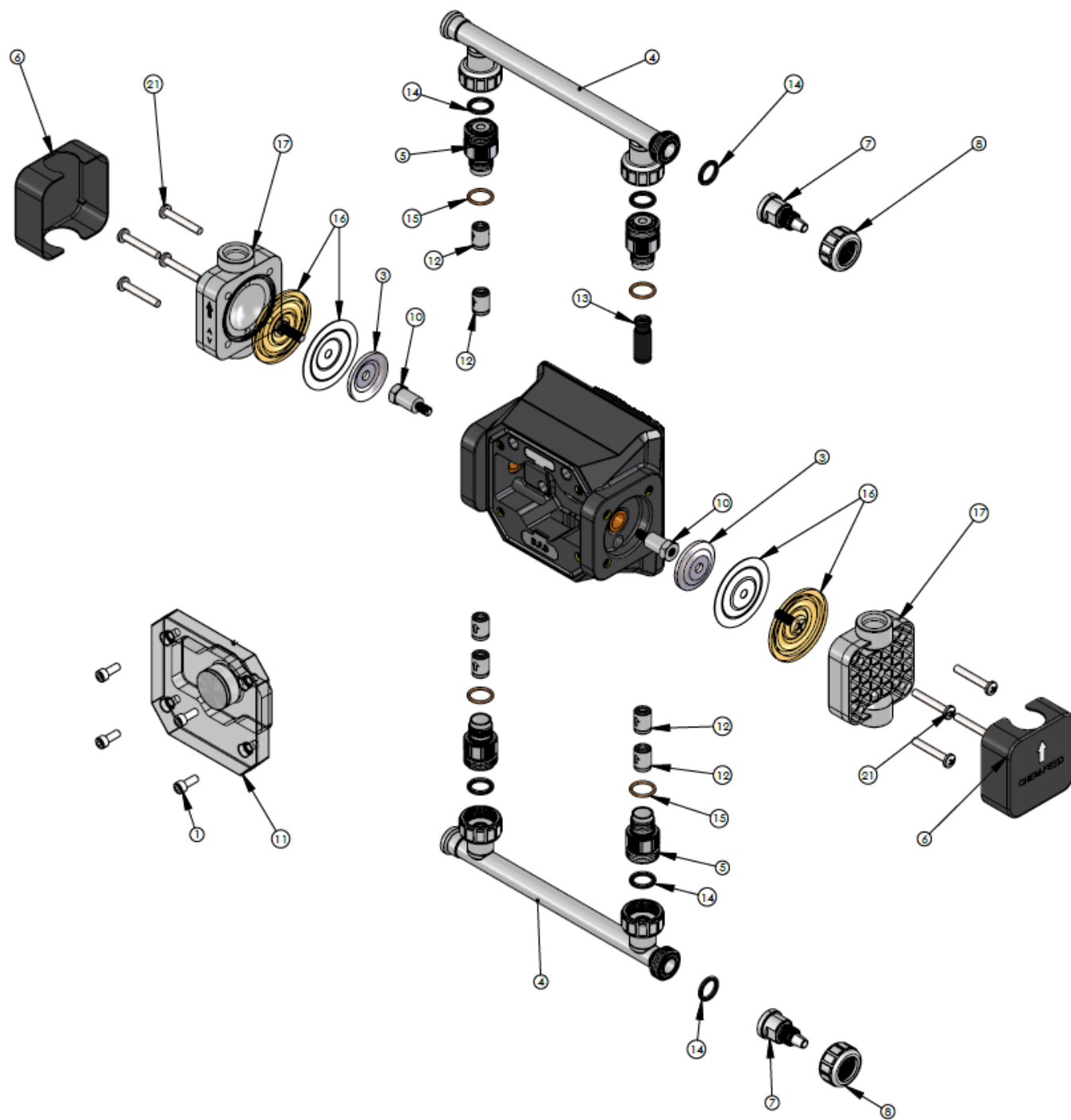
Kits include:

- (2) #7 adapters
- (2) #8 Union Nuts
- (2) #14 O-rings



- KIT-CA1SE Elbow Adapter Kit, 1/4" x 3/8" tubing comp., Aflas O-rings
- KIT-CE1SE Elbow Adapter Kit, 1/4" x 3/8" tubing comp., EP O-rings
- KIT-CA1ME Elbow Adapter Kit, 1/2" M/NPT fitting, Aflas O-rings
- KIT-CE1ME Elbow Adapter Kit, 1/2" M/NPT fitting, EP O-rings
- KIT-CA1BE Elbow Adapter Kit, 1/2" Hose Barb, Aflas O-rings
- KIT-CE1BE Elbow Adapter Kit, 1/2" Hose Barb, EP O-rings
- KIT-CA1S Straight Adapter Kit, 1/4" x 3/8" tubing comp., Aflas O-rings
- KIT-CE1S Straight Adapter Kit, 1/4" x 3/8" tubing comp., EP O-rings
- KIT-CA1M Straight Adapter Kit, 1/2" M/NPT fitting, Aflas O-rings
- KIT-CE1M Straight Adapter Kit, 1/2" M/NPT fitting, EP O-rings
- KIT-CA1B Straight Adapter Kit, 1/2" Hose Barb, Aflas O-rings
- KIT-CE1B Straight Adapter Kit, 1/2" Hose Barb, EP O-rings

MD1 Replacement Parts



MD3 Replacement Parts

Item	Model No.	Product Name	Qty. Req.
1	91001-301	NUT UNION CD3 MOLDED PVDF	6
2	91001-295	.50" BARB ADAPTER	2
	91001-296	.50" BARB ADAPTER ELBOW	2
	91001-288	.50" M/NPT ADAPTER ELBOW	2
	91001-287	.50" M/NPT ADAPTER	2
3	90003-577	O-RING 2-119 (AFLAS 75)	6
	90003-627	O-RING 2-119 (EP)	6
4	70001-504	MANIFOLD S/A PVDF (Aflas)	2
	70001-505	MANIFOLD S/A PVDF (EP)	2
6	90002-350	DRIVE HEAD INSERT	2
7	72000-583	KIT DIAPHRAGM DIAFLEX® MD3/CD3	2
	72000-601	KIT DIAPHRAGM FLEX-A-PRENE® MD3/CD3	2

Item	Model No.	Product Name	Qty. Req.
8	70001-500	CARTRIDGE VALVE KIT (TFE/P)	4
	70001-501	CARTRIDGE VALVE KIT (EP)	4
9	90002-272	PUMP HEAD	2
10	70004-541	PUMP HEAD FACE PLATE	2
11	90011-094	WASHER #10	16
13	90003-141	O-RING 2-018 (TFE/P)	4
	90003-610	O-RING 2-018 (EP)	4
14	90002-353	ADAPTER CART CD3	4
15	90008-651	MOUNTING BRACKET	2
16	90011-210	Screw 10-32 x 2.0 SOC HD	1
17	20000-226	Kit (8) Ball Check Cart., Aflas	1
	20000-227	Kit (8) Ball Check Cart., EP	1
	20000-229	Kit (4) Ball Check Cart., Aflas, PTFE Balls	2

Foot Valves, Injection Valves, and Spares Kits (Not Shown)

71000-575 Foot Valve, 1/2" Barb, PVDF Body, FKM O-ring

71000-576 Foot Valve, 1/2" Barb, PVDF Body, EP O-ring

71000-849 Foot Valve, 1/2" MNPT, PVDF Body, FKM O-ring

71000-850 Foot Valve, 1/2" MNPT, PVDF Body, EP O-ring

71000-579 Injection Valve, 1/2" Barb Tubing, FKM, PVDF body, 6 psi

71000-580 Injection Valve, 1/2" Barb Tubing, EP, PVDF body, 6 psi

71000-577 Injection Valve, 1/2" MNPT, FKM, PVDF body, 6 psi

71000-578 Injection Valve, 1/2" MNPT, EP, PVDF body, 6 psi

KIT-CA3ZD DiaFlex® Diaphragm / Ball Check(Aflas) Kit

Includes: (Qty 2) Item 7 - DiaFlex® Diaphragm, (Qty 1) Item 17 -Kit ball check cartridges, (Qty 6) Item 3 - Aflas O-ring, (Qty 4) Item 13 - Aflas O-ring

KIT-CE3ZD DiaFlex® Diaphragm / Ball Check(EP) Kit

Includes: (Qty 2) Item 7 - DiaFlex® Diaphragm, (Qty 1) Item 17 -Kit ball check cartridges, (Qty 6) Item 3 - EP O-ring, (Qty 4) Item 13 - EP O-ring

KIT-CE3ZF Flex-A-Prene® Diaphragm / Ball Check(EP) Kit

Includes: (Qty 2) Item 7 - Flex-A-Prene® Diaphragm, (Qty 1) Item 17 -Kit ball check cartridges, (Qty 6) Item 3 - EP O-ring, (Qty 4) Item 13 - EP O-ring

FITTINGS KITS

KIT-CA3X - KIT MD3 1/2" M/NPT Elbow Fitting & Foot Valve Aflas

KIT-CA3M - KIT MD3 1/2" M/NPT Straight Fittings & Foot Valve Aflas

KIT-CA3B - KIT MD3 1/2" BARB Straight Fittings & Foot Valve Aflas

KIT-CA3C - KIT MD3 1/2" BARB Elbow Fittings & Foot Valve Aflas

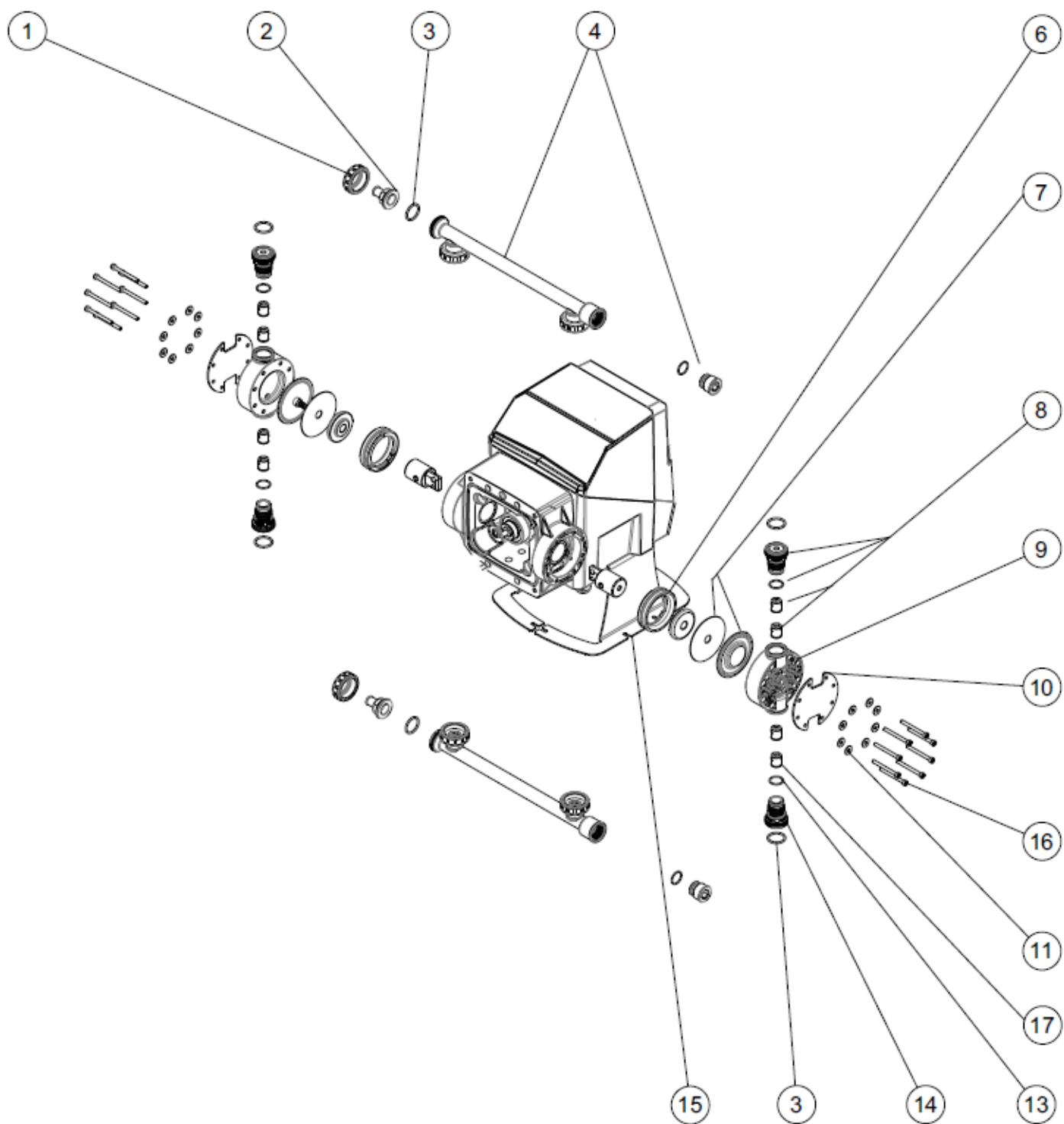
KIT-CE3X - KIT MD3 1/2" M/NPT Elbow Fitting & Foot Valve EPDM

KIT-CE3M - KIT MD3 1/2" M/NPT Straight Fitting & Foot Valve EPDM

KIT-CE3B - KIT MD3 1/2" BARB Straight Fitting & Foot Valve EPDM

KIT-CE3C - KIT MD3 1/2" BARB Elbow Fitting & Foot Valve EPDM

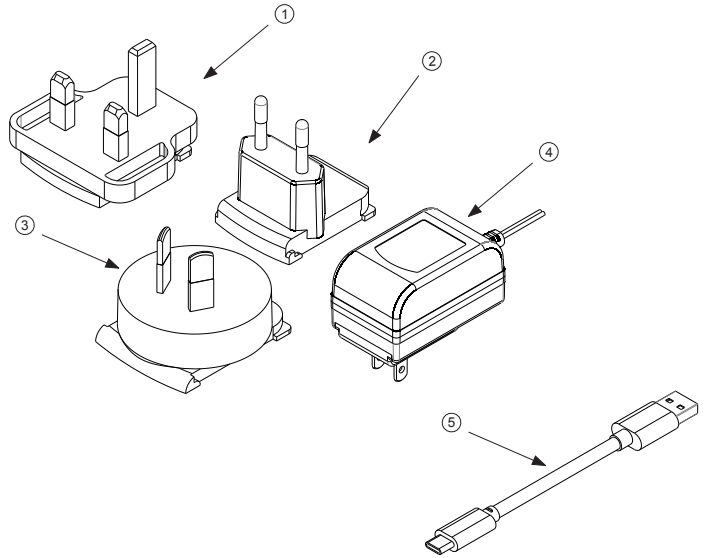




MS6 Replacement Parts

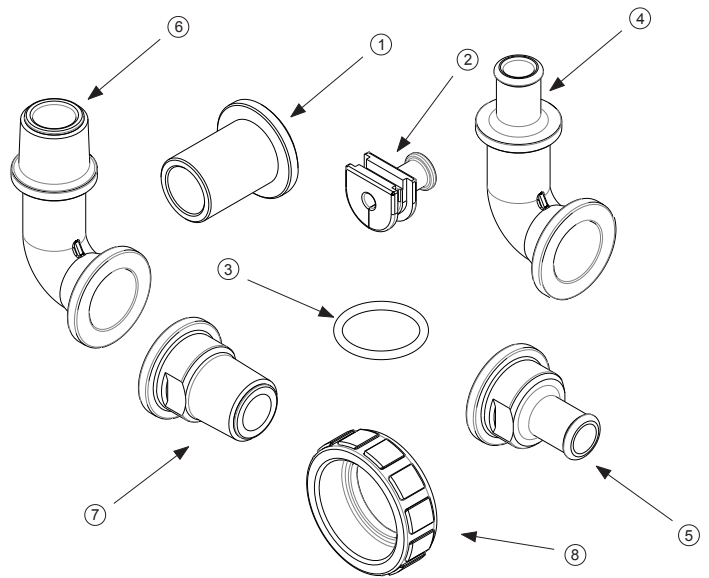
MS6 Power Supply Kit 72000-594

Item	Model No.	Product Name	Qty. Req.
1	90008-723	U.K. Blade Power Supply	1
2	90008-513	Europe Blade Power Supply	1
3	90008-724	Australian Blade Power Supply	1
4	90008-743	Power Supply 120AC/5VDC 2000MA	1
5	90010-597	USB A-C Cable	1



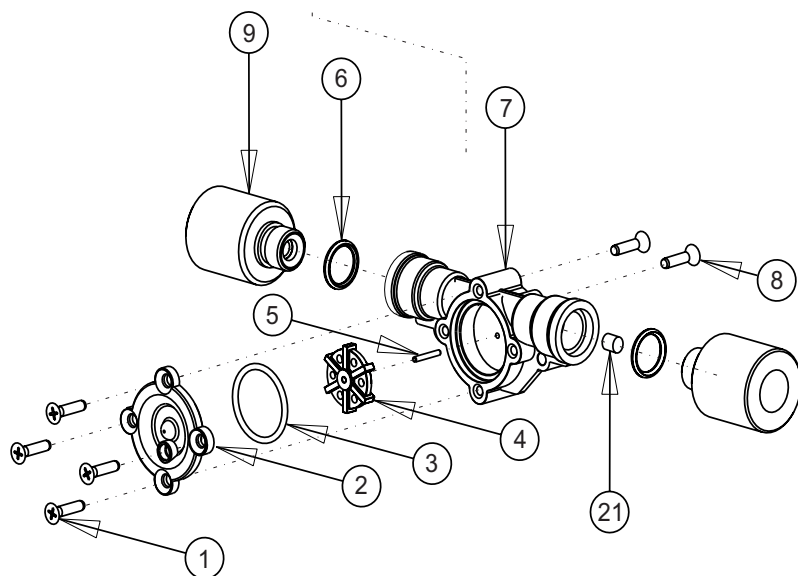
MS6 Adapter Kit 72000-588(Aflas), 72000-647 (EP)

Item	Model No.	Product Name	Qty. Req.
1	76001-855	Adapter PVC	2
2	90003-565	Cable Gland	2
3	90003-577	O-Ring 2-119 AFLAS	2
3	90003-627	O-Ring 2-119 EP	2
4	91001-296	Adapter Elbow, .50 MNPT	2
5	91001-295	.50" Barb Adapter	2
6	91001-288	Adapter Elbow SM .50 M/NPT	2
7	91001-287	Adapter, SM.50 M/NPT	2
8	91001-301	Nut Union Molded PVDF	2

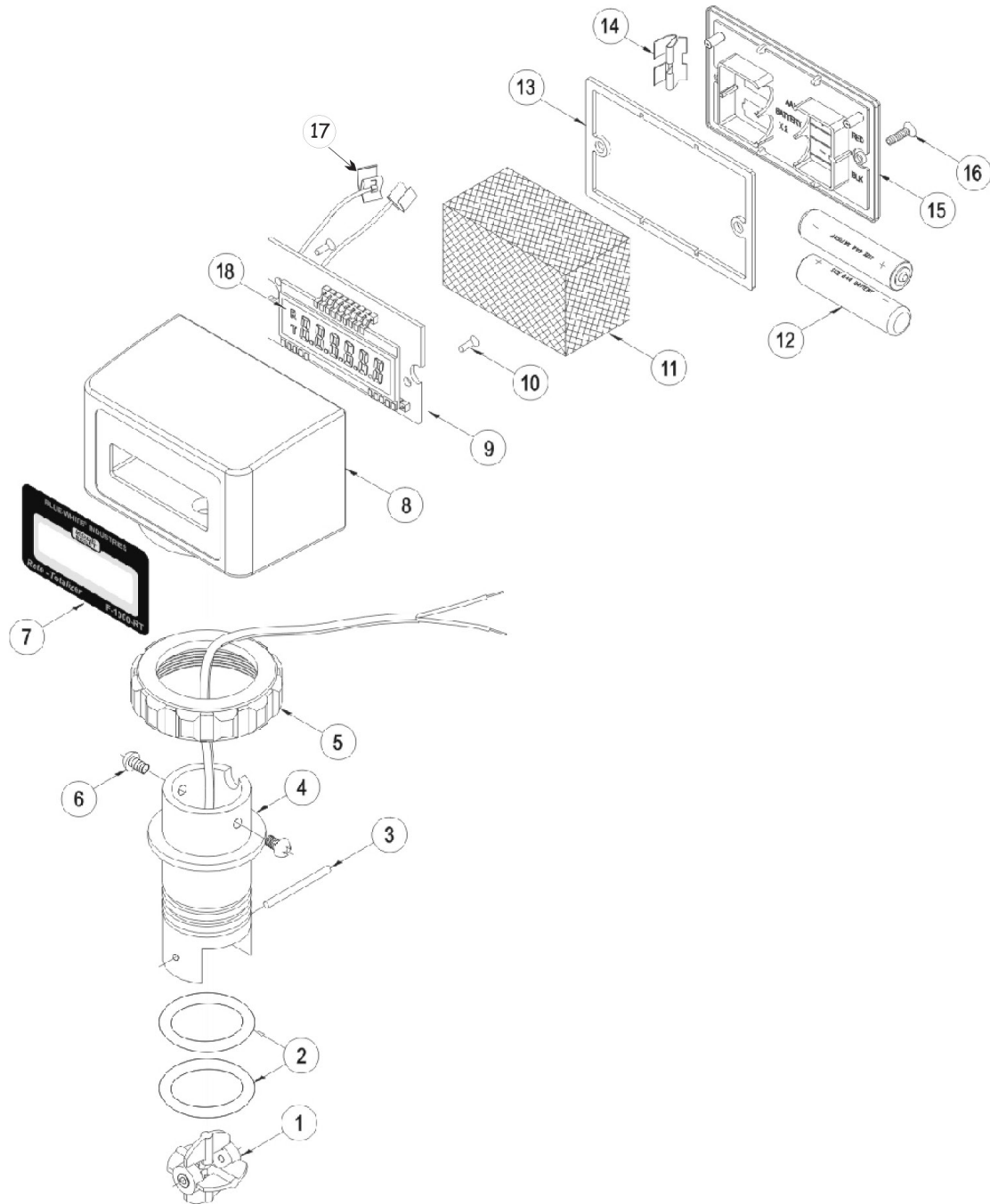


MICRO-FLO Replacement Parts

Item	Model No.	Product Name	Qty. Req.
1	90011-190	Screw 6-32 x .50 Phil Flt SS	4
2	90002-228	Lens Cap Opaque PVDF	1
3	90003-143	O-Ring FKM	1
	90003-146	O-Ring EP	1
4	90002-229	Paddle PVDF	1
5	90007-592	Axle PVDF	1
6	90003-012	O-Ring FKM	2
	C-502EB	O-Ring EP	2
7	76001-705	Body S1 PVDF (30-300ml/min)	1
	76001-301	Body S2 PVDF (100-1000ml/min)	1
	76001-302	Body S3 PVDF (200-2000ml/min)	1
	76001-706	Body S4 PVDF (300-3000ml/min)	1
	76001-304	Body S5 PVDF (500-5000ml/min)	1
	76001-305	Body S6 PVDF (700-7000ml/min)	1
8	90011-178	Screw #4 x .50 Phil Blk	2
9	76000-137	Adapter .250" F/NPT PVC	2
	76000-456	Adapter .125" F/NPT PVC	2
	90002-038	Adapter .375" OD Tubing Connection, PVDF	2
	90002-042	Adapter .250" OD Tubing Connection, PVDF	2
	76001-360	Adapter .500" ID Hose Barb, PVC	2
	76001-359	Adapter .500 F/NPT, PVC	2
	76001-358	Adapter .500 M/NPT, PVC	2



F-1000 Replacement Parts



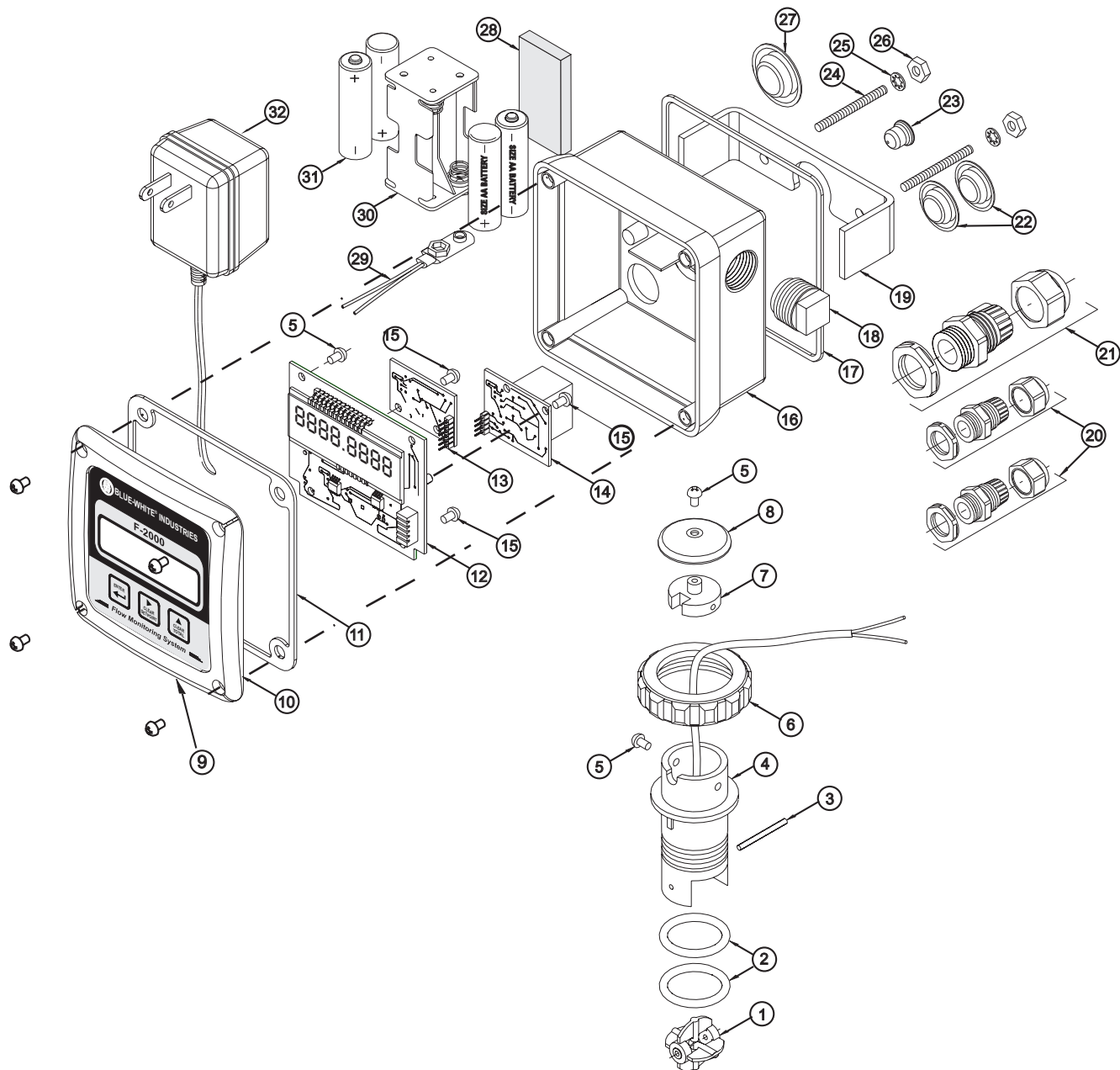
F-1000 Replacement Parts

Item	Model No.	Product Name	Qty. Req.
1	70000-783	Paddle assembly PVDF (Includes Axle)	1
2	F-4410V	O-ring 022 Viton E60	2
	F-4410E	O-ring 022 EP	2
3	90007-589	Axle PVDF	1
	90007-567	Axle Hastelloy	1
4	71000-238	Sensor body assembly F-100 no paddle	1
5	91001-280	Union Nut	1
	90011-080	Screw #6 x .37 PH Pan B 18/8	2
7	90012-198	Label F-1000-RB GPM	1
	90012-199	Label F-1000-RB GPH	1
	90012-200	Label F-1000-RB LPM	1
	90012-201	Label F-1000-RB LPH	1
	90012-202	Label F-1000-RB M3H	1
	90012-221	Label F-1000-TB overlay	1
	90012-222	Label F-1000-RT overlay	1

Item	Model No.	Product Name	Qty. Req.
8	76001-187	Housing F-1000	1
	RBC-pipe-units	Circuit board for model RB. Must specify pipe	1
	TBC-pipe-units	Circuit board for model TB. Must specify pipe	1
	RTC-pipe-units	Circuit board for model RT. Must specify pipe	1
	90011-169	Screw #4 .25 Phil Pan "A"	1
	90013-260	Foam pad 1.25 x 1.25 x 2.25	1
	90008-318	Battery each AAA	2
13	90006-590	Gasket F-1000	1
14	90008-319	Battery clip F-1000	1
15	90002-203	Rear plate F-1000	1
16	90011-113	Screw #4 .50 Phil oval "A"	2
17	90010-241	Battery Connector	1
N/S	F-900K	Service Removal Plug	

Note: See page 143 for Pipe Kits

F-2000 Replacement Parts



F-2000 Replacement Parts

Item	Model No.	Product Name	Qty. Req.
1	70000-783	Paddle Assembly PVDF	1
2	F-4410V	O-Ring 022 Viton E60	2
	F-4410E	O-Ring 022 EP	2
3	90007-589	Axle PVDF	1
	90007-567	Axle Hastelloy	1
4	71000-238	Sensor Body Ac Coil 1' Cable	1
	71000-285	Sensor Body Ac Coil 25' Cable	1
	70000-806	Sensor Body Hall Effect 25' Cable	1
5	90011-080	Screw #6-32 X .37 Ph Pan B 18/8	5
6	91001-280	Union Nut	1
7	76002-023	Retainer Sensor Cap	1
8	90006-550	Cap Sensor Body SS	1
9	90012-208	Switch Overlay F-2000	1
10	71000-356	Cover F-2000 W/ Switch Overlay	1
11	90006-592	Gasket F-2000 Housing Neoprene	1
12	90010-227	Circuit Board F-2000 Rt	1
13	KIT-AO	Kit Circuitry Model F-2000 AO	1
14	KIT-PB	Kit Circuitry Model F-2000 PB	1
14	KIT-PC	Kit Circuitry Model F-2000 PC	1
15	90011-155	Screw #6-32 X .31 Ph Pan SS	4
16	76001-150	Enclosure F-2000 Panel Mount	1

Item	Model No.	Product Name	Qty. Req.
17	90006-593	Gasket F-2000 1/4 Din Panel Mount	1
18	90008-331	Cap Plug P-48 1/2 Npt Red F-2000	1
19	71000-294	Kit F-2000 1/4 Din Panel Mount	1
20	71000-730	Connector Liquid-Tight 1/2 In.	2
21	A-033N	Connector Liquid-Tight 3/4 In.	1
22	90008-332	Plug 1/2 In.	2
23	90008-340	Cap Plug Vtp-25 Red	1
24	90011-038	Stud Screw #10-32 1.62 Long	2
25	90011-092	Star Washer #10-32	2
26	90011-026	Hex Nut #10-32	2
27	90008-333	Plug 7/8 In.	1
28	90013-261	Foam Pad 1/4 In. Thick	1
29	90008-254	Battery Clip	1
30	90010-233	Battery Holder F-2000 4x AA	1
31	90008-330	Battery alkaline AA	4
32	90008-336	Power Supply 115VAC/15VDC	1
	71010-072	Power Supply 220VAC/15VDC Europe	1
	71000-310	Power Supply 230VAC/15VDC	1
N/S	F-900K	Service Removal Plug	\$16.05

F-1000 & F-2000 Pipe Fittings

Polypropylene Molded In-Line Pipe Fittings -

Pipe Size	GPM Range	LPM Range	Max. PSI Drop	Model Number	
				American M/NPT	British Pipe M/BSPT
3/8"	.8 - 8	3 - 30	2.3	38M1	38MB1
3/8"	.4 - 4	1 - 10	8.7	38M2	38MB2
1/2"	2 - 20	7 - 70	3.5	50M1	50MB1
3/4"	3 - 30	11 - 110	1.9	75M1	75MB1
1"	5 - 50	20 - 200	1.6	10M1	10MB1
1 1/2"	6 - 60	25 - 250	1.0	15M2	15MB2
2"	10 - 100	40 - 400	0.9	20M3	20MB3
2"	20 - 200	70 - 700	1.0	20M4	20MB4

Pipe sizes: 3/8" - 2" M/NPT

MOLDED IN-LINE FEATURES

- One piece injection molded construction
- Male pipe thread In-line installation
- Polypropylene fittings for standard applications

MOLDED IN-LINE SPECIFICATIONS

- Max PSI** - 300 psi (20 bar) @ 70F (21C)
- Max Temp** - 200F (93C) @ 0 psi

20M3
Polypropylene



Standard Saddle Mount Pipe Fittings -

Pipe Size	GPM Range	LPM Range	Material	Model Number	
				Schedule 40	Schedule 80
1 1/2"	15 - 150	60 - 600	PVDF	15K4/S4	15K8/S8
2"	30 - 300	100 - 1000	PVDF	20K4/S4	20K8/S8
2 1/2"	40 - 400	150 - 1500	PVC	25A4/S4	25A8/S8
3"	60 - 600	250 - 2500	PVDF	30K4/S4	30K8/S8
4"	100 - 1000	400 - 4000	PVC	40A4/S4	40A8/S8
6"	250 - 2500	900 - 9000	PVC	60A4/S4	60A8/S8
8"	400 - 4000	1600 - 16000	PVC	80A4/S4	80A8/S8
10"	600 - 6000	2400 - 24000	PVC	100A4/S4	100A8/S8
12"	800 - 8000	3200 - 32000	PVC	120A4/S4	120A8/S8

Pipe sizes: 1-12" (50-315mm)

SADDLE FEATURES

- 1 1/2" - 3" (50-90mm) injection molded PVDF
- 4" - 12" (110 - 315mm) machined PVC
- Installs on existing pipe - no other fittings required
- No added pressure drop to system

SADDLE SPECIFICATIONS

- Max PSI** - 300 psi (20 bar) @ 70F (21C)
- Max Temp** - (PVDF) 200F (93C) @ 0 psi
(PVC) 140F (60C) @ 0 psi

*Saddle Mount pipe fittings include: alignment tool, o-rings, clamps, and union nut.

Metric Saddle Mount Pipe Fittings -

DIN 8062	LPM Range	Material	Model Number	
			METRIC PN10	METRIC PN16
50mm	70 - 700	PVDF	05K0/P0	05K6/P6
63mm	110 - 1100	PVDF	06K0/P0	06K6/P6
75mm	150 - 1500	PVC	07A0/P0	07A6/P6
90mm	230 - 2300	PVDF	09K0/P0	09K6/P6
110mm	350 - 3500	PVC	11A0/P0	11A6/P6
160mm	720 - 7200	PVC	16A0/P0	16A6/P6
200mm	1150 - 11500	PVC	20A0/P0	20A6/P6
250mm	1700 - 17000	PVC	25A0/P0	
315mm	2700 - 27000	PVC	31A0/P0	

15K8
PVDF



80A4
PVC

*Saddle Mount pipe fittings include: alignment tool, o-rings, clamps, and union nut.

PVC TEE Pipe Fittings -

Pipe Size	GPM Range	LPM Range	Material	Model Number
1"	6 - 60	25 - 250	PVC	10AT
1 1/2"	15 - 150	60 - 600	PVC	15AT
2"	30 - 300	100 - 1000	PVC	20AT
3"	60 - 600	230 - 2300	PVC	30AT



20AT
PVC

Pipe sizes: 1-3"

TEE FEATURES

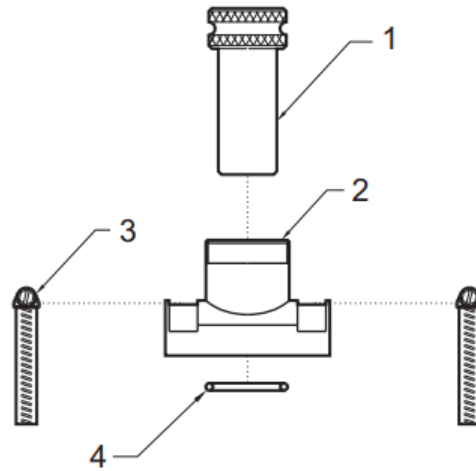
- Easy to install
- No added pressure drop to system

TEE SPECIFICATIONS

- Max PSI** - 200 psi (13.8 bar) @ 70F (21C)
- Max Temp** - 140F (60C) @ 0 psi

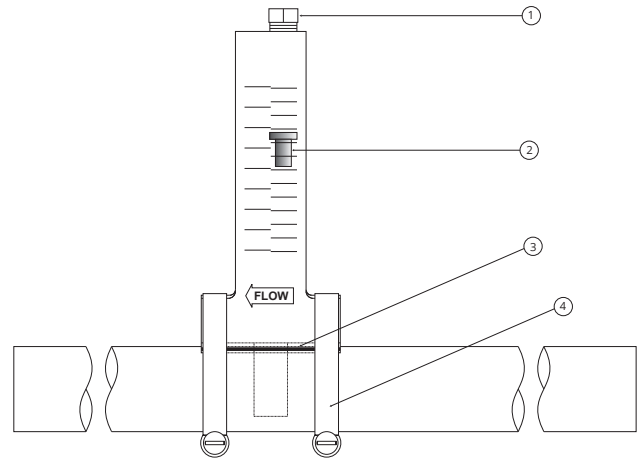
F-1000/F-2000 Fittings Replacement Parts

Item	Model No.	Product Name	Qty. Req.
1	76000-830	Alignment/Service Tool	1
2		See Pipe Fitting Kits, previous page	1
3	F-3028	Clamp #28, for 1.5" pipe	2
	F-3040	Clamp #40, for 2" pipe	2
	F-3048	Clamp #48, for 2.5" pipe	2
	F-3025	Clamp #52, for 3" pipe	2
	F-3072	Clamp #72, for 4" pipe	2
	F-3116	Clamp #116, for 6" pipe	2
	F-3152	Clamp #152, for 8" pipe	2
	F-3188	Clamp #188, for 10" pipe	2
	F-3224	Clamp #224, for 12" pipe	2
4	90003-108	O-ring / FKM for 1.5", 2", 3"	1
	90003-114	O-ring / FKM for 2.5", 4", 6", 8", 10", 12"	1
	90003-109	O-ring / EP for 1.5", 2", 3"	1
	90003-135	O-ring / EP for 2.5", 4", 6", 8", 10", 12"	1



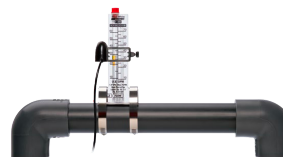
F-300 Replacement Parts

Item	Model No.	Product Name	Qty. Req.
1	F-3005	Cap Plug For all F-300, D-300 & U-300	1
2	F-3020	Long Float, red PVDF 1" through 1.25"	1
	F-3022	Short Float, red PVDF 1.5" through 8"	1
3	F-3003	Gasket Seal 1" through 4"	1
	F-3004	Gasket Seal 6" through 8"	1
4	90008-667	Mounting Clamp F-30100P, F-30125P	2
	90008-652	Mounting Clamp F-30200P, F-30150P	2
	90008-013	Mounting Clamp D-30150P, U-30150P	2
	90008-668	Mounting Clamp F-30250P	2
	90008-015	Mounting Clamp D-30200P, U-30200P	2
	90008-669	Mounting Clamp F-30300P	2
	90008-673	Mounting Clamp F-30400P	2
	90008-674	Mounting Clamp F-30600P	2
	90008-675	Mounting Clamp F-30800P	2



F-300S Flow Switch

MODEL NO.	PIPE SIZES	LIST PRICE
F-300S	1" - 2"	\$95.15
F-300SL	2-1/2" - 4"	\$95.15



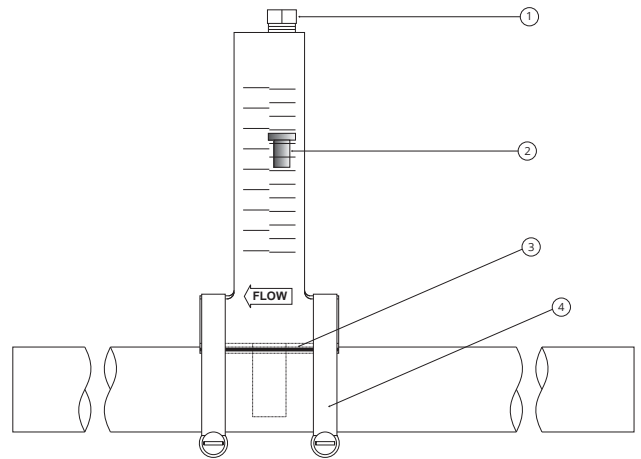
1 1/2" I.P.S



F-300S FLOW SWITCH

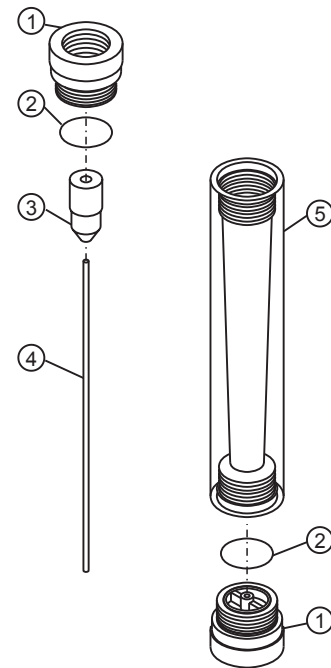
F-300M Replacement Parts

Item	Model No.	Product Name	Qty. Req.
1	F-3005	Cap Plug F-300M	1
2	F-3020	Long Float, Red PVDF (32mm, 50mm, 75mm, 90mm)	1
	F-3022	Short Float, Red PVDF (63mm)	1
	F-3001	Float, SS (110mm)	1
3	F-3003	Gasket Seal	1
4	90008-010	Mounting Clamp F-30032M	2
	90008-137	Mounting Clamp F-30050M	2
	90008-137	Mounting Clamp F-30063M	2
	90008-014	Mounting Clamp F-30075M	2
	90008-016	Mounting Clamp F-30090M	2
	90008-018	Mounting Clamp F-30110M	2



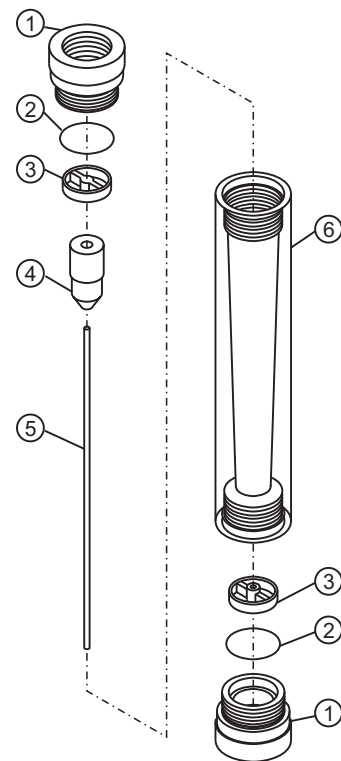
F-400 Replacement Parts

Item	Model No.	Product Name	Qty. Req.
1	F-4019	1/4" FPT Adapter (PP)	2
	F-4001NS	3/8" FPT Adapter (PP)	2
	F-4003NS	1/2" FPT Adapter (PP)	2
2	90003-119	O-ring, 117, (Viton)	2
	90003-142	O-ring, 117, (EP)	2
3	-	Float (SS)	1
4	F-4004	Guide wire, (SS)	1
5	-	Meterbody (Acrylic)	1



F-410 Replacement Parts

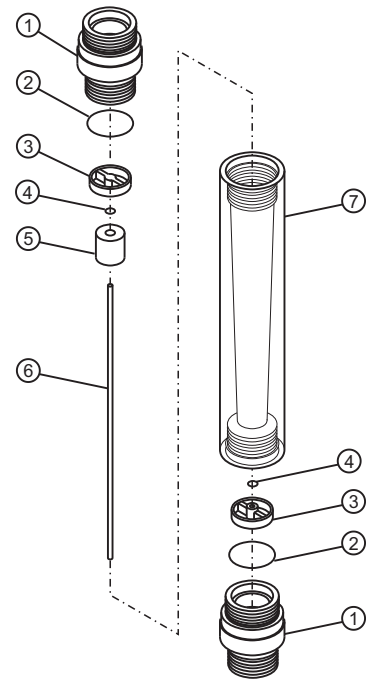
Item	Model No.	Product Name	Qty. Req.
1	F-4009N	3/4" FPT Adapter (PP)	2
	F-4011	1" FPT Adapter (PP)	2
2	90003-671	O-ring, 124 (Viton)*	2
	90003-670	O-ring, 124 (EP-Blue)*	2
3	F-4013PP	Wire holder (PP)	2
4	-	Float (SS)	1
5	F-4012	Guide Wire (SS)	1
6	-	Meterbody (Acrylic)	1



* Contact factory for assistance on flow meters purchased prior to 7/10/2024, which use adapter and o-rings with different tolerances.

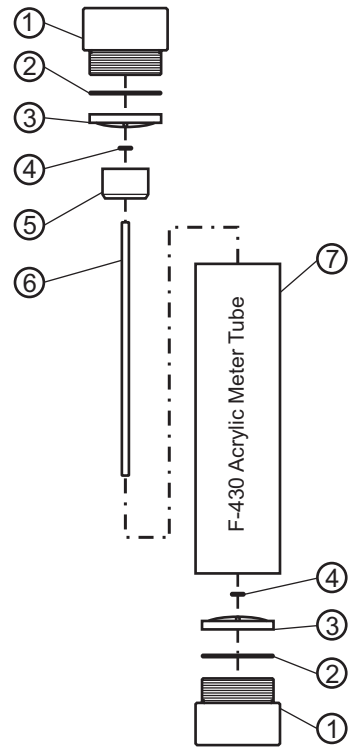
F-420 Replacement Parts

Item	Model No.	Product Name	Qty. Req.
1	76001-028	1.0" FPT Adapter (PVC)	2
	76001-026	1.5" MPT Adapter (PVC)	2
2	2-127V	O-ring, 127 (Viton)	2
	90003-154	O-ring, 127 (EP)	2
3	91001-159	Wire holder (PSF)	2
4	2-006A	O-ring, 006 (Aflas)	2
	2-006EB	O-ring, 006 (EP)	2
5	-	Float (SS)	1
6	F-4212	Guide Wire (SS)	1
7	-	Meterbody (Acrylic)	1



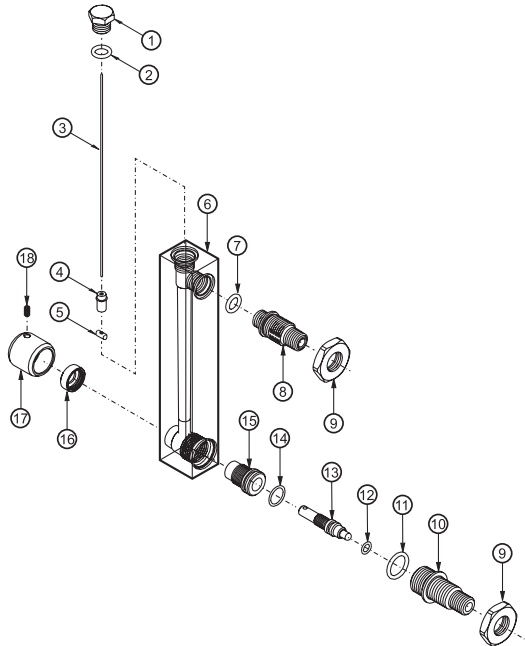
F-430 Replacement Parts

Item	Model No.	Product Name	Qty. Req.
1	76001-226	1.5" female NPT adapter (PVC)	2
	76001-216	2" female NPT adapter (PVC)	2
2	90003-118	O-ring, 142 (Viton)	2
	90003-151	O-ring, 142 (EP)	2
3	91001-198	Wire Holder (PSF)	2
4	90003-140	O-ring, 108 (Aflas)	2
	2-108EB	O-ring, 108 (EP)	2
5	-	Float (SS)	1
6	90007-626	Guidewire (SS)	1
7	-	Meterbody (Acrylic)	1



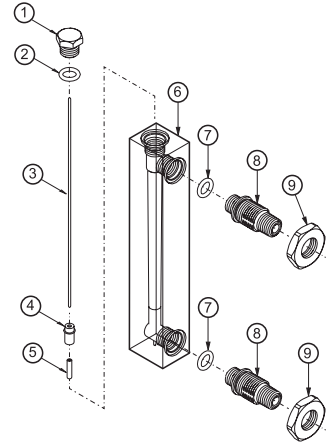
F-550 Replacement

Item	Product Name	F-55250LA	F-55375LA F-55376LA	F-55500LA	F-55750LA	F-55005LA, F-55010LA F-55015LA, F-55200LA	Qty. Req.
1	Cap	76001-080	91001-032	91001-032	91001-033	91001-160	1
2	O-ring (cap), Viton	90003-072	90003-081	90003-081	90003-082	90003-079	1
	O-ring (cap), EP	90003-574	90003-038	90003-038	90003-039	90003-058	1
3	Guide wire	76001-108	76001-109	76001-109	76001-110	76001-111	1
4	Float	-	-	-	-	-	1
5	Float stop bottom	-	-	-	-	-	1
6	Body	-	-	-	-	-	1
7	O-ring, Viton (adapter)	90003-072	90003-034	90003-034	90003-081	90003-644	1
	O-ring, EP (adapter)	90003-574	90003-033	90003-033	90003-038	90003-645	1
8	Adapter	76001-079	91001-141	91001-142	91001-143	91001-144	1
9	Lock nut	91001-153	91001-153	91001-154	91001-171	91001-172	2
10	Inlet Adapter	76001-153	91001-173	91001-174	91001-175	91001-176	1
11	O-ring, Viton (inlet adapter)	90003-034	90003-045	90003-045	90003-644	90003-082	1
	O-ring, EP (inlet adapter)	90003-033	90003-610	90003-610	90003-645	90003-039	1
12	O-ring, Viton (valve stem)	90003-004	90003-010	90003-010	90003-072	90003-113	1
	O-ring, EP (valve stem)	90003-598	90003-597	90003-597	90003-574	90003-633	1
13	Valve stem	76001-082	76001-088	76001-088	76001-094	76001-104	1
14	O-ring, Viton (valve body)	90003-014	90003-081	90003-081	90003-017	90003-021	1
	O-ring, EP (valve body)	90003-600	90003-038	90003-038	90003-016	90003-020	1
15	Valve body	76001-081	76001-086	76001-086	76001-093	76001-103	1
16	Retainer cap	76001-084	76001-090	76001-090	76001-095	76001-106	1
17	Knob valve	76001-083	76001-089	76001-089	76001-097	76001-105	1
18	Set screw	90011-056	90011-117	90011-117	90011-117	90011-117	1



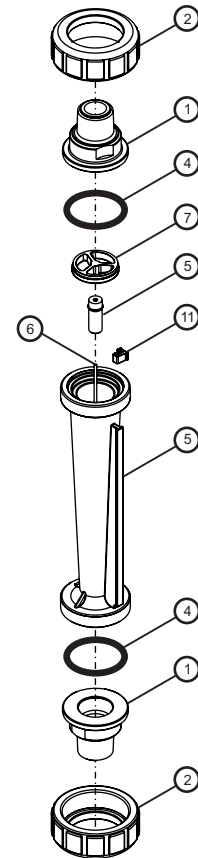
F-550 Replacement

Item	Product Name	F-55250L	F-55375L F-55376L	F-55500L	F-55750L	F-55005L, F-55010L F-55015L, F-55200L	Qty. Req.
1	Cap	76001-080	91001-032	91001-032	91001-033	91001-160	1
2	O-ring (cap), Viton	90003-072	90003-081	90003-081	90003-082	90003-079	1
	O-ring (cap), EP	90003-574	90003-038	90003-038	90003-039	90003-058	1
3	Guide wire	90007-634	90007-534	90007-534	90007-535	90007-606	1
4	Float	-	-	-	-	-	1
5	Float stop bottom	-	-	-	-	-	1
6	Body	-	-	-	-	-	1
7	O-ring, Viton (adapter)	90003-072	90003-034	90003-034	90003-081	90003-644	2
	O-ring, EP (adapter)	90003-574	90003-033	90003-033	90003-038	90003-6445	2
8	Adapter	76001-079	91001-141	91001-142	91001-143	91001-144	2
9	Lock nut	91001-153	91001-153	91001-154	91001-171	91001-172	2



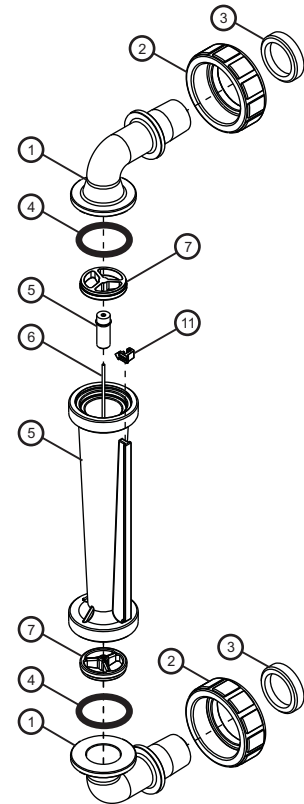
F-440 (In-Line) Replacement Parts

Item	Model No.	Product Name	Qty. Req.
1	F-44N07	3/8" Male NPT in-line adapter, Polysulfone	2
	F-44N08	1/2" Male NPT in-line, Polysulfone	2
	F-44N09	3/4" Male NPT in-line, Polysulfone, large body (750 model)	2
	F-45N013	1/2" Male NPT in-line, Polysulfone, large body (750 model)	2
2	F-44N05	3/8" and 1/2" Half Union, Nylon	2
	F-44N06	3/4" Half Union, Nylon	2
4	90003-152	3/8" and 1/2" O-ring seal, Viton	2
	90003-627	3/8" and 1/2" O-ring seal, EP	2
	90003-082	3/4" O-ring seal, Viton (750 model)	2
	F-5026X	3/4" O-ring seal, EP (750 model)	2
5	N/A	Meterbody and Float (contact factory)	1
6	F-44N14	3/8" and 1/2" Guide Rod, 316 Stainless Steel	1
	F-44N15	3/4" Guide Rod, 316 Stainless Steel (750 model)	1
7	F-45N007	1/2" Guide Rod holder, Polysulfone	2
	F-45N019	3/4" Guide Rod holder, Polysulfone (750 model)	2
11	F-45N043	Indicator, Red	1



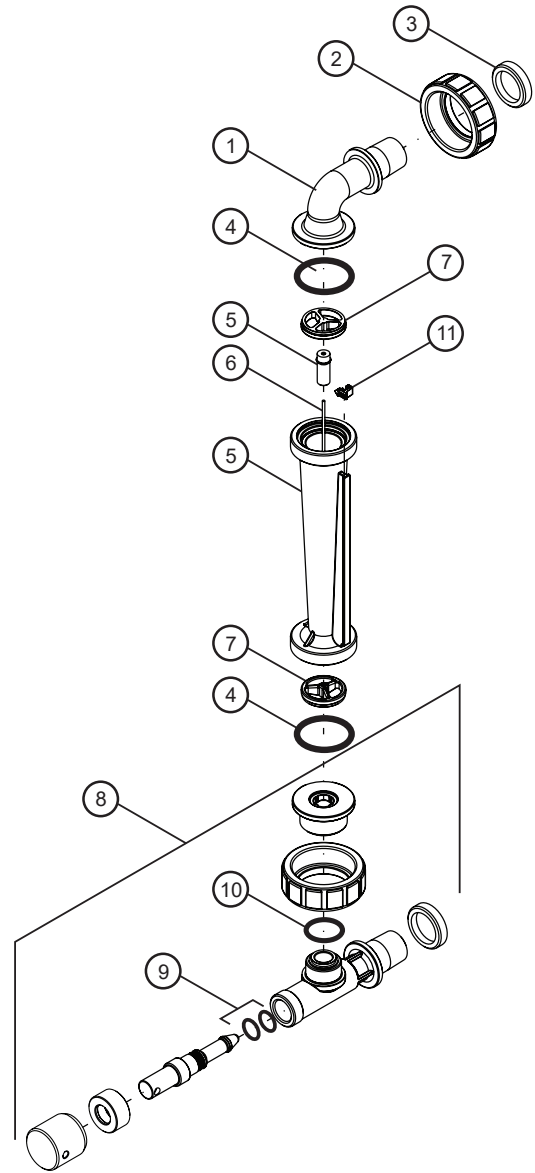
F-440E Elbow (Panel Mount) Replacement Parts

Item	Model No.	Product Name	Qty. Req.
1	F-44N40	3/8" Male NPT 90° Elbow, Polysulfone	2
	F-44N20	1/2" Male NPT 90° Elbow, Polysulfone	2
	F-44N21	3/4" Male NPT 90° Elbow, Polysulfone (750 model)	2
	F-44N42	1/2" Male NPT 90° Elbow, Polysulfone (750 model)	2
2	F-44N05	3/8" and 1/2" Half Union, Nylon	2
	F-44N06	3/4" Half Union, Nylon	2
3	F-4427A	3/8" and 1/2" Panel mount lock nut	2
	F-4428A	3/4" Panel mount lock nut	2
4	90003-152	3/8" and 1/2" O-ring seal, FKM	2
	90003-627	3/8" and 1/2" O-ring seal, EP	2
	90003-082	3/4" O-ring seal, FKM (750 model)	2
	F-5026X	3/4" O-ring seal, EP (750 model)	2
5	N/A	Meterbody and Float (contact factory)	1
6	F-44N14	3/8" & 1/2" Guide Rod, 316 SS	1
	F-44N15	3/4" Guide, 316 SS (750 model)	1
7	F-45N007	1/2" Guide Rod holder, Polysulfone	2
	F-45N019	3/4" Guide Rod holder, Polysulfone (750 model)	2
11	F-45N043	Indicator, Red	1



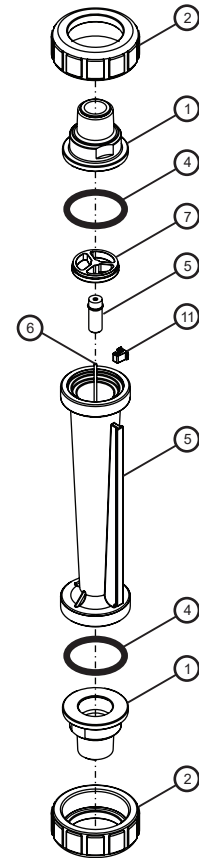
F-440A - Adjustable (Panel Mount)

Item	Model No.	Product Name	Qty. Req.
1	F-44N40	3/8" Male NPT 90° Elbow, Polysulfone	2
	F-44N20	1/2" Male NPT 90° Elbow, Polysulfone	2
	F-44N21	3/4" Male NPT 90° Elbow, Polysulfone (750 model)	2
	F-44N42	1/2" Male NPT 90° Elbow, Polysulfone (750 model)	2
2	F-44N05	3/8" and 1/2" Half Union, Nylon	2
	F-44N06	3/4" Half Union, Nylon	2
3	F-4427A	3/8" and 1/2" Panel mount lock nut	2
	F-4428A	3/4" Panel mount lock nut	2
4	90003-152	3/8" and 1/2" O-ring seal, FKM	2
	90003-627	3/8" and 1/2" O-ring seal, EP	2
	90003-082	3/4" O-ring seal, FKM (750 model)	2
	F-5026X	3/4" O-ring seal, EP (750 model)	2
5	N/A	Meterbody and Float (contact factory)	1
6	F-44N14	3/8" & 1/2" Guide Rod, 316 SS	1
	F-44N15	3/4" Guide Rod, 316 SS (750 model)	1
7	F-45N007	1/2" Guide Rod holder, Polysulfone	2
	F-45N019	3/4" Guide Rod holder, Polysulfone (750 model)	2
8	F-44N40-1	3/8" M/NPT Valve Assm. Sm, Poly, FKM seal	1
	F-44N40-2	1/2" M/NPT Valve Assm. Sm, Poly, FKM seal	1
	F-45N031-2	1/2" M/NPT Valve Assm. Lg, Poly, FKM seal (750 model)	1
	F-45N031-3	3/4" M/NPT Valve Assm. Lg, Poly, FKM seal (750 model)	1
9	90003-010	O-Ring, FKM	2
	90003-597	O-Ring, EP	2
10	90003-071	O-Ring, FKM	1
	90003-018	O-Ring, EP	1
11	F-45N043	Indicator, Red	1



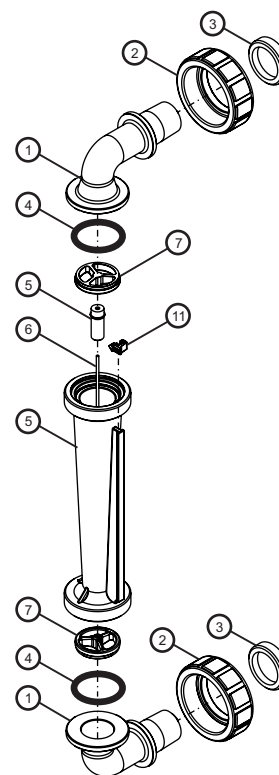
F-450 (In-Line) Replacement Parts

Item	Model No.	Product Name	Qty. Req.
1	F-45N011-2	3/8" Male NPT in-line adapter, Polysulfone	2
	F-45N013	1/2" Male NPT in-line, Polysulfone	2
	F-44N09	3/4" Male NPT in-line, Polysulfone	2
2	F-44N06	3/4" Half Union, Nylon	2
4	90003-082	3/4" O-ring seal, Viton	2
	90003-039	3/4" O-ring seal, EP	2
5	N/A	Meterbody and Float (contact factory)	1
6	F-45N005	F-45375, F-45376, F-45500 Guide Rod 316 SS	1
	F-45N021	F-45750 Guide Rod, 316 SS	1
7	F-45N019	Guide Rod holder, Polysulfone	2
11	F-45N043	Indicator, Red	1



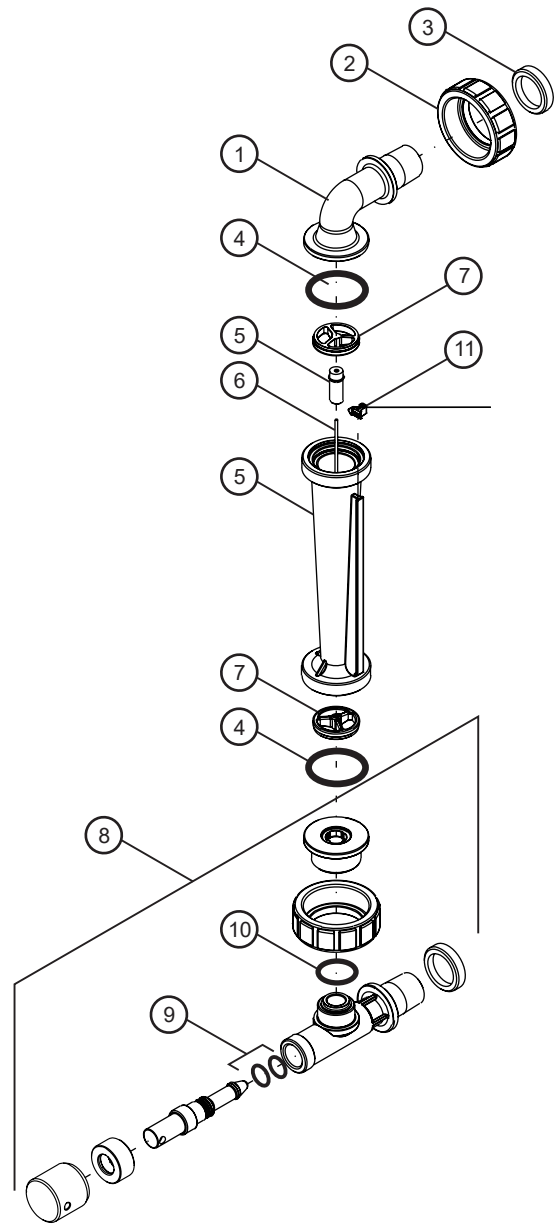
F-450NE Elbow (Panel Mount) Replacement Parts

Item	Model No.	Product Name	Qty. Req.
1	F-44N41	3/8" Male NPT 90° Elbow, Polysulfone	2
	F-44N42	1/2" Male NPT 90° Elbow, Polysulfone	2
	F-44N21	3/4" Male NPT 90° Elbow, Polysulfone	2
2	F-44N06	3/4" Half Union, Nylon	2
3	F-4427A	3/8" and 1/2" Panel mount lock nut	2
	F-4428A	3/4" Panel mount lock nut	2
4	90003-082	O-ring seal, Viton	2
	90003-039	O-ring seal, EP	2
5	N/A	Meterbody and Float (contact factory)	1
6	F-45N005	45375, F-45376, F-45500 Guide Rod 316 SS	1
	F-45N021	F-45750 Guide Rod, 316 SS	1
7	F-45N019	Guide Rod holder, Polysulfone	2
11	F-45N043	Indicator, Red	1



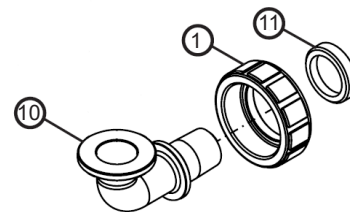
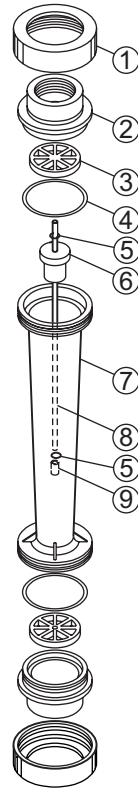
F-450NA Adjustable (Panel Mount)

Item	Model No.	Product Name	Qty. Req.
1	F-44N41	3/8" Male NPT 90° Elbow, Polysulfone	1
	F-44N42	1/2" Male NPT 90° Elbow, Polysulfone	1
	F-44N21	3/4" Male NPT 90° Elbow, Polysulfone	1
2	F-44N06	3/4" Half Union, Nylon	1
3	F-4427A	3/8" and 1/2" Panel mount lock nut	1
	F-4428A	3/4" Panel mount lock nut	1
4	90003-082	O-ring seal, Viton	2
	90003-039	O-ring seal, EP	2
5	N/A	Meter body and Float (contact factory)	1
6	F-45N005	F-45375, F-45376, F-45500 Guide Rod, 316 SS	1
	F-45N021	F-45750 Guide Rod, 316 SS	1
7	F-45N019	Guide Rod holder, Polysulfone	2
8	F-45N031-1	3/8" M/NPT Needle Valve Assm. large, Poly, Viton Seals	1
	F-45N031-2	1/2" M/NPT Needle Valve Assm. large, Poly, Viton Seals	1
	F-45N031-3	3/4" M/NPT Needle Valve Assm. large, Poly, Viton Seals	1
9	90003-010	O-ring, Viton	2
	90003-597	O-ring, EP	2
10	90003-071	O-ring, Viton	1
	90003-018	O-ring, EP	1
11	F-45N043	Indicator, Red	1



F-451 Replacement Parts

Item	Model No.	Product Name	Qty. Req.
1	F-45038N	Union Nut	2
2	F-45030N	Adapter, vertical, 1" F/NPT (PSF)	2
	F-45036	Adapter, vertical, 1-1/2" M/NPT (PVC)	2
3	F-45025	Wireholder 1-10, 2-20 (PSF)	2
	F-45025-2	LG Wireholder 3-30, 4-40 (PSF)	2
4	2-135V	O-Ring 2-135 (Viton)	2
	2-135EB	O-Ring 2-135 (EP)	
5	2-006A	Float Stop .5-6, 1-10, 2-20 (Aflas)	2
	2-006E	Float Stop .5-6, 1-10, 2-20 (EP)	2
	2-008V	Large Float Stop, 3-30, 4-40 (Aflas)	2
	2-008E	Large Float Stop, 3-30, 4-40 (EP)	2
6	-	Float (SS) (contact factory)	1
7	-	Meterbody (PSF) (contact factory)	1
8	F-45028	Guide Wire, .5-6, 1-10, 2-20, (SS)	1
	F-45028-2	Guide Wire, 3-30, 4-40 (SS)	1
9	F-45046	Wireholder Bottom (PSF)	1
10	F-45031	1" Male NPT 90° Elbow, Polysulfone	2
11	F-45032	Panel Mount Lock Nut, PVC	2

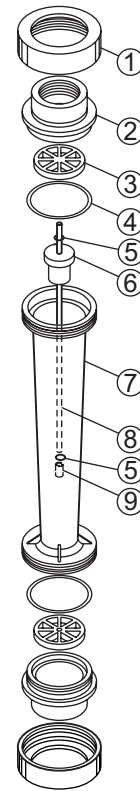


Panel Mount Elbow Option

F-452 Replacement Parts

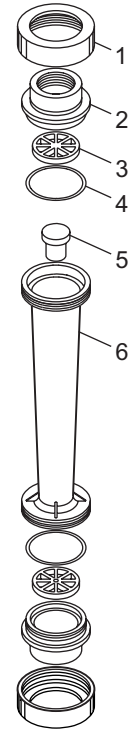
Item	Model No.	Product Name	Qty. Req.
1	F-452004N	Union Nut (Nylon)	2
2	F-452330N	2.0" FNPT Adapter (PSF)	2
3	F-452002	Wireholder (PSF)	2
4	F-452043N	O-ring (Viton)	2
	F-452043NE	O-ring (EP)	2
5	2-108A	O-ring (Aflas)	2*
	2-108EB	O-ring (EP)	2*
6	-	Float (SS) (contact factory)	1
7	-	Meterbody (PSF) (contact factory)	1
8	F-452287N	Guide Wire (SS)	1
9	F-452332	Float Stop (Polyethylene)	2*

* Actually Qty may depend on specific model.



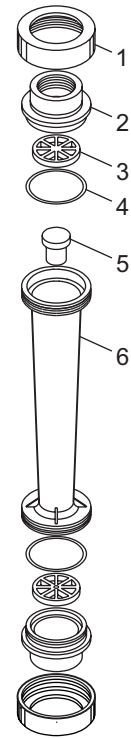
F-460 Replacement Parts

Item	Model No.	Product Name	Qty. Req.
1	76001-012	Union Nut (PVC)	2
	90007-158	Union Nut (ALUM)	2
2	76001-037	.50" FPT Adapter (PVC)	2
	76001-004	.50" FPT Adapter (PVDF)	2
	76001-042	.75" FPT Adapter (PVC)	2
	76000-982	.75" FPT Adapter (PVDF)	2
3	91001-146	Float Stop (PSF)	2
4	90003-023	O-ring (Viton)	2
	90003-022	O-ring, (EP)	2
5	-	Float (PTFE) (contact factory)	1
6	-	Body (PSF) (contact factory)	1



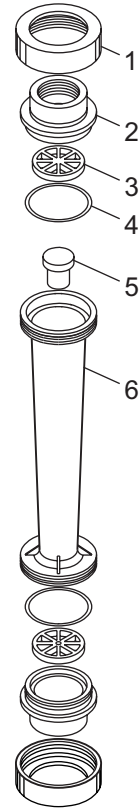
F-461 Replacement Parts

Item	Model No.	Product Name	Qty. Req.
1	76001-330	Union Nut (PVC)	2
	90007-640	Union Nut (ALUM)	2
2	76001-260	1.0" FPT Adapter (PVC)	2
	76001-259	1.0" FPT Adapter (PVDF)	2
3	91001-159	Float Stop (PSF)	2
4	90003-134	O-ring (Viton)	2
	90003-138	O-ring (EP)	2
5	-	Float (PTFE) (contact factory)	1
6	-	Body (PSF) (contact factory)	1



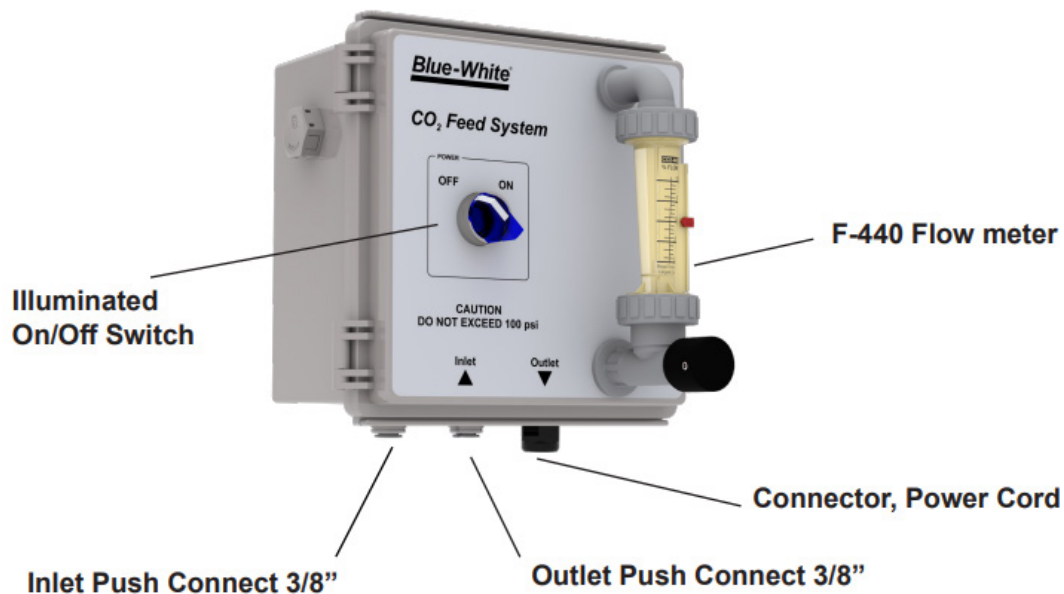
F-462 Replacement Parts

Item	Model No.	Product Name	Qty. Req.	
1	F-452004N	Union Nut (Nylon)	2	
2	F-452330N	2.0" Adapter FNPT (PSF)	2	
3	F-452002	Float Stop (PSF)	2	
4	F-452043N	O-Ring (Viton)	2	
	F-452043NE	O-ring (EP)	2	
5	-	Float (PTFE) (contact factory)	2	N/A
6	-	Meterbody (PSF) (contact factory)	1	N/A



CO₂ Feed System Replacement Parts

Item	Part No.	Description	Qty. Req.
1	90010-731	On/Off Switch, Illuminated	1
2	71010-935	F-440 Flow Meter	1
3	90018-022	3/8 in. Polyurethane Tubing	1
4	90018-010	Push Connector, Elbow	2
5	90010-733	Solenoid Valve, SS	1
6	90010-110	Power Cord, 6 ft	1
7	90008-035	Connector, Liquid Tight, Power Cord	1
8	90018-009	Push Connector, Inlet/Outlet	2



Notes:

